

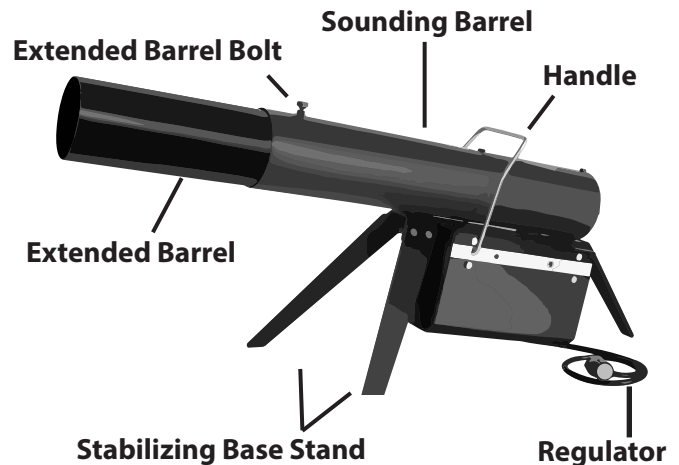
## Included In Your Package

- G5 Propane Cannon w/ Telescoping Barrel
- Attached Hose and Regulator
- Stabilizing Base Stands
- Hardware & Clamping Bolt (Extended Barrel)

## Before Getting Started

### Important Safety Precautions

- Read entire manual before use.
- Never use the cannon indoors.
- **Always wear ear protection while operating the cannon.** Without ear protection, temporary or permanent hearing loss may occur.
- The cannon should be placed on flat ground, pointing in the same direction as the wind. This will maximize sound coverage and effectiveness, and help prevent debris from entering the barrel.
- Do not place any objects inside the barrel, and always check that the barrel is free of debris before operating the cannon. Never stand in front of the cannon or look into the barrel while the cannon is in use.
- The propane tank should always be standing upright, and never placed in front of the cannon barrel.
- Keep the cannon and propane tank away from any flammable material, and keep clear of any heat sources. If you plan on placing the cannon on top of grass, first lay a non-flammable material down to cover the grass before using the cannon.
- **If there is a fire, close the valve of the propane tank and extinguish it with a dry-chemical fire extinguisher.**



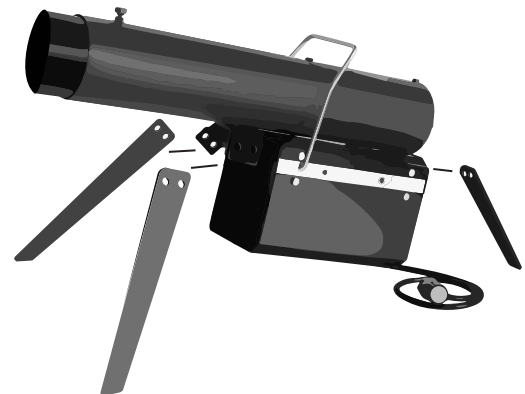
## 1. Assembling your G5 Propane Cannon

Attach the right and left base stands, and the short square-bottom back base stand using the supplied screws.

Loosen the extended clamping bolt and adjust the extended barrel to the desired length and re-secure the bolt through one of the pre-drilled holes.

Connect the gas regulator to any standard 20 lb propane (LP) tank by inserting the coupler into the propane tank's valve and fastening securely. This must be a clean, secure connection for proper operation.

**NOTE:** An extended barrel creates louder sound output.



## 2. Operating your G5 Propane Cannon

After placing the cannon in the intended area of use, check for gas leaks at each connection point. There should be no presence of gas with the propane supply tank fully open.

Blast frequency is set by adjusting the knob position on the provided regulator. Use the indicator lines (+ to -) on the control knob to adjust the blast frequency between 2 minutes to 30 minutes. Turning the control knob fully counterclockwise (+) increases the gas flow and decreases the time between blast intervals. The minimum time between blasts is approximately 2 minutes. Turning the control knob fully clockwise (-) decreases the gas flow and increases the time between blast intervals. The maximum time between blasts is approximately 30 minutes.

Fully open the valve on the propane tank. The initial 2-3 blasts may sound weak; however, subsequent blasts will resound at 80-120 decibels depending on the extension of the barrel.

A 20 lb. propane tank will supply approximately 17,000 detonations.

To stop the cannon from firing, simply close the valve on the propane tank.

To start the cannon operating again, re-open the valve on the propane tank. The blast frequency will continue under the same conditions previously set on the control knob.

## Tips for Best Results

Periodically changing the location of the cannon will increase its effectiveness. We recommend using the cannon in combination with visual scare devices and other repellents in order to create a multi-sensory deterrent system.

Although the cannon works with both propane and butane gas, propane is recommended for temperatures below 46°F (8°C), as butane does not work in colder conditions.

**NOTE:** If birds and other wildlife have water, food, and nesting areas on your property or nearby, it may take longer to repel them from these areas.

## Maintenance & Troubleshooting

Regular maintenance will keep your cannon working at peak performance. It is recommended this be done at least once a month. The built-in piezoelectric ignition system has a working life of about 150,000 sparks, which means an average life of 6–8 years.

The firing axle and other moving parts should be oiled frequently to prevent corrosion. If left unused for an extended period of time, remove any dust that has accumulated on the cannon and oil any moving parts with fine machine oil.

Check for gas leaks at each connection point, including the propane tank valve, gas inlet hose, the membrane to the valve, and around the membrane.

## Troubleshooting

Problem	Possible Cause	Solution
Complete Failure	<ol style="list-style-type: none"> <li>1. Empty propane tank</li> <li>2. Propane tank valve closed</li> <li>3. Regulator valve closed</li> <li>4. Bad connection</li> </ol>	<ol style="list-style-type: none"> <li>1. Use a full tank</li> <li>2. Open valve fully on propane tank</li> <li>3. Open Valve on Regulator</li> <li>4. Reinstall regulator to tank valve</li> </ol>
Leaks	Fittings not tight or damaged components	Check for gas leaks; clean and tighten loose fittings. Damaged components must be replaced.
Diaphragm raises but won't drop	Diaphragm output clogged at gas inlet port on barrel	Clear the port between the cannon barrel and the gas valve output jet.
Weak Explosion	Wind interference	Face the cannon downwind. The first 1–2 blasts may be weak but subsequent blasts will fire at full decibel level for the set configuration.
Diaphragm drops but no explosion	Spark plug	Check spark plug gap. Must be ~3-5mm. Replace spark plug if necessary.

## More Details

### We're Here to Help

Don't worry, we've got you covered! Your cannon is backed by our 1-Year Manufacturer's Warranty, which protects against any defects due to manufacturing. For more information, go to [pestrepellerultimate.com/pages/warranty](http://pestrepellerultimate.com/pages/warranty). Please visit [pestrepellerultimate.com](http://pestrepellerultimate.com) and start a chat with one of our friendly customer service agents, or contact us using the information below.

### Contact Us

**Toll Free:** 1-800-657-8214

**Website:** [pestrepellerultimate.com](http://pestrepellerultimate.com)

**Outside US:** 1-541-245-4488

**Email:** [customerservice@goodlifeinc.com](mailto:customerservice@goodlifeinc.com)