



US00D850221S

(12) **United States Design Patent** (10) **Patent No.:** **US D850,221 S**
Gross et al. (45) **Date of Patent:** **** Jun. 4, 2019**

(54) **NUT MILK MAKER**

URL: <http://www.baristamagazine.com/nut-milk-machine-brewista/>*

(71) Applicant: **Eternal East (HK) Ltd.**, Hong Kong (CN)

(Continued)

(72) Inventors: **Charles Brian Gross**, Cheyenne, WY (US); **Nile Robert Fedewa**, Ft Collins, CO (US)

Primary Examiner — Susan Bennett Hattan
Assistant Examiner — Omeed Agilee
(74) *Attorney, Agent, or Firm* — Polson Intellectual Property Law P.C.; Margaret Polson; Christopher R. Sylvain

(73) Assignee: **ETERNAL EAST (HK) LTD.**, Hong Kong (CN)

(**) Term: **15 Years**

(57) **CLAIM**

(21) Appl. No.: **29/596,849**

The ornamental design for a nut milk maker, as shown and described.

(22) Filed: **Mar. 10, 2017**

(51) **LOC (11) Cl.** **31-00**

(52) **U.S. Cl.**

USPC **D7/665**

(58) **Field of Classification Search**

USPC D7/372-374, 378, 381, 384, 665-668

CPC A47J 19/00; A47J 19/02; A47J 19/025;

A47J 19/027; A23N 1/00; A23N 1/02;

A23N 1/10

See application file for complete search history.

(56) **References Cited**

U.S. PATENT DOCUMENTS

D421,201 S	2/2000	Crescenzi et al.	
D466,363 S	* 12/2002	Dalton	D7/384
D488,344 S	* 4/2004	Seum	D7/384
D560,093 S	* 1/2008	Verdun	D7/384
D625,142 S	10/2010	Moore	

(Continued)

FOREIGN PATENT DOCUMENTS

CN 201330656487 * 12/2013

OTHER PUBLICATIONS

Nut of Course: Non-Dairy Milk Machine Off to the Races. Online, published date Mar. 30, 2017. Retrieved on Feb. 27, 2018 from

DESCRIPTION

FIG. 1 is a front perspective view of a nut milk maker according to our new design.

FIG. 2 is a front side elevation view of FIG. 1.

FIG. 3 is a back side elevation view of FIG. 1.

FIG. 4 is a left side elevation view of FIG. 1.

FIG. 5 is a right side elevation view of FIG. 1.

FIG. 6 is a top plan view of FIG. 1.

FIG. 7 is a bottom plan view of FIG. 1.

FIG. 8 is a front perspective view of the assembled mixing bowls of the nut milk maker of FIG. 1.

FIG. 9 is a front side elevation view of FIG. 8.

FIG. 10 is a back side elevation view of FIG. 8.

FIG. 11 is a left side elevation view of FIG. 8.

FIG. 12 is a right side elevation view of FIG. 8.

FIG. 13 is a top plan view of FIG. 8.

FIG. 14 is a bottom plan view of FIG. 8.

FIG. 15 is an exploded front perspective view of the mixing bowls of the nut milk maker of FIG. 1.

FIG. 16 is a front side elevation view of FIG. 15.

FIG. 17 is a back side elevation view of FIG. 15.

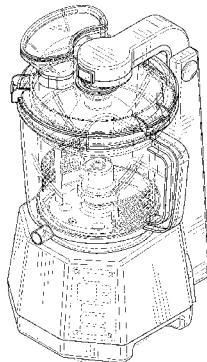
FIG. 18 is a left side elevation view of FIG. 15.

FIG. 19 is a right side elevation view of FIG. 15.

FIG. 20 is a top plan view of FIG. 15; and,

FIG. 21 is a bottom plan view of FIG. 15.

(Continued)



The broken lines in the drawings show environmental structure and form no part of the claimed design.

1 Claim, 21 Drawing Sheets

D809,342	S	*	2/2018	Coakley	D7/413
D812,416	S		3/2018	Carlson		
D815,887	S		4/2018	Huang et al.		
2006/0018189	A1		1/2006	Chang Chein		
2017/0303744	A1		10/2017	Sutton et al.		
2018/0014695	A1*		1/2018	Gross	A23L 25/30

(56)

References Cited

U.S. PATENT DOCUMENTS

D625,143	S	*	10/2010	Moore	D7/376
D625,144	S	*	10/2010	Moore	D7/376
D682,607	S	*	5/2013	Garman	D7/376
D683,578	S	*	6/2013	Nordwall	D7/376
D702,993	S	*	4/2014	Lownds	D7/376
D711,682	S	*	8/2014	Norland	D7/376
D731,234	S		6/2015	Weaden et al.		
D734,979	S		7/2015	Sanguinetti		
D739,679	S	*	9/2015	Benoit	D7/376
D740,621	S	*	10/2015	Fouquet	D7/665
D748,428	S	*	2/2016	Yuan	D7/376
D749,893	S		2/2016	Bazzicalupo et al.		
D758,787	S		6/2016	Ou		
D760,552	S	*	7/2016	Kim	D7/665
D761,617	S		7/2016	Dennisur et al.		
D764,241	S	*	8/2016	Lee	D7/665
D764,863	S	*	8/2016	Lee	D7/373
D784,761	S		4/2017	Tu		
D786,614	S	*	5/2017	Smith	D7/376
D796,896	S	*	9/2017	Blaise	D7/376
D798,101	S		9/2017	Rose et al.		
D799,891	S		10/2017	Lecoutre et al.		
D807,700	S		1/2018	Tu		

OTHER PUBLICATIONS

Owner's manual dated 2006 for Soyabella Model SB-130 automatic soymilk maker and coffee grinder made by Tribest Corporation. 10 pages.

User manual dated 2013 for Oster Designed for Life blenders made by Sunbeam Products, Inc. pp. 1-19.

Instruction and Recipe Booklet dated 2015 for Premier Series 9-Cup Food Processor, DLC-2009M Series, made by Cuisinart. 73 pages.

Owner's manual dated Mar. 20, 2012 for Hamilton Beach Food Processor. pp. 1-12.

Owner's Guide dated Dec. 12, 2006 for Ninja Mega Kitchen System BL770 series sold by Euro-Pro Operating LLC. 24 pages.

Owner's Guide dated Jun. 27, 2012 for Ninja Mega Kitchen System BL772 sold by Euro-Pro Operating LLC. 24 pages.

Owner's manual dated Jan. 18, 2014 for Hamilton Beach Blender. pp. 1-12.

Instruction and Recipe Booklet dated Apr. 29, 2015 for Peanut Butter Maker model NBM400 made by Nostalgia Products. pp. 1-12.

Instruction and Recipe Booklet dated May 2, 2016 for Professional Peanut Butter Maker model PBM500 made by Nostalgia Products. pp. 1-13.

* cited by examiner

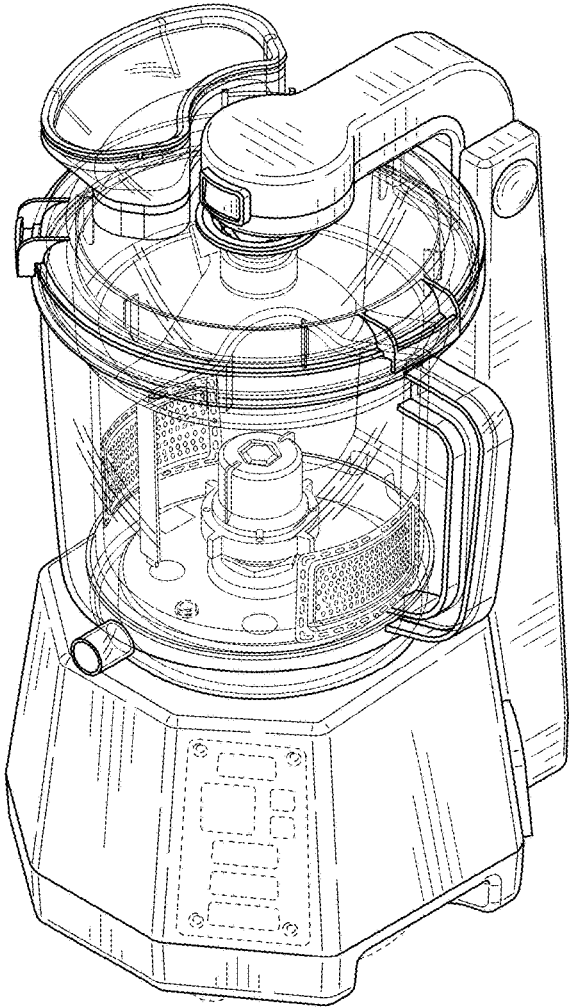


FIG. 1

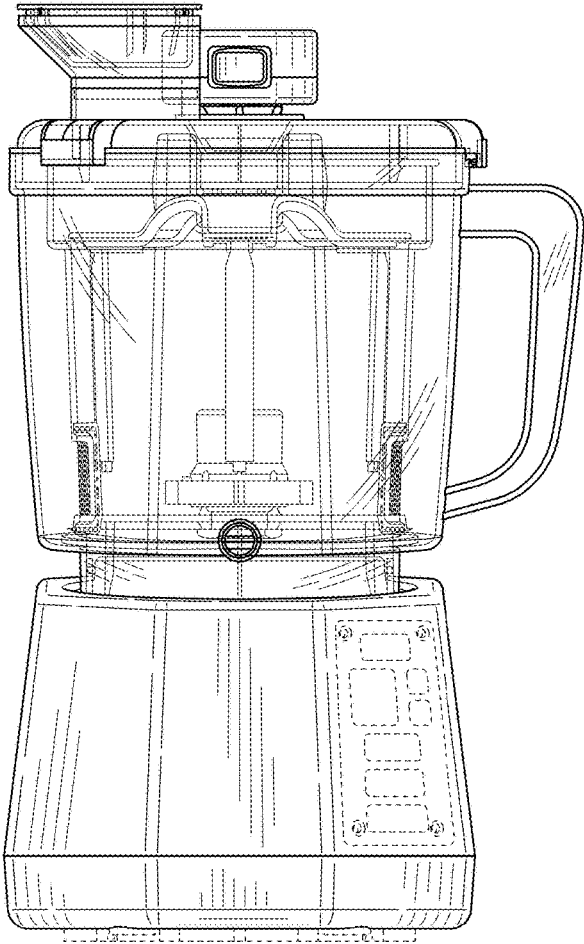


FIG. 2

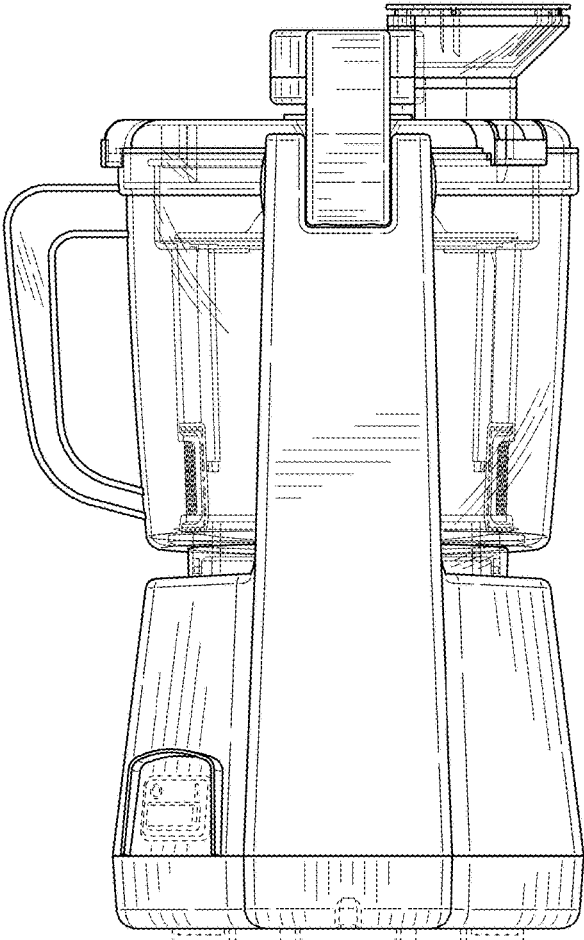


FIG. 3

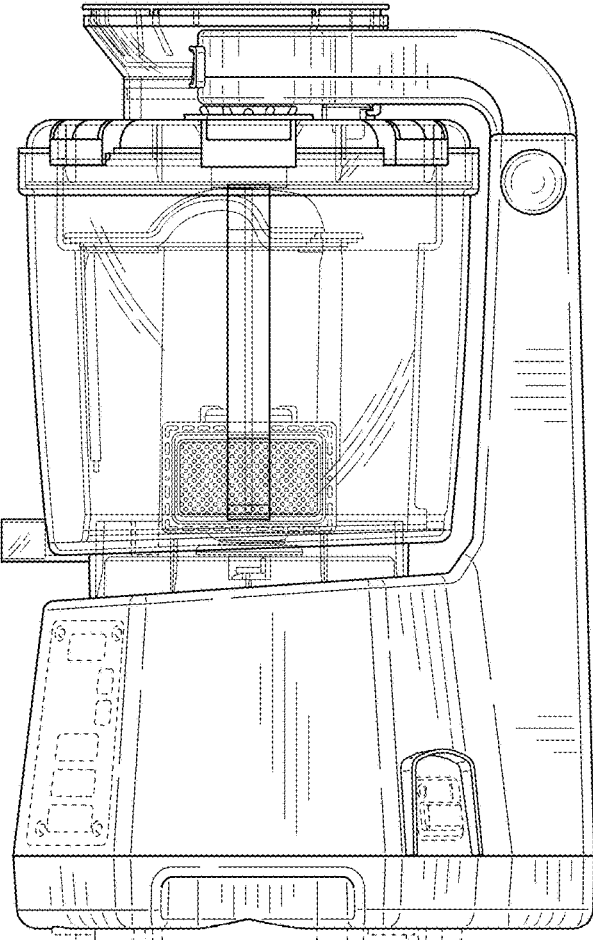


FIG. 4

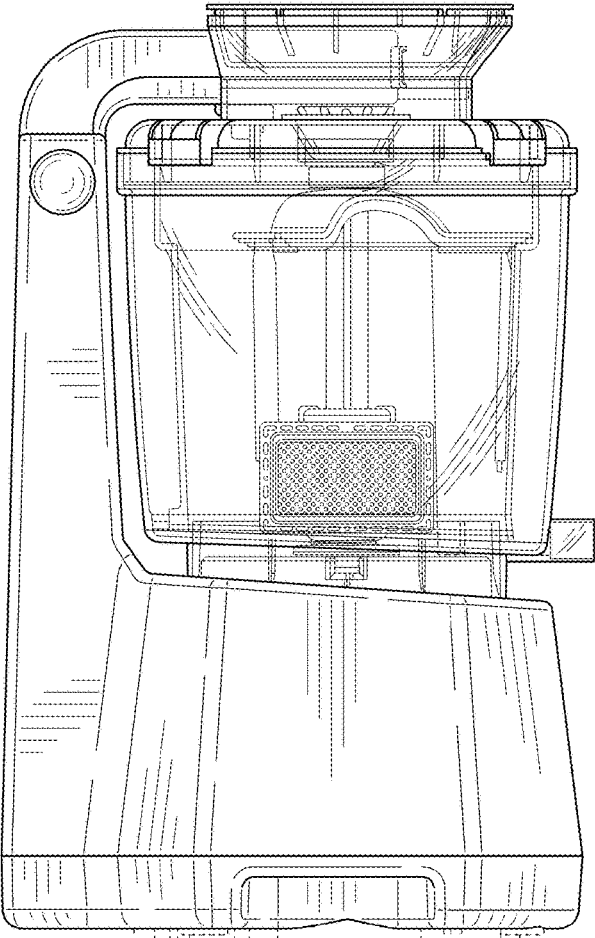


FIG. 5

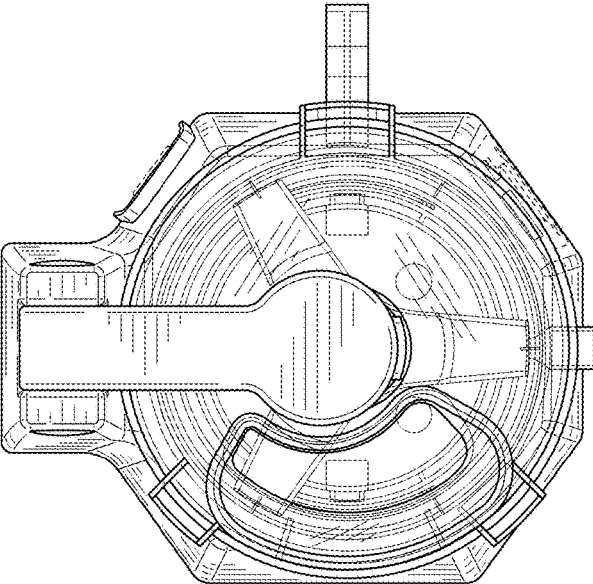


FIG. 6

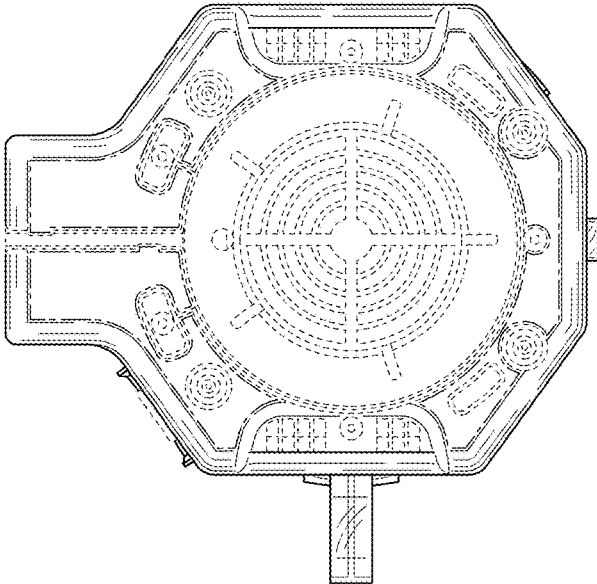


FIG. 7

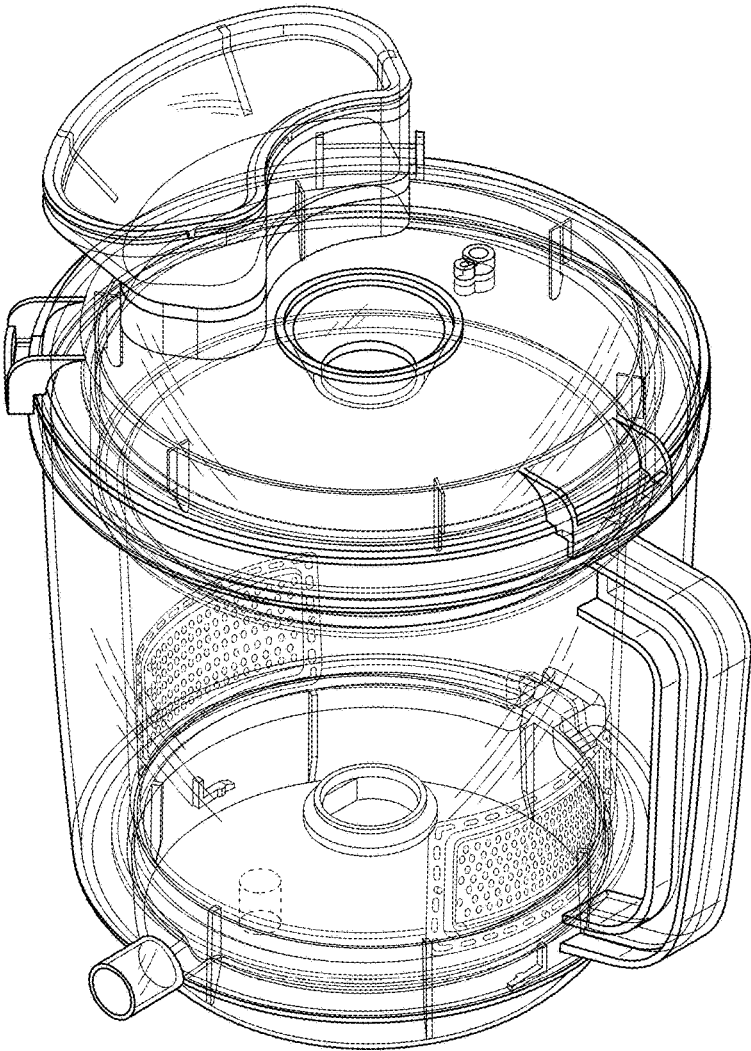


FIG. 8

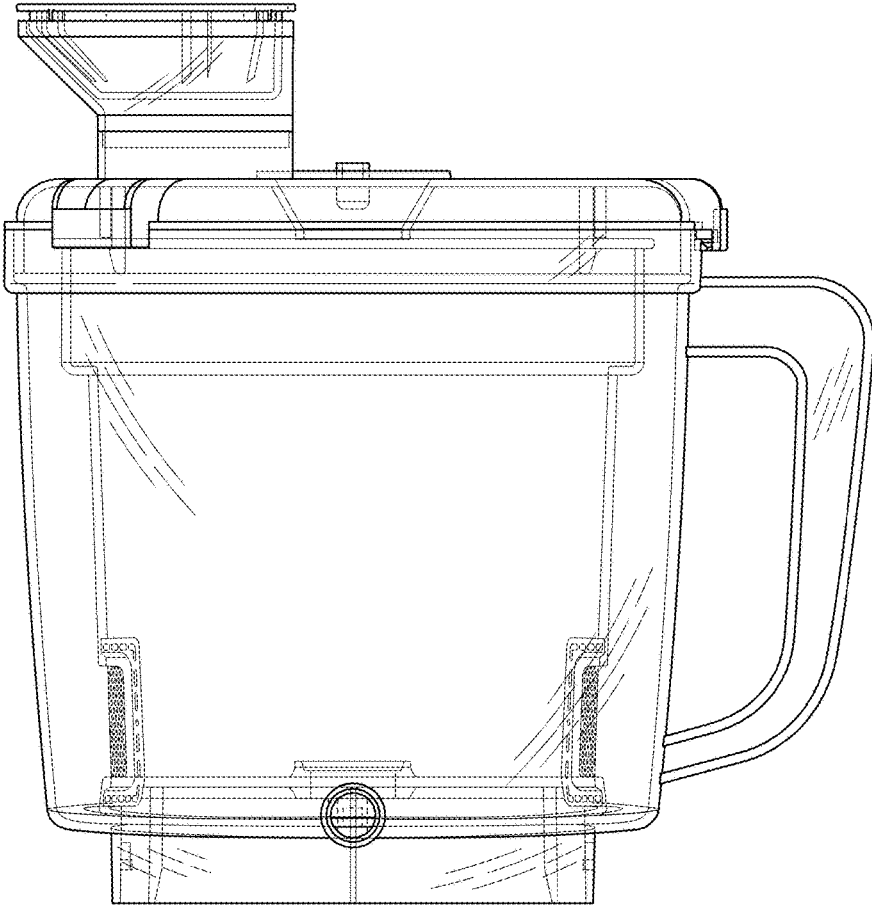


FIG. 9

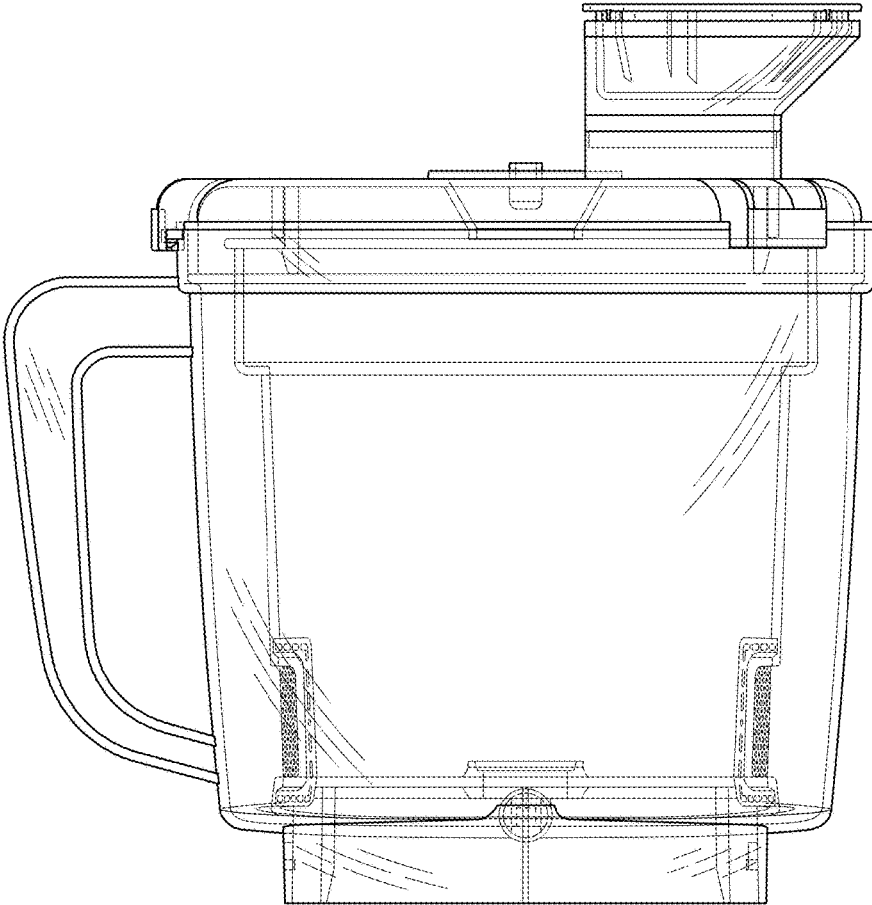


FIG. 10

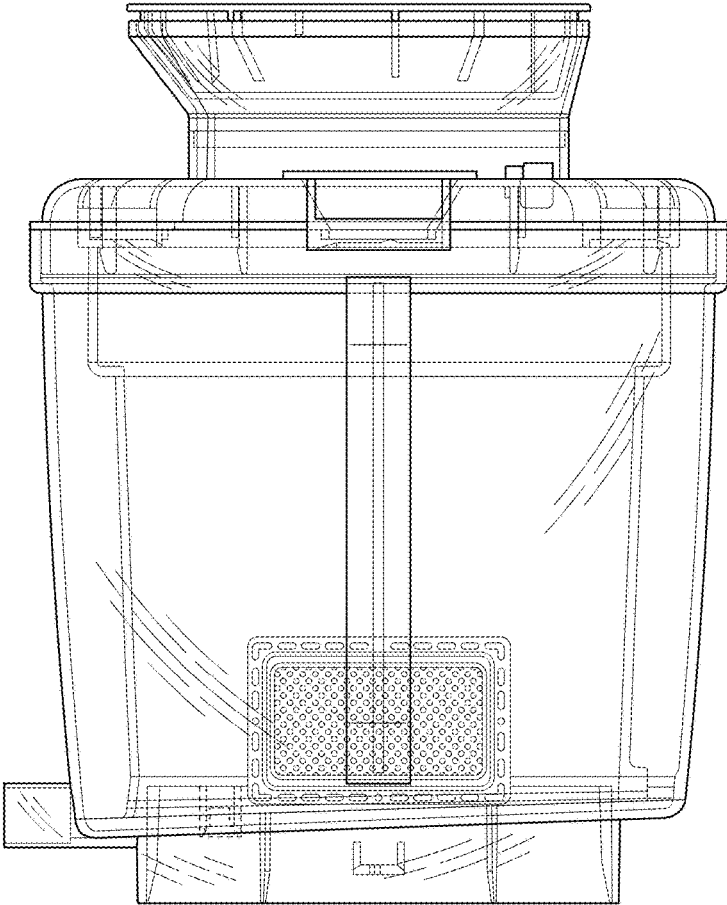


FIG. 11

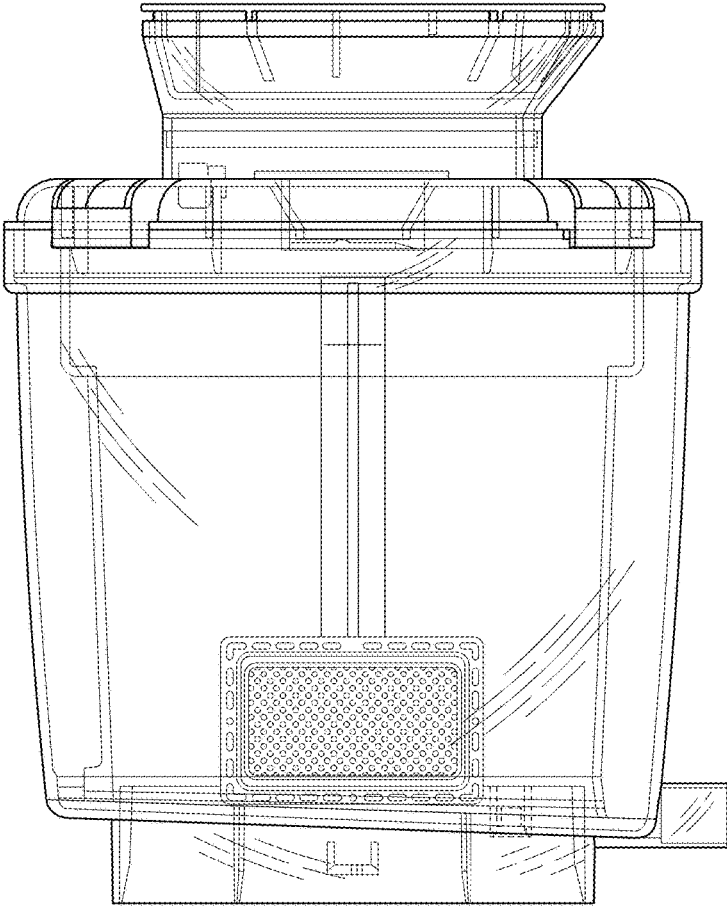


FIG. 12

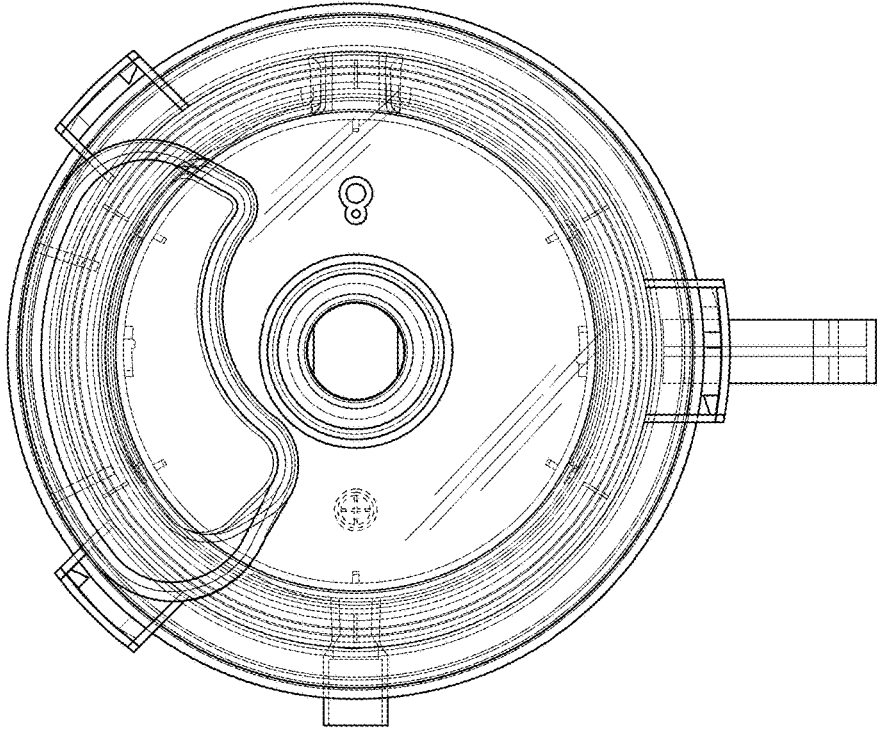


FIG. 13

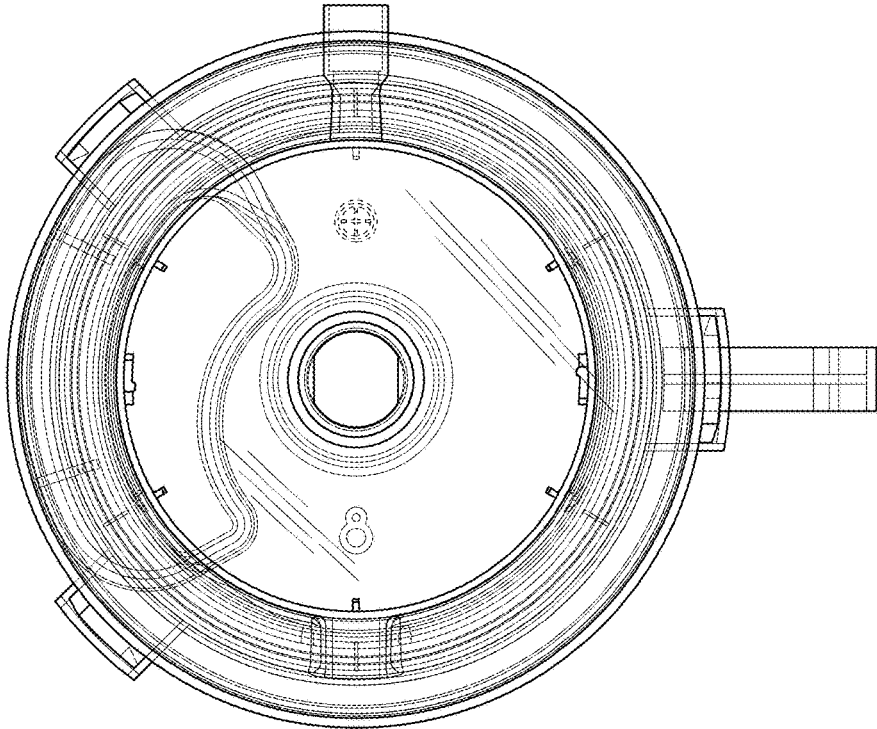


FIG. 14

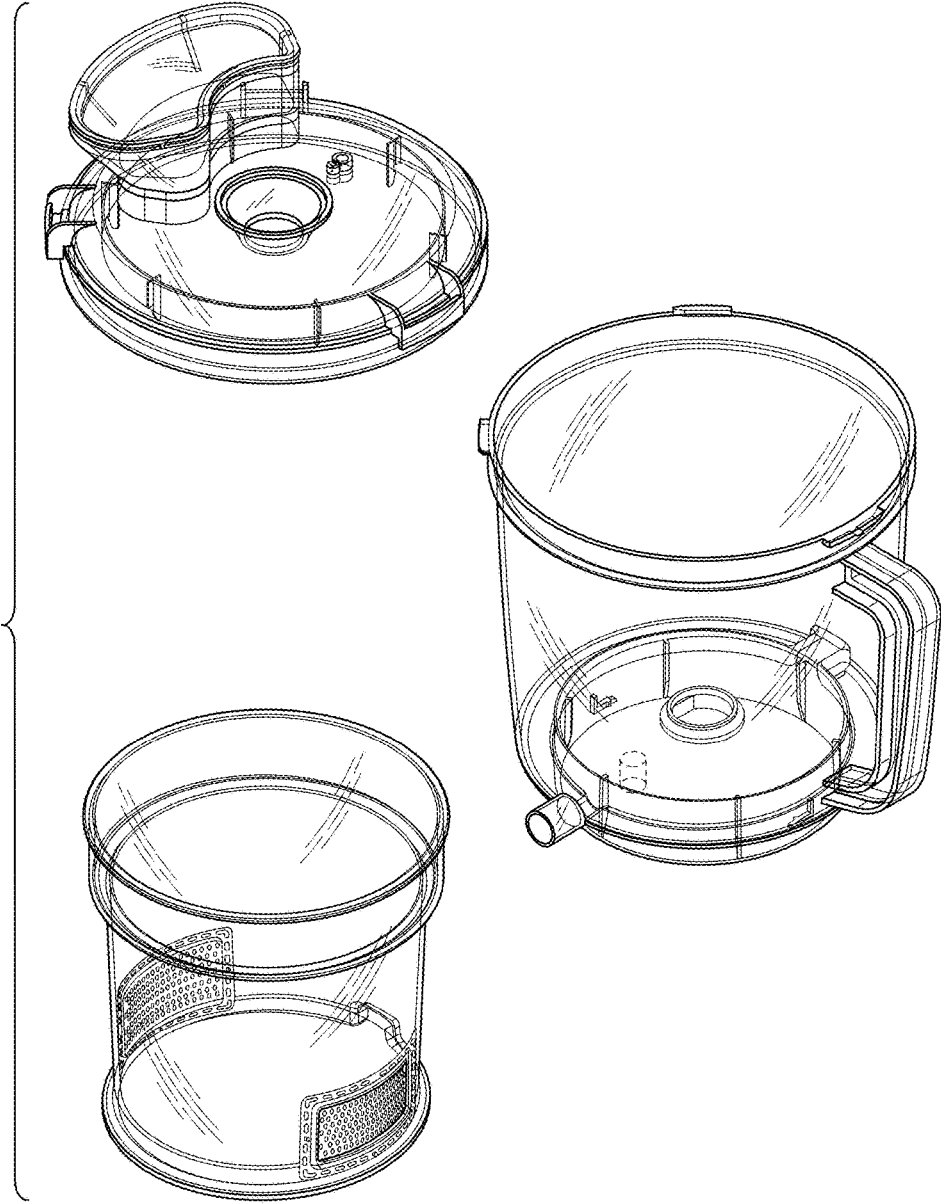


FIG. 15

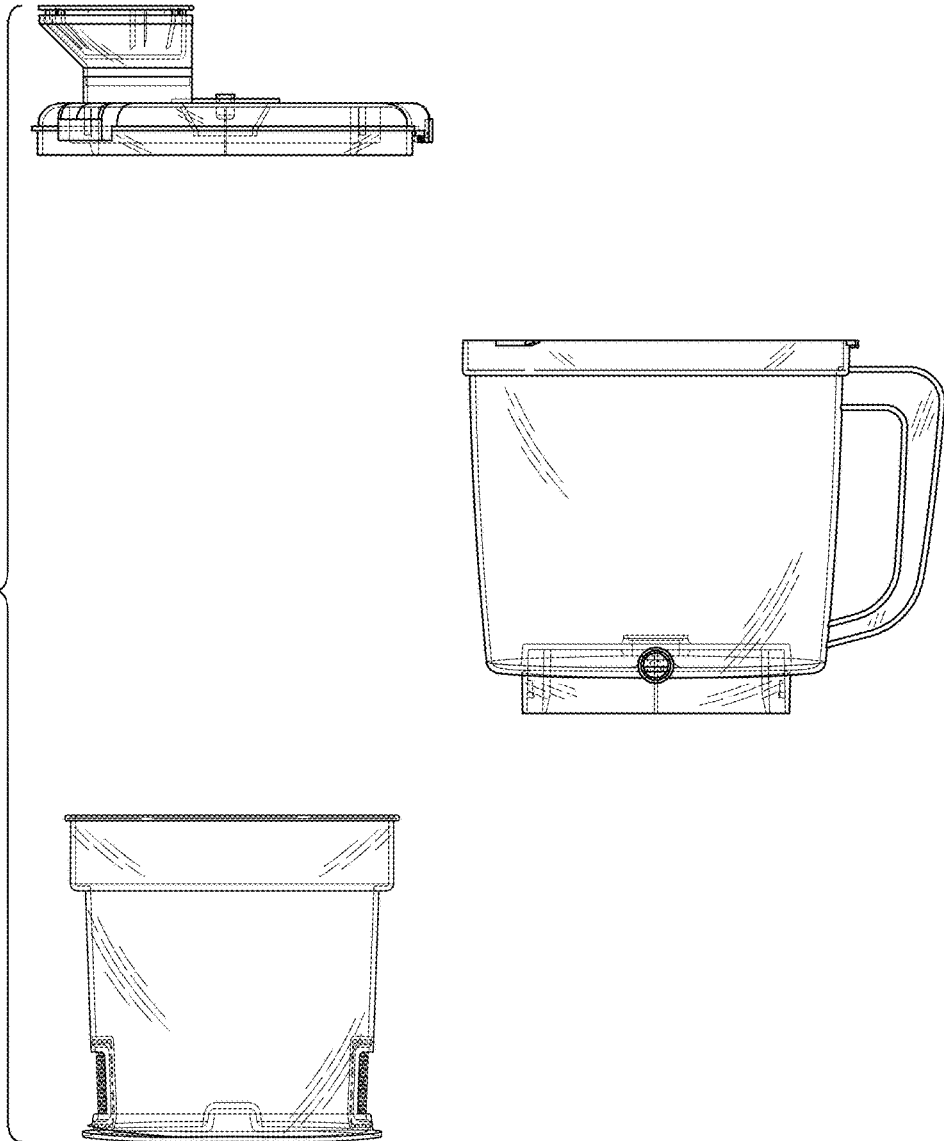


FIG. 16

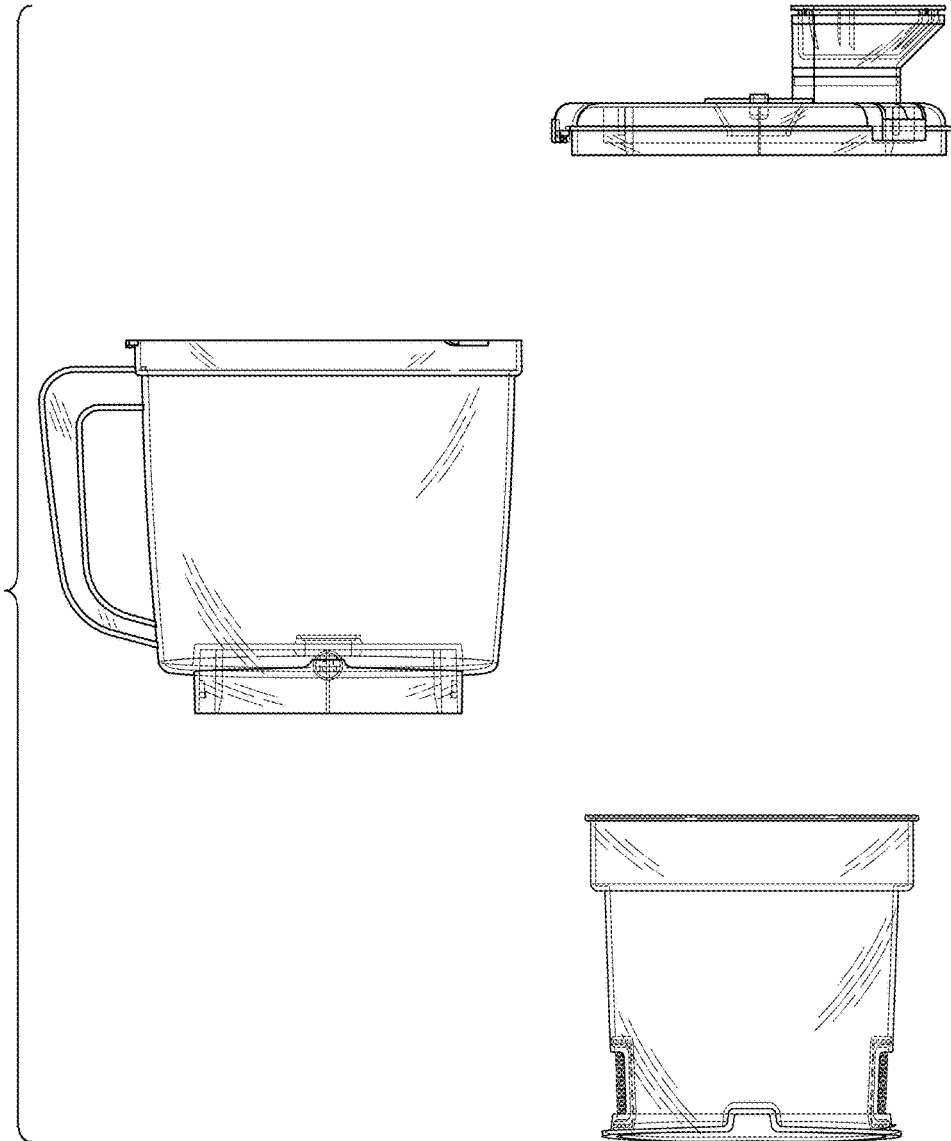


FIG. 17

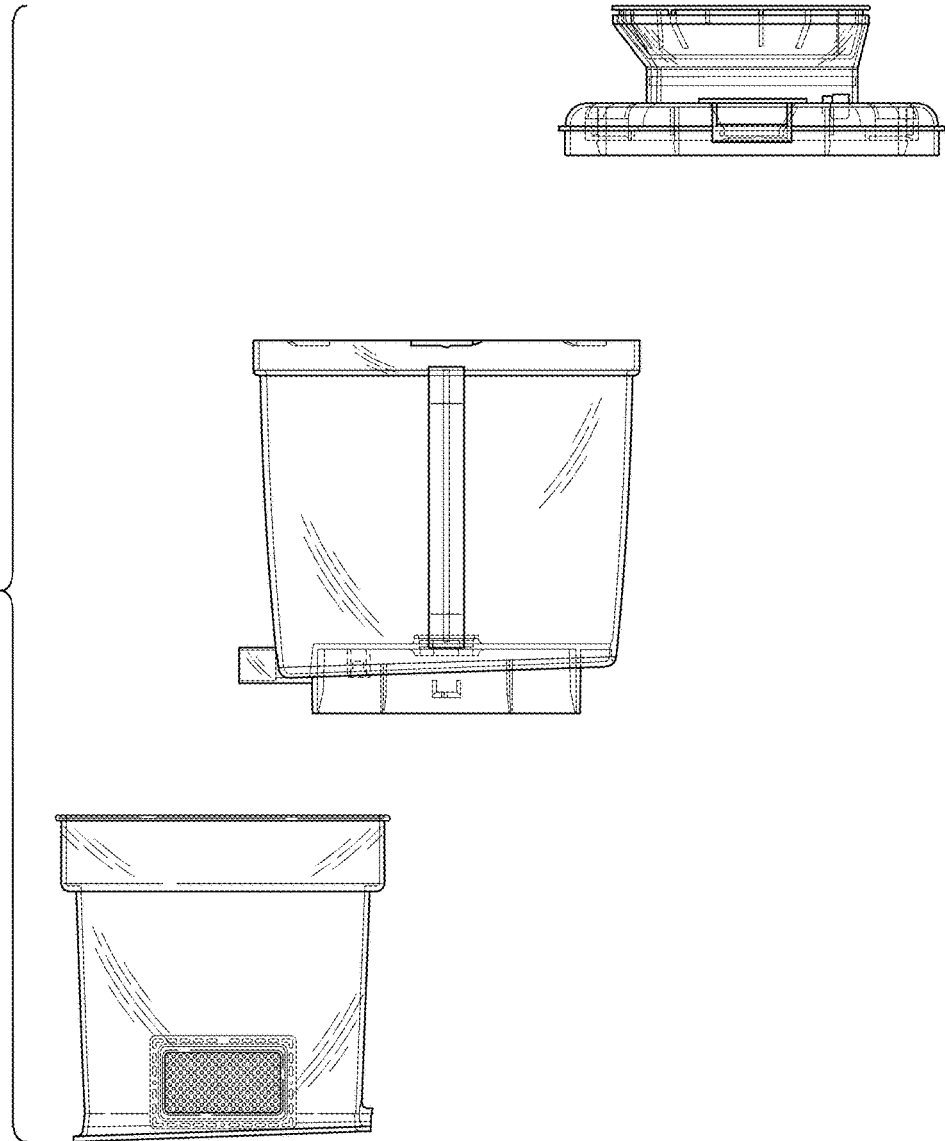


FIG. 18

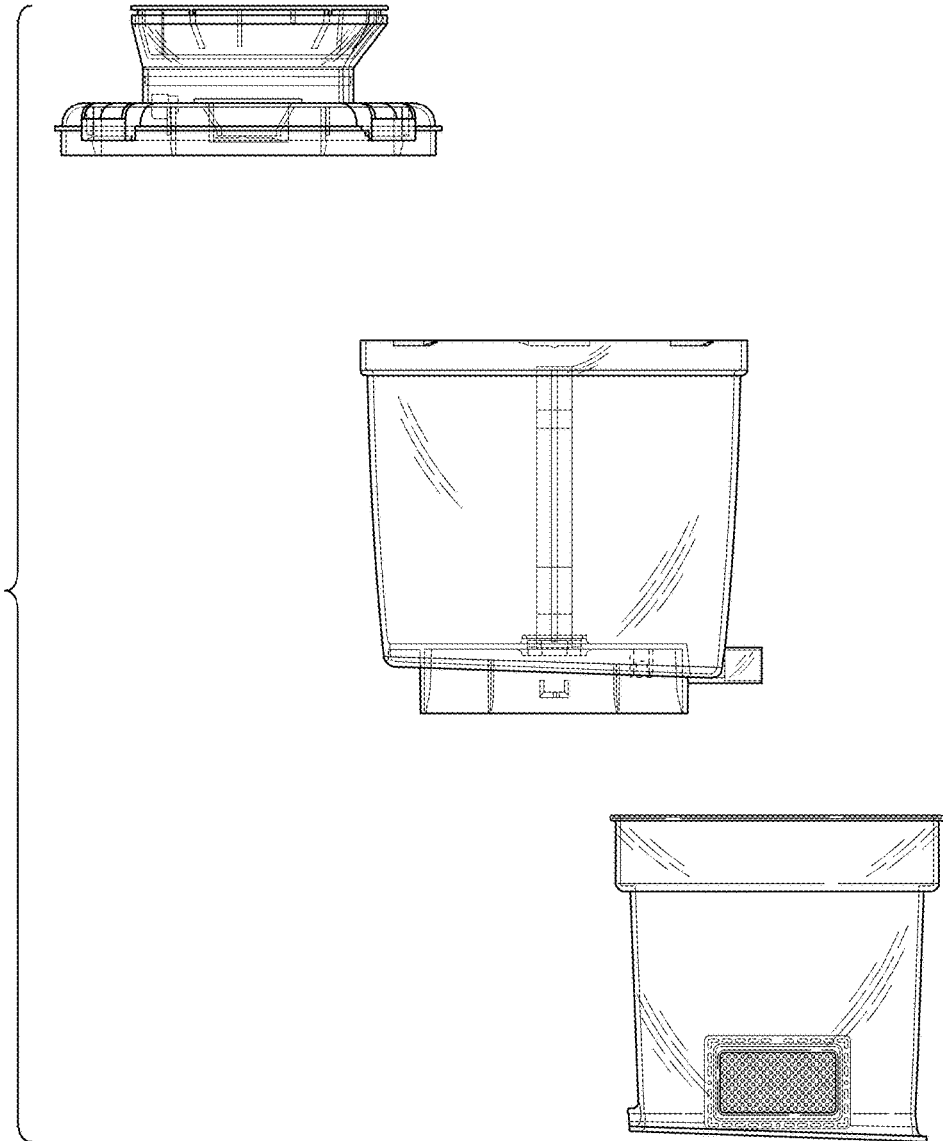


FIG. 19

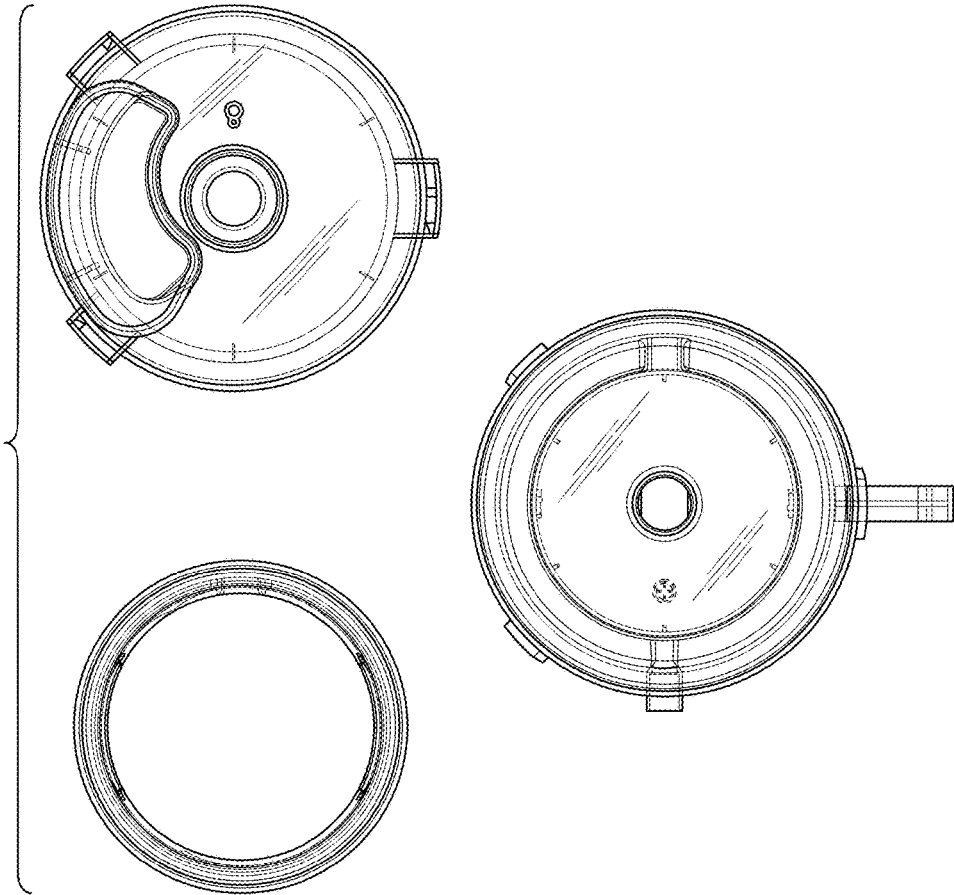


FIG. 20

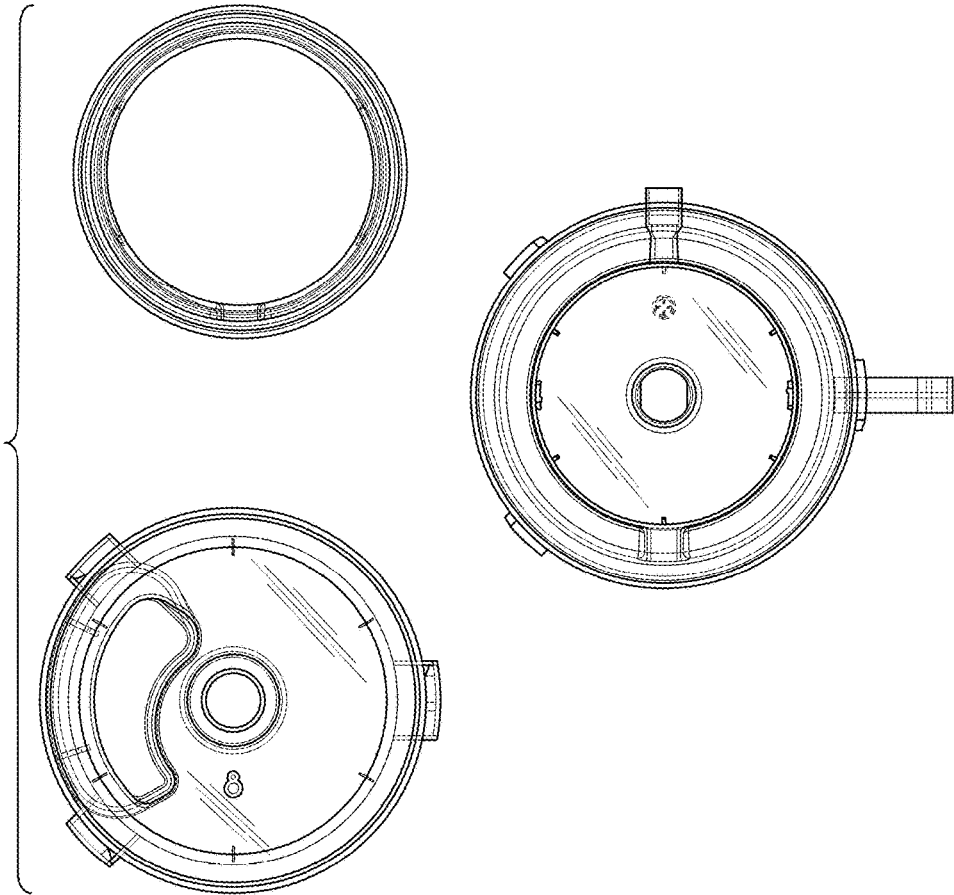


FIG. 21