

Operating Instructions

Byron W-253 Hi-Fi Door Chime

Operating Elements for the Hi-Fi Door Bell

1. The „Mode“ button („M“)
2. The > button
3. The < button
4. The „Mute“ button (🔇)
5. The **Display**
6. The **audio input**
7. **The display lamp for the operating stand**

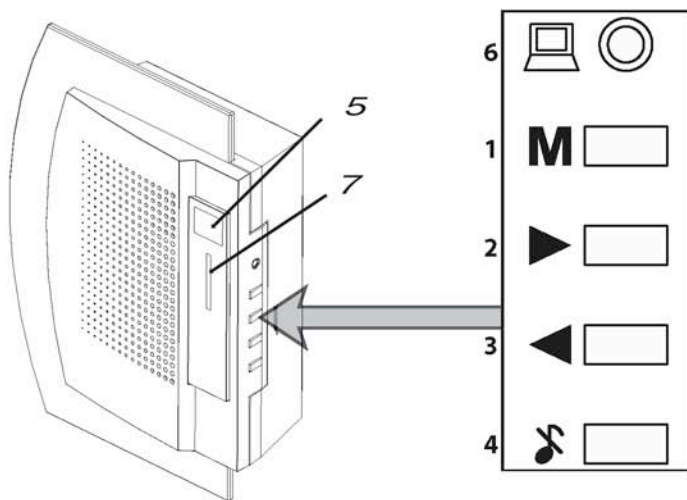


Table of Contents

Operating Elements for the Hi-Fi Door Bell.....	4
1. Technical Data.....	5
2. Use.....	6
3. Description of Functions.....	6
4. Installation of the Hi-Fi Door Bell.....	7
5. Commissioning.....	8
6. Selecting a Bell Tone.....	9
6.1 Bell Tone for the Front Door.....	10
6.2 Bell Tone for the Back Door.....	11
6.3 Random Bell tones for the Front Door.....	12
6.4 Random Bell Tones for the Back Door.....	13
7. Setting the Volume.....	14
8. Muting the Hi-Fi Door Bell.....	15
9. Loading Music on the Hi-Fi Door Bell.....	16
10.1 Installing the Download Programme.....	18
10.2 Downloading Music.....	19
10.3 Operating the Download Programme.....	21
10.4 Downloading Overwritten Titles.....	24
11. Display Lamp for Operating Stand.....	25
12. Deinstalling the Download Programme.....	26
13. Troubleshooting.....	27
14. Handling Spent Batteries.....	29
15. Cleaning.....	29
16. Safety Instructions.....	30
17. Assembly and Wiring Plan.....	30

1. Technical Data

- Power supply AC: 8/12 volts (1 A)
or 4 x 1.5 V alkaline batteries (LR114/C, baby cells)
- Bell tone triggered by potential-free contact or trigger voltage ~8/12 Volt
- Front door / Back door differentiation
- Adjustable bell tone volume
- 18 memory slots for bell tones (3 can be over written by the user (8/8/40 seconds)
- Dimensions: 280 x 125 x 60 mm
- Weight: 950 g

. Use

The Byron W253 Hi-Fi Door Chime is exclusively intended for use as a door bell in connection with an existing door bell/bell system in private households and in sealed rooms.

. Description of Functions

The W253 Hi-Fi Door Bell offers you 18 different melodies and sound effects as bell tones:

- . Radetzky March
- . Ode to Joy
- . Haloween
- . Aida
- . Cymbal
- . Bolero
- . Techno
- . March of the Toreros
- . Crashing sounds
- . Big Band
- . Crowing rooster
- . Bongo
- . Westminster
- . Happy Birthday
- . Barking dog
- . Beethoven's 5th Symphony

- . Vervelde
- . Flamenco

You can load up to three additional melodies, sound effects and announcements on the Hi-Fi Door chime in addition to these pre-programmed melodies and sound effects.

If there are bells on the front and the back door, the Hi-Fi Door chime can be used to set different bell tones for each of the doors.

5. Installation of the Hi-Fi Door Bell

Safety Instructions



Warning! This chime is designed to operate from a low voltage supply only. Please use a 8V 1Amp /2 Amp transformer. (Byron 7770) or batteries. IF ANY DOUBT PLEASE CONSULT A QUALIFIED ELECTRICIAN.

Attention! The Hi-Fi Door Chime can be **damaged** irreparably if **installed incorrectly!**

We accept no liability for damage resulting from incorrect installation!

You can find an assembly plan, wiring plan and a drilling template for the installation from **page 31** of these Operating Instructions onwards; please submit these documents to the electrician you commission with the installation of the Hi-Fi Door Chime.

Make sure you inform the commissioned electrician before the start of work if **two bells** (e.g. front and back door) are to be **connected** to the Hi-Fi Door Chime!

Warning!



Risk of electric shock!
Never expose the Hi-Fi Door Chime to moisture!

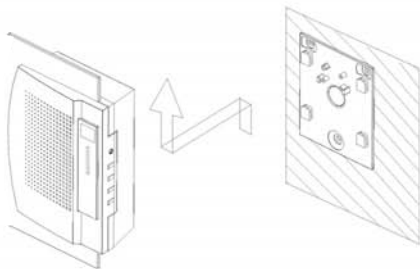
The Hi-Fi Door Bell must only be installed in **sealed rooms**, which are under no circumstances **exposed to moisture! Exposure to moisture may cause an electric shock!**

Attention!

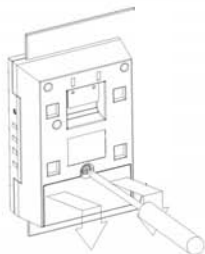
The device may be **damaged permanently and irreparably** by **exposure to moisture!**

No liability will be accepted for damage resulting from an exposure to moisture!

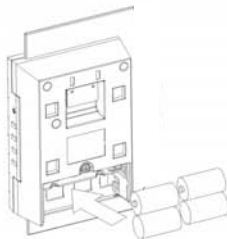
GB



1



2



3

6. Commissioning

You can **start up** the **Hi-Fi Door Chime** once it has been installed correctly. To do this ...

- 1 **Remove** the Hi-Fi Door Chime from its **wall holder** and **place** it on its **front**.
- 2 Use a Philips-head screwdriver to **release the screw** on the **battery compartment** and **remove the lid**.
- 3 **Insert 4 batteries** of the type 1.5 V C ((Type C, LR 14, E93, AM2)) into the **battery compartment**; make sure that the batteries are **facing the right way**.
- 4 **Insert the lid** back on to the **battery compartment** and **retighten the holding screw**.

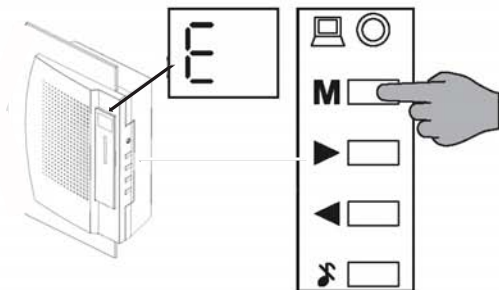
7. Selecting a Bell Tone

You can select a **bell tone** for the **front door**, the **back door** or **any side entrance**, etc.

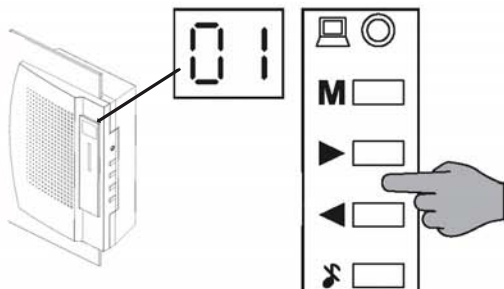
This enables you to **distinguish** immediately **where** the bell is ringing.

Alternatively, instead of selecting a specific bell tone, you can also set the **Hi-Fi Door Chime** in such a way that one of the pre-programmed **pieces of music** or **sound effects** is chosen **randomly** and is played each time the bell is pressed.

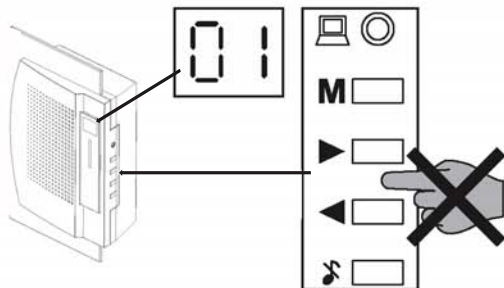
1



2



3



7.1 Chime Tone for the Front Door

In order to select one of the pre-programmed **pieces of music or sound effects** as **chime tone** for the front door ...

- 1 Press the **button "M"** until **"E"** appears in the **display**.
- 2 Press the buttons **<** and **>** to select one of the **pieces of music or sound effects** listed under numbers **1 to 18** (see **page 4**).

The display shows the number of the pieces of music and sound effects.

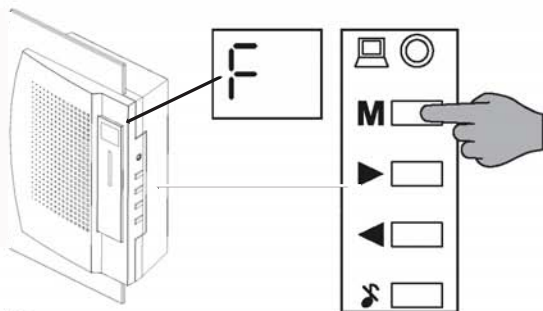
- 3 If you wish to listen to the pieces of music or sound effects listed in the display, **wait a few seconds** without pressing buttons **<** or **>** until the **Hi-Fi Door Chime** automatically plays the piece of music or sound effect **currently** set in the display.

- 4 To save the selected sound press **M** until the display is blank.

7.2 Chime Tone for the Back Door

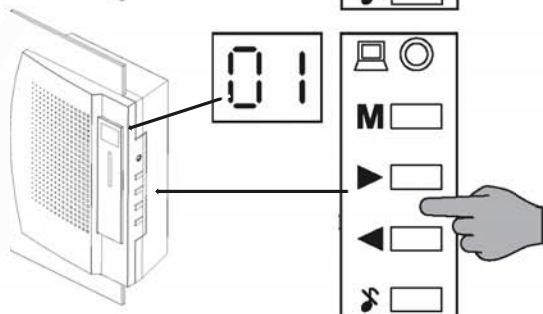
In order to select one of the pre-programmed **pieces of music** or **sound effects** as **chime tone** for the front door ...

- 1 Press the **button "M"** until **"F"** appears in the **display**.
- 2 **Repeat** the steps 2 and 3 under 7.1 **"Chime Tone for the Front Door"** (see Page 8)..

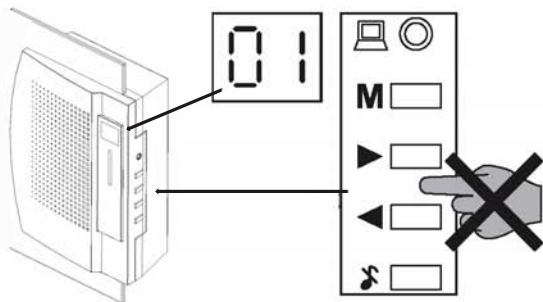


1

GB

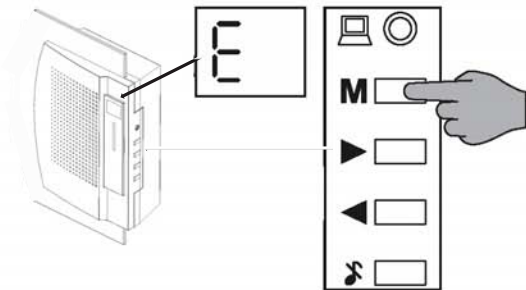


2

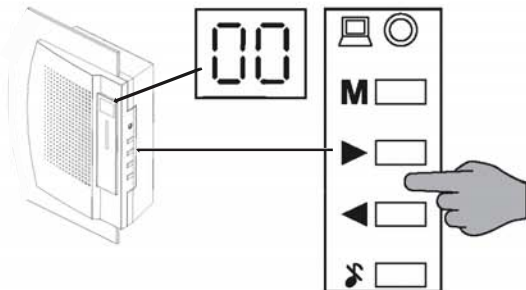


3

1



2



7.3 Random Chime tones for the Front Door

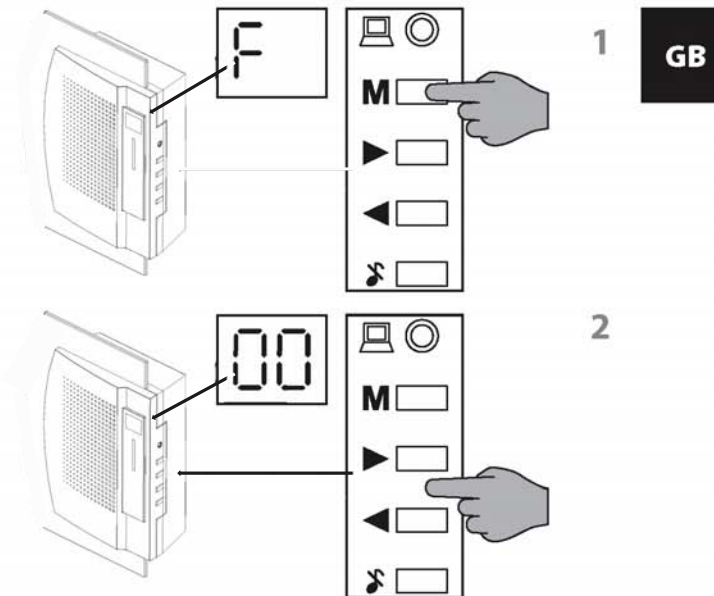
In order to **activate** the **random mode** for the **front door bell ...**

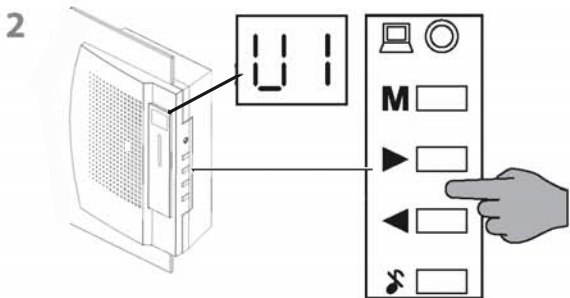
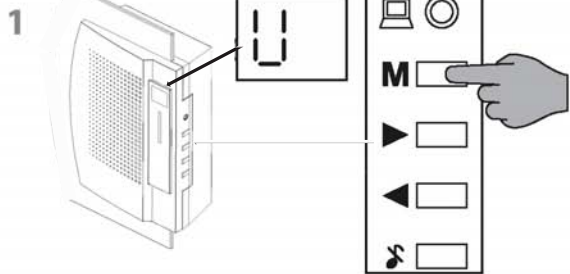
- 1 Press the **button "M"** until **"E"** for the front door bell tone appears in the **display**.
- 2 Use the **buttons < and >** to **select** the piece of music with the number 00.
- 3 To save the selected sound press M until the display is blank.

7.4 Random Chime Tones for the Back Door

In order to **activate** the **random mode** for the **back door bell ...**

- 1 Press the **button "M"** until **"F"** appears in the **display**.
- 2 Use the **buttons < and >** to **select** the piece of music with the number 00.
- 3 To save the selected sound press M until the display is blank.





8. Setting the Volume

In order to **set** the **volume** in which the selected bell tones are played ...

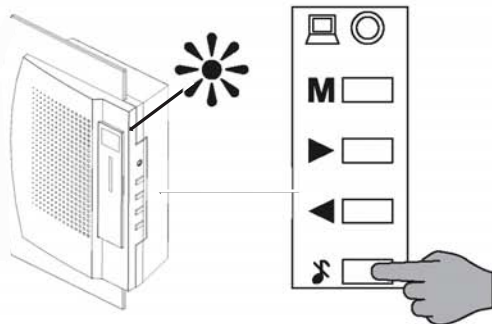
- 1 Press the **button "M"** until **"U"** appears in the **display**.
- 2 Use the **buttons < and >** to set the volume between U0 (**very quiet**) to U9 (**very loud**).

The **display** lists the **currently set volume**.

9. Muting the Hi-Fi Door Chime

Press the **“Mute” button** in order to **mute the Hi-Fi Door Bell**, thus meaning that no bell tone will sound if any of the connected bells are pressed.

When the mute is active, the **display lamp** for the operating state on the front side of the Hi-Fi Door Chime **flashes red**.



10. Loading Music on the Hi-Fi Door Chime

You can load up to three additional melodies, sound effects and texts on the Hi-Fi Door Chime in addition to these pre-programmed melodies and sound effects.

However, if you wish to load your own pieces of music, sound effects or texts on the Hi-Fi Door Chime, **this requires ...**

- your computer has a processor with a minimum speed of 700 MHz
 - the installation of the operating system **Microsoft Windows 95®, Windows 98®, Windows ME®, Windows 2000® or Windows XP®** on your computer
 - you have installed the download programme provided on your computer (supplied on CD)
 - that your computer has a sound card
 - that loudspeakers are connected to your computer
 - that the **titles** you want are stored on your computer as **".wav" files** (22,050 samples/second, 16 Bit, mono, high quality).
- * Warning Byrons accepts no liability for the loss of information and, or damage to a computer system. Always consult your network administrator.

Information:

If you are not sure which operating system is installed on your computer:

- 1 **Start** your **computer**.
- 2 Right click the **"My Computer"** icon on the **desktop** once your **computer** has **started up**.
- 3 Now **click** on **"Attributes"** and then on the **registration card "General"**. This will provide you with **information** on the **installed operating system**.

Windows XP® may possibly not list "My Computer" as an icon on the desktop.

If you cannot find a "My Computer" icon on the Desktop ...

- 1 **Click** on **"Start"** on the bottom left edge of your screen.
- 2 Now **right click on the "My Computer" icon** in the **Start menu**.
- 3 **Click** on **"Attributes"** and then on the **registration card "General"**.

This will provide you with **information** on the **installed operating system**.

Information:

If you are not sure whether the music title, sound effect or text you would like is **stored** on your computer in **".wav" format ...**

- 1 Right click** on the **file you want**.
- 2 Click** on **"Attributes"**.
- 3 Click** on the **registration card "General"**.
- The item **"file type"** will list the file format.

The specified file type must be **"WAV Audio"** if you wish to load the file on the Hi-Fi Door Bell. **The Hi-Fi Door Chime cannot load any file formats other than WAV Audio!**

Use **standard sound editing software** such as "Cool Edit 2000" (download under www.syntrillium.com, subject to charge) in order to **reformat your sound files** into **"Wave" format** and to **display and alter** the other attributes (sample rate, etc.).

10.1 Installing the Download Programme

In order to load **sound files** from your **computer** to the **Hi-Fi Door Chime**, you must **install** the **download programme** enclosed with the Hi-Fi Door Chime on your computer. To do this ...

1 Place the **CD ROM** enclosed with the Hi-Fi Door Chime and entitled **“Software Installation”** into the **CD ROM drive** on your computer. The **start window opens automatically** after a few seconds. Now proceed with **step 4**.

If the **start window does not open automatically**, the automatic function on your computer is deactivated. In this case ...

2 **Double click** the **“My Computer”** icon on the desktop.

If you cannot find a “My Computer” icon on the Desktop, click on “Start” on the bottom left edge of your screen and then click on “My Computer” in the Start menu.

3 **Double click** on the symbol for the **CD ROM drive** in which you placed the CD ROM. The **start window opens automatically** after a few seconds.

4 **Click** on a **flag** to **select a language**.

5 You are now in the **main menu**. **Click** on **“Install Software”**.

The installation programme **dialogue window opens**.

6 **Follow** the **instructions** in the installation programme **dialogue window**.

7 A **message** appears after the end of installation, stating that the **installation process** is now complete.

You now see the **“PRISM”** icon on your **desktop**.

10.2 Downloading Music

Once you have **finished installing the download programme**, you must now connect your **computer** to the **Hi-Fi Door Chime** using the enclosed **download cable**. To do this ...

1 Shut down your computer.

If your computer does not switch off automatically after being run down, do so manually as soon as your computer displays the message "You can now switch off your computer".

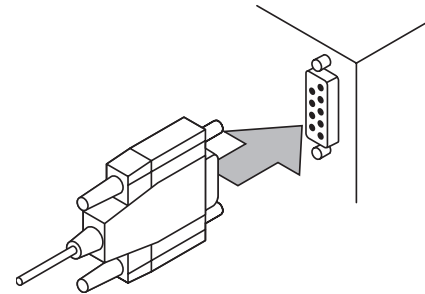
2 Remove the **mains plug** on your computer.

3 Connect the **download cable** to the **serial interface** on your computer using the **serial port** .

Information:

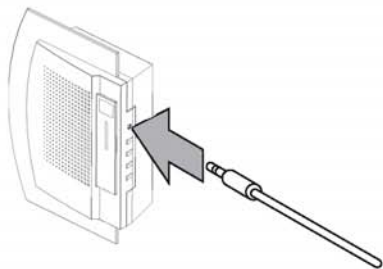
If you are not sure **which of the interfaces** on your computer is the **serial interface**, please take a look at the **Operating Instructions** or your **computer manual**.

It **does not matter** which interface you use to connect the download cable if your computer has **more than one serial interface**.

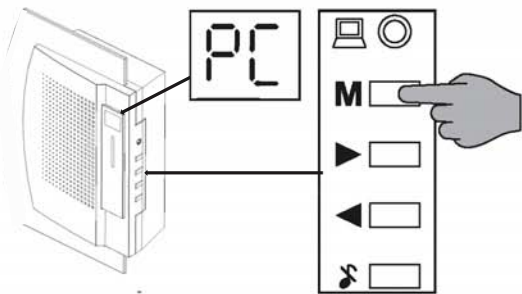


3

4



7



All you have to do is **select later on** in the **download programme** dialogue window whether you have connected the download cable to **serial interface 1 or 2**.

4 **Connect the 3.5 mm audio jack connector** on the other end of the download cable to the **audio input** on the Hi-Fi Door Chime.

5 **Replace the mains plug** on your computer to the mains socket.

6 **Switch your computer back on.**

7 **Select the "PC" mode on the Hi-Fi Door Chime** by pressing the **button "M"** until **"PC"** appears in the Hi-Fi Door Chime's **display**.

8 **Double click** on the **"PRISM"** icon on your **computer desktop** once the **computer has started up**. The **download programme dialogue window** opens.

10.3 Operating the Download Programme

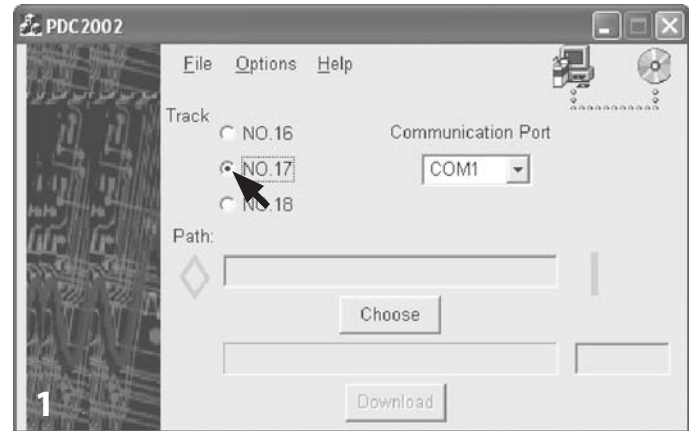
You **enter** data in the **dialogue window** in order to operate the **download programme** for your Hi-Fi Door Chime:

1 First of all, use your **mouse** to select the **title number under which** you wish to **store** your piece of music on the Hi-Fi Door Chime. You have at your disposal:

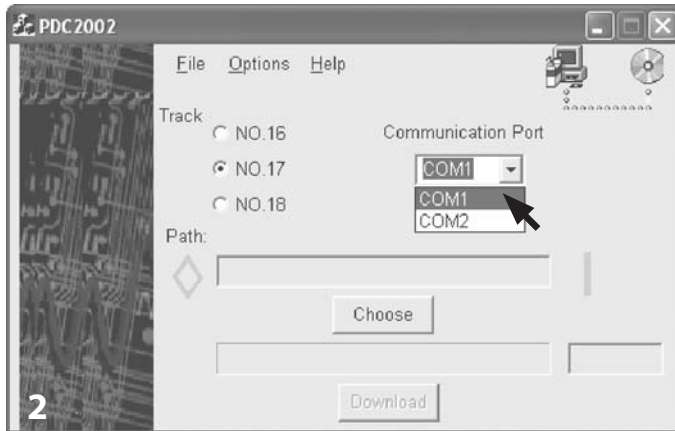
- **Title number 16**
- **Title number 17**
- **Title number 18**

You can store **8 seconds** of Music/Sound effect on the **title memory slots 16 and 17** respectively.

Title memory slot 18 can accommodate up to **40 seconds** of Music/Sound effect.



GB

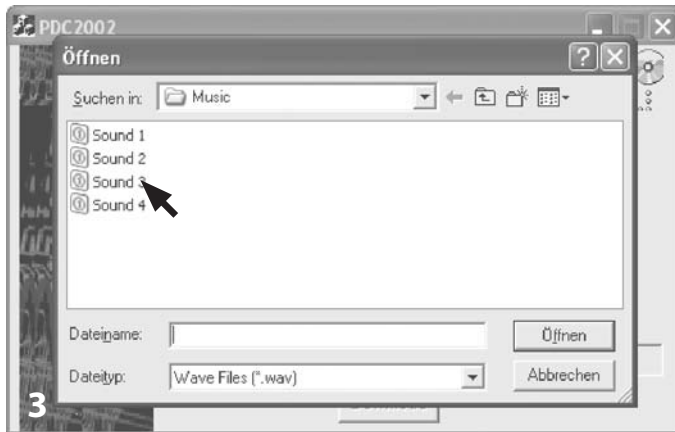


2 Select the **serial interface** you have connected the download cable to by clicking on “**COM PORT 1**” or “**COM PORT 2**” in the drop down menu under the item “**Serial Interface**”.

If you are not sure which serial interface you have **connected** the **download cable** to, just proceed. You can change the setting at any time at the click of the mouse.

3 Now **select** the **file** you wish to **load** on the Hi-Fi Door Chime.

To do this, **click** on the **button “Choose”** and select the **folder** in which the **file you want** is located.



4 **Double click** on the **file you want**.

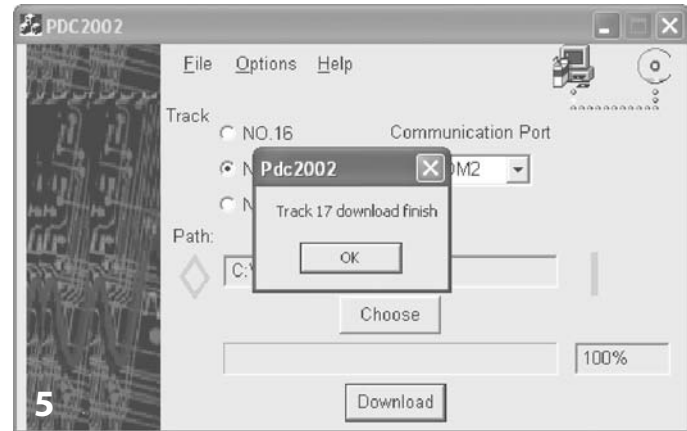
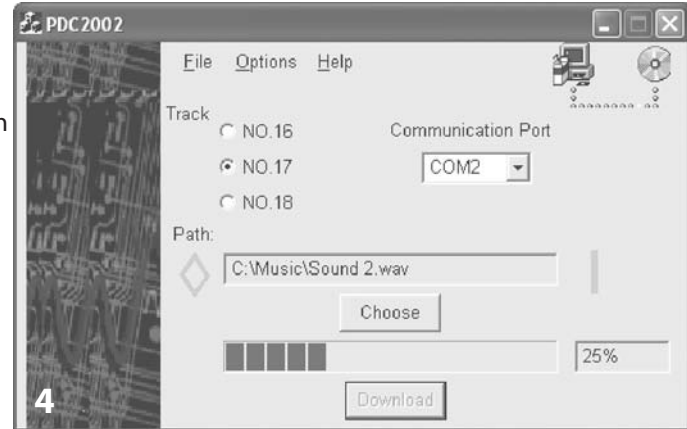
5 **Click** on the **button "Download"**. This file will then be downloaded from your computer on to the Hi-Fi Door Chime. The **bar** in the lower area of the dialogue window indicates the **download progress**.

The **message "Download Title No. [16/17/18] Complete"** appears as soon as the **download process is finished**.

Information:

If the ".wav" **file is too large** for the **title memory slots 16 and 17**, i.e. the length of the desired music title, sound effect or text **exceeds 8 seconds ...**

- the message **"Title too long! Only the first 8 seconds will be loaded!"** appears in the download programme dialogue window ...
- and only the **first 8 seconds** of the desired title will be **loaded** on the Hi-Fi Door Chime.



10.4 Downloading Overwritten Titles

If you have loaded one of your **own pieces of music/ sound effects** on to the **title memory slots 16 to 18**, you will have **overwritten** the **sound files** that were **originally installed there**. If you wish to **reload** these overwritten **music titles or sound effects** on to the **Hi-Fi Door Bell ...**

1 Place the **CD ROM** enclosed with the Hi-Fi Door Bell and entitled **“Software Installation”** in to the **CD ROM drive** of your computer. The **start window opens automatically** after a few seconds. Now proceed with **step 4**.

If the **start window does not open automatically**, the automatic function on your computer is deactivated. In this case...

2 **Double click** the **“My Computer”** icon on the Desktop.

If you cannot find a **“My Computer”** icon on the Desktop, click on **“Start”** on the bottom left edge of your screen and then click on **“My Computer”** in the Start menu.

3 **Double click** on the symbol for the **CD ROM drive** in which you placed the CD ROM. The **start window opens automatically** after a few seconds.

4 **Click** on a **flag** to **select a language**.

5 You are now in the **main menu**. **Click** on **“Original Title”**.

6 **Click** on the **original piece of music/sound effect** installed that you wish to reload onto the HiFi doorbell.

7 A small window opens up containing the options **“Open”** and **“Save”**. **Click “Save”**.

8 **Select** in the **Windows dialogue window** the desired **memory slot** for the selected sound file and save it.

9 In order to load the **sound file** from your **computer** to the Hi-Fi Door Chime, now **repeat** the steps under **10.2 “Downloading Music”** and **10.3 “Operating the Download Programme”**.

11. Display Lamp for Operating Stand

The display lamp beneath the display on the front side of the Hi-Fi Door Chime indicates ...

- **Mute**

The display lamp **flashes red** if the mute button on the Hi-Fi Door Chime **has been activated**.

- **Bell ringing while muted**

The display lamp is **constantly red** if one of the bell pushes connected to the Hi-Fi Door Chime is pressed while the system **is muted**.

- **Batteries spent**

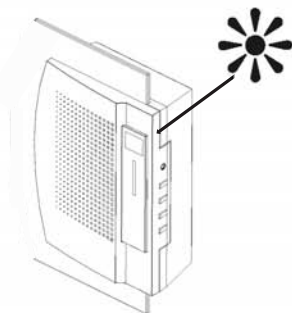
The display lamp **flashes green** if the **batteries are spent**. In this case, **replace all four** batteries with **new ones**.

- **Batteries spent while muted**

The display lamp **flashes orange** if the **batteries are spent** while the Hi-Fi Door Chime **is muted**. In this case, **replace all four** batteries with **new ones**.

- **Bell pressed while muted and batteries spent**

The display lamp **flashes orange/red** if one of the **bell pushes connected** to the Hi-Fi Door Chime **is pressed** while the **batteries are spent** and the **system is muted**. In this case **replace all four** batteries with **new ones**.



12. Removing the Download Programme

1 Place the **CD ROM** enclosed with the Hi-Fi Door Chime and entitled **“Software Installation”** in to the **CD ROM** drive of your computer. The **start window open** automatically after a few seconds. Now proceed with **step 5**.

If the **start window does not open automatically**, the automatic function on your computer is deactivated. In this case ...

2 **Double click** the **“My Computer”** icon on the Desktop.

If you cannot find a **“My Computer”** icon on the Desktop, click on **“Start”** on the bottom left edge of your screen and then click on **“My Computer”** in the Start menu.

3 **Double click** on the symbol for the **CD ROM drive** in which you placed the **CD ROM**. The **start window opens automatically** after a few seconds

4 **Click** on a **flag** to **select a language**.

5 You are now in the **main menu**. Click on **“Install Software”**. The installation programme **dialogue window opens**.

6 **Follow** the **instructions** of the installation programme **dialogue window** until you are **prompted** to chose between the options **“Change”, “Repair” and “Remove”**.

7 **Select** the option **“Remove”** and **follow** the **instructions** in the **dialogue window** to start **deinstallation**.

8 A **message** appears at the end of uninstalling, indicating that the **download programme has been successfully removed**.

13. Troubleshooting

- If you receive the **error report “Communication not possible”**, this may be due to the following:

The download cable may not be connected to the specified serial interface.

Select the right interface in the download programme **dialogue window**:

- 1 If you have **selected interface number 1 (COM PORT 1)** under the item **“Serial Interface”** in the dialogue window, now switch to **interface 2 (COM PORT 2)**.

If you had previously **selected interface 2 (COM PORT 2)**, now switch to **interface 1 (COM PORT 1)**.

- 2 Now **click** again on the **button “Download”**.

It is possible that the download cable is not correctly connected to the Hi-Fi Door Chime or to your computer:

- 1 **Check** that the **download cable is connected correctly** to your **computer** and the **Hi-Fi Door Chime** and that the connection **is strong**.

- 2 **Restart the download** by **clicking** on the **button “Download”**.

- **If downloading is still not possible ...**

Check whether the selected file may be **damaged**; you can do this by attempting to **play** the **file**, e.g. using **Windows Media Player®** or a comparable programme.

If you cannot **play** the file on Windows Media Player® or a comparable programme, it is **probably damaged**.

Note:

In most cases, **damaged files** cannot be **loaded** on the Hi-Fi Door Chime or are not **played** or played incorrectly once they have been downloaded.

- **If the download programme does not run properly** or if there problems during the use of the download programme ...

- 1 Place the **CD ROM** enclosed with the Hi-Fi Door Chime and entitled **“Software Installation”** in to the **CD ROM drive** of your computer. The **start window opens automatically** after a few seconds. Now proceed with **step 4**.

If the start window **does not open automatically**, the automatic function on your computer is deactivated. In this case ...

2 Double click the **“My Computer”** icon on the Desktop.

If you cannot find a **“My Computer”** icon, click on **“Start”** on the bottom left edge of your screen and then click on **“My Desktop”** in the Start menu.

3 Double click on the symbol for the **CD ROM drive** in which you placed the **CD ROM**. The **start window opens automatically** after a few seconds.

4 Click on a **flag** to select a **language**.

5 You are now in the **main menu**. **Click** on **“Install Software”**. The installation programme **dialogue window opens**.

6 Follow the **instructions** of the installation programme **dialogue window** until you are **prompted** to chose between the **options “Change”, “Repair” and “Remove”**.

7 Select the option **“Repair”** and **follow** the instructions in the **dialogue window** to start the **repair process**. The download programme will then be reinstalled.

8 A message appears at the end of the uninstall, indicating that the **download programme has been successfully removed**.

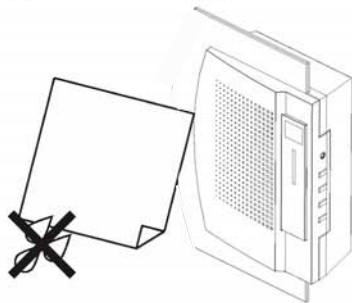
14. Handling Spent Batteries

Do not dispose of **spent batteries** with your **domestic waste**. Please return the spent batteries to the **special collecting points** or to the shop in which you purchased them.

If at one time you wish to **dispose** of the **Hi-Fi Door Chime** please **remove** the **batteries** from the device!

15. Cleaning

Clean the Hi-Fi Door Chime using a **clean, dry cloth only**. you can use a **brush** to clean the **gaps between the loudspeaker ribs** on the front side of the Hi-Fi Door Bell.



16. Safety Instructions

Attention!

Never open the housing of the Hi-Fi Door Chime! The Hi-Fi Chime does not contain **any components** that **users can service**. **We will accept no warranty claims if the housing has been opened!**

We will also accept no liability for damage resulting from **incorrect use or opening of the housing!**

17. Assembly and Wiring Plan

Attention!

The Hi-Fi Door Bell can be **damaged** irreparably if **installed incorrectly!**



No liability will be accepted for damage resulting from incorrect installation!

Warning!



Warning! Risk of electric shock!
Never expose the Hi-Fi Door Chime to moisture!

The Hi-Fi Door Bell must only be installed in **sealed rooms**, which are under no circumstances **exposed to moisture!**

Exposure to moisture may cause an electric shock!

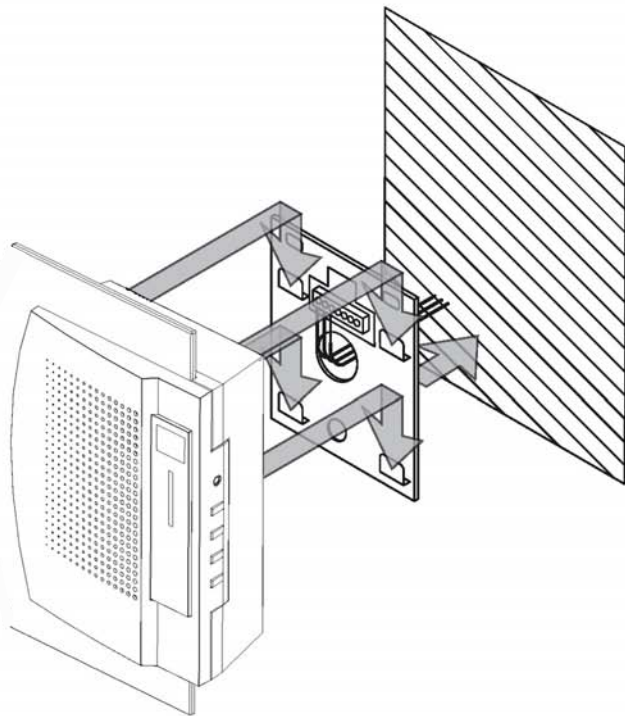
Attention!

Moisture may permanently and irreparably damage the device!

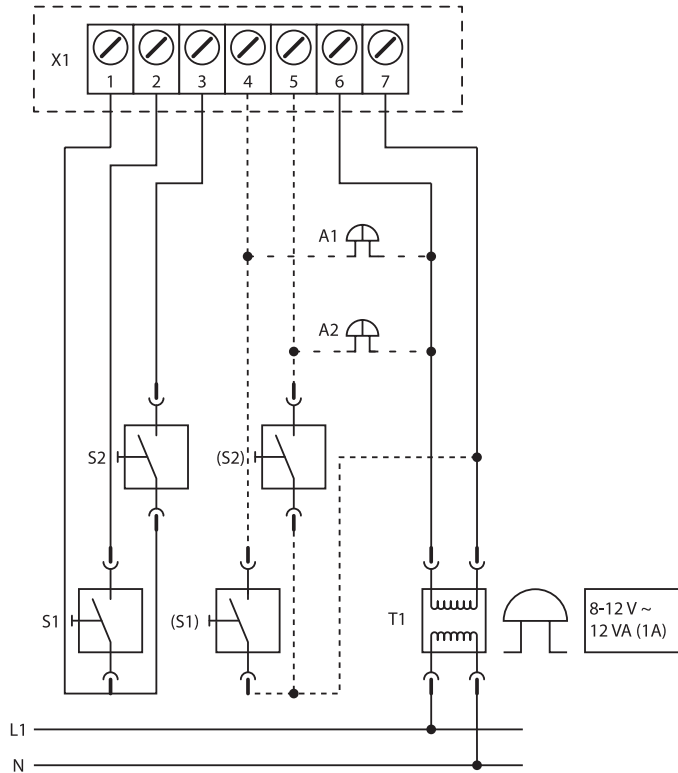
No liability will be accepted for damage resulting from an exposure to moisture!

Assembly Plan

GB



Wiring Plan



- X1:** Junction plate
- S1:** Front door chime
- S2:** Backdoor chime
- (S1):** Lighted Front Door Bell Push
- (S2):** Lighted Back Door Bell Push
- A1:** Parallel connection (for additional set of chimes)
- A2:** Parallel connection (for additional set of chimes)
- T1:** Isolating bell transformer 8v/ 1Amp (Byron 7770)
- L1:** Current Phase 1
- N:** Neutral wire

Drill template

