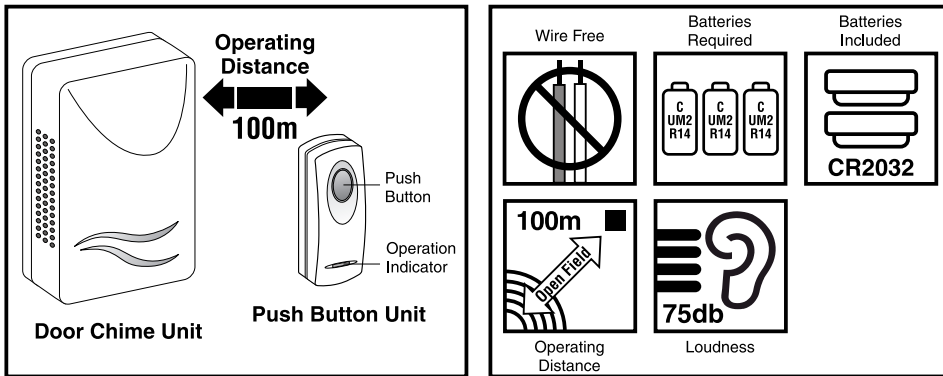


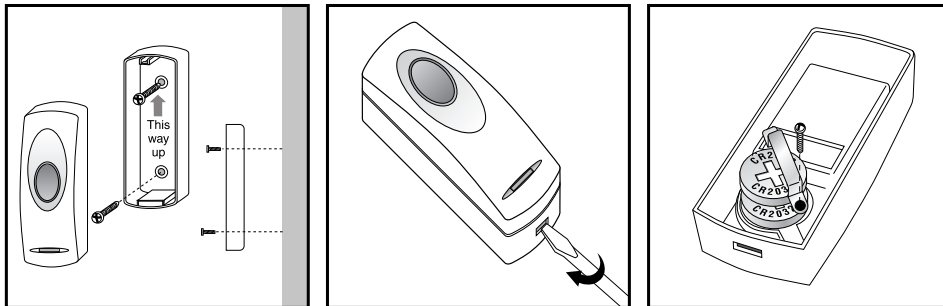
# Byron Wire Free Elektro Mechanical Chime Kit SX-5 & SX-51



No wiring is required for this Wire Free Door Chime Kit. When the Push Button is pressed, it sends a wire free signal to the door chime unit that activates the chime. As the operating range is upto 100 metres (320 ft. approx. - in open field), you can mount or take the door chime virtually anywhere in the home. However, the transmission range of the wire free signal will be reduced if the signal is transmitted through a number of walls or ceilings. Metal and UPVC doorframes will also reduce the operating range. Ding Dong may repeat twice depending on location.

## Push Button Unit

2 x 3 volt Lithium batteries (CR2032) have already been installed. Your Push Button is ready to use.



### To mount

Using the two holes on the back of Push Button as a template, mark the fixing position for the unit. Drill holes and fit wall plugs and secure the Push Button unit with screws (self tapping N3 x 16mm screw).

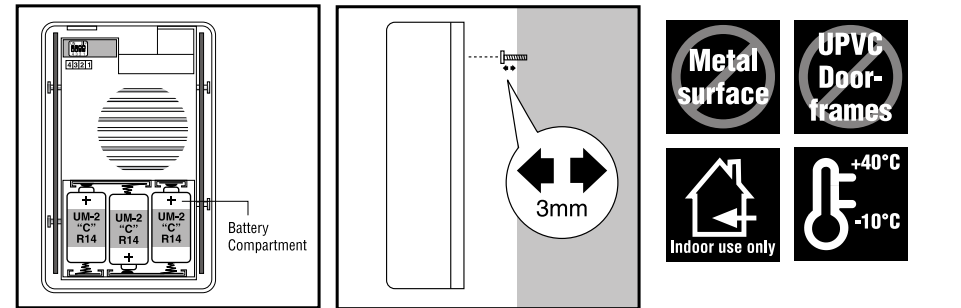
### To replace the batteries

Remove the back of the case by pushing in the tab on the bottom with a small, flat screw driver.

Remove the locking screw from the battery fastener. Insert 2 x 3volt CR2032 Lithium batteries (Byron SX100) in the battery compartment, ensuring the battery polarity matches the internal markings, then tighten the screw on the battery fastener to hold the batteries firm in it's compartment.



## Door Chime Unit



### To replace the batteries

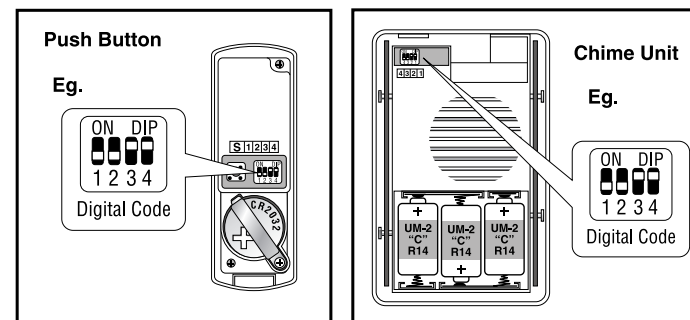
Remove the front cover. Insert 3 x 1.5 volt alkaline batteries ("C", UM2 & R14 - not included) into the battery compartment, ensuring the battery polarity matches the internal markings.

### To mount

It has a slotted hang hole on the rear, it can be easily removed or relocated to another room. Drill hole and fit wall plug (if fixing to masonry) and screw (self-tapping N3 x 16mm screw) to fixing position. Leave a gap of 3mm between the screw head and the wall. Locate the keyhole slot on the back of the unit over the screw.

## Digital Code Set Up

The unit comes from the factory on a pre-set radio frequency digital code. However, should your door chime activate intermittently for no reason at all, it is possible that a similar unit is operating nearby on the same frequency digital code. The encoded frequency of the Push Button (transmitter) and Door Chime (receiver) can be changed to avoid this problem.



1. There is a 4 position dipswitch marked 1,2,3 & 4. Use a screwdriver to alter the dip switch levers to the "On/Off" position, which can be altered to achieve total sixteen (16) possible digital codes.
2. Select any combination ensuring it is set to the same code on both Push Button and Door Chime units. E.g. if the 1<sup>st</sup> & 2<sup>nd</sup> dipswitches are down in your Push Button, then 1<sup>st</sup> & 2<sup>nd</sup> dipswitches must be down in your chime unit.
3. Test to ensure correct operation before final installation.

## Melody Selection

This chime is electro-mechanically operated. This means it has 1 sound (Ding-Dong), as the plunger hits the chime bars. This sound is not electronically reproduced.  
 You are able to purchase others "SX" range products (except SX4 & SX41) and still use this push button to change the sounds of your new "SX" product.

## Important

1. Do not mount either unit close to fireplace or expose to high temperatures.
2. Do not expose the Door Chime unit to direct sunlight or moisture.
3. Always use alkaline battery. Please dispose of old, defective batteries in an environmentally friendly manner in accordance with the relevant legislation.
4. Make sure that no naked flame sources, such as lighted candles, should be placed on the unit.
5. The unit should not be exposed to dripping or splashing and that no objects filled with liquids, such as vases, shall be placed on the unit.
6. **CAUTION:** Replace only with the same or equivalent type of battery that is recommended by the manufacturer.
7. **CAUTION:** Danger of explosion if battery is incorrectly installed or replaced.

## Trouble Shooting & User Hints

Problem	Possible Causes	Suggested Remedy
Chime does not sound but LED lights on Push Button	<ol style="list-style-type: none"> <li>1. Units are out of range (max. range 100M)</li> <li>2. Push Button and Chime units are not on same digital code</li> </ol>	<ol style="list-style-type: none"> <li>1. Operate the Chime unit within the operation range (100M)</li> <li>2. Re-set the frequency digital code (see Digital Code Set Up)</li> </ol>
Chime does not sound plus no lights on Push Button LED	<ol style="list-style-type: none"> <li>1. Flat Push Button battery</li> <li>2. Wrong polarity of battery in Push Button</li> </ol>	<ol style="list-style-type: none"> <li>1. Change the battery</li> <li>2. Re-insert battery as internal marking in right polarity</li> </ol>
Chime sounds without Push Button being pressed	A similar Wire Free Door Chime product is operating nearby on the same frequency digital code	Change the digital code (see Digital Code Set Up)

**Important:** There are no serviceable parts in the unit, do not attempt to repair it.

## Specification

### A. Push Button unit

Power : 2 x 3 volt CR2032 Lithium batteries (included, replace with Byron SX100)  
 Consumption : 7.0mA - ON  
 0.003mA - OFF

### B. Door Chime unit

Power : 3 x 1.5 volt alkaline batteries ("C", UM2 & R14 - not included)  
 Consumption : 1000mA - ON  
 0.65mA - Stand By

Operating Temperature : -10°C to +40°C

Operating Distance : 100 metres (320 feet approx.) in open field

Selectable Digital Code : Total sixteen (16) possible digital codes

CE 0681

