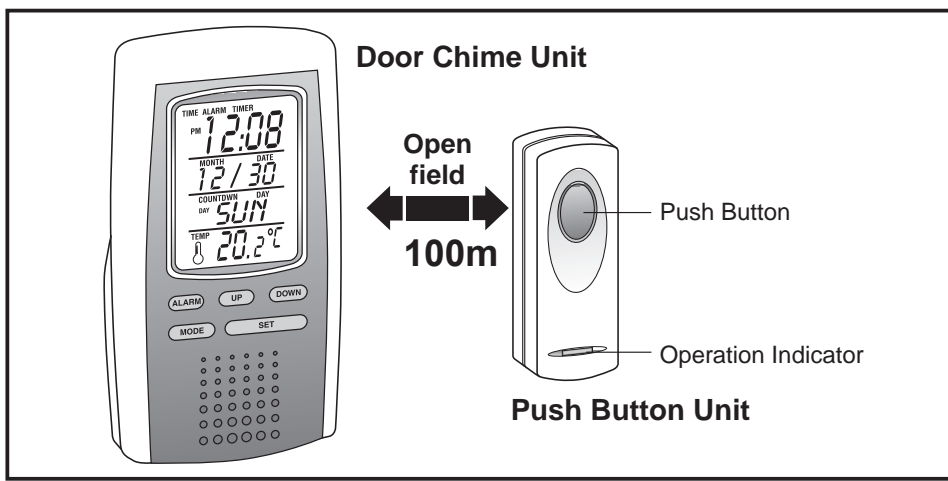


# Byron Wire Free Portable Door Chime Kit with Indoor Thermometer SX-72

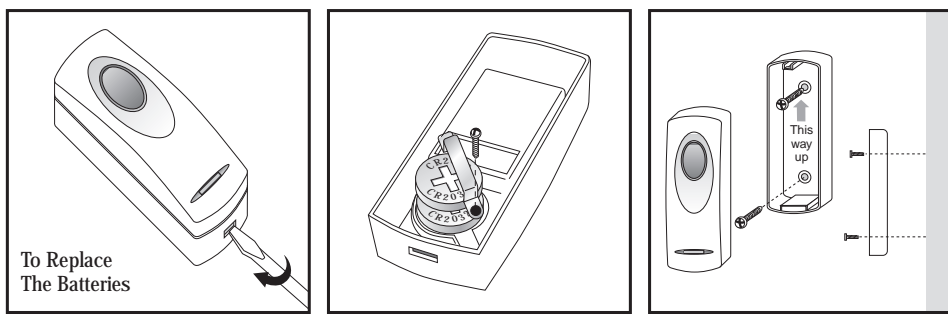


Wire Free	Batteries Required	Batteries Included	Loudness	Operating Distance

No wiring is required for this Wire Free Door Chime Kit. When the Push Button is pressed, it sends a wire free signal to the door chime that activates the chime. The operating range is up to 100 metres (330 ft. approx.) in open field. However, the transmission range of the wire free signal will be reduced if the signal is transmitted through a number of walls or ceilings. Metal, and UPVC doorframes will also reduce the operating range.

## USING YOUR DOOR CHIME

### Push Button Unit - Installing Batteries

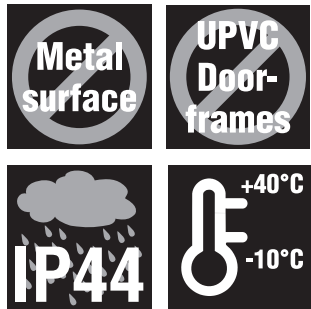


1. Push button unit is operated by 2 x 3 volt CR2032 Lithium batteries (already installed).
2. It is ready to use.

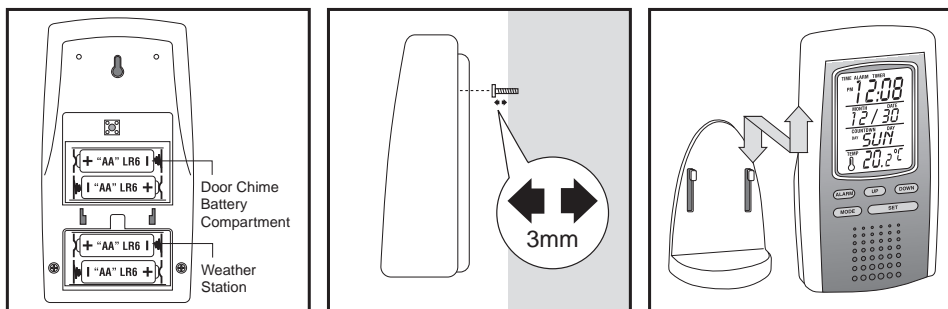
To replace the batteries: Remove the back of the case by pushing in the tab on the bottom with a small, flat screw driver. Remove the locking screw from the battery fastener of the battery compartment. Insert 2 x 3 volt CR2032 Lithium batteries in the battery compartment, ensuring the battery polarity match the internal markings, then tighten the screw on the battery fastener to hold the batteries firm in it's compartment.

Installation: Using the two holes on the back of push button as a template, mark the fixing position for the unit. Drill holes and fit wall plugs and secure the Bell Push Unit with screws (self tapping N3 x 16mm screw) in position, or by the double-sided self-adhesive pad (included), onto your front door or the position nearby.

Important: Mounting the Push Button unit on the UPVC doorframes or metal surface will reduce the broadcasting range seriously.



### Door Chime Unit - Installing Batteries

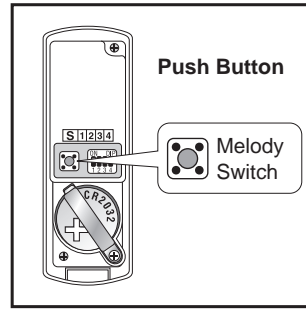


1. Remove chime unit from stand.
2. Remove the top and bottom battery covers from the back of the unit, by sliding them down.
3. Insert 2 x 1.5 volt alkaline batteries ("AA", UM3 & LR6 - not include) into the battery compartment, ensuring the battery's polarity match the internal markings.
4. It will beep twice to indicate that it is ready to use and learn the push button's operation code (Please see Digital Code Set Up).
5. Close the battery door, then the chime unit is ready to use.

Installation: A slotted hang hole on the rear of the unit will enable the chime unit to be hooked onto a screw and easily removed or relocated to another room. To fit, drill a hole and fit wall plug (if fixing to masonry), screw (self-tapping N3 x 16mm screw) to fixing position. Leave a gap of 3mm between the screw head and the wall. Locate the keyhole slot on the back of the unit over the screw. The Chime unit comes with a stand, simply slot the unit onto the stand. It can placed on any flat surface in the house.



## Melody Selection

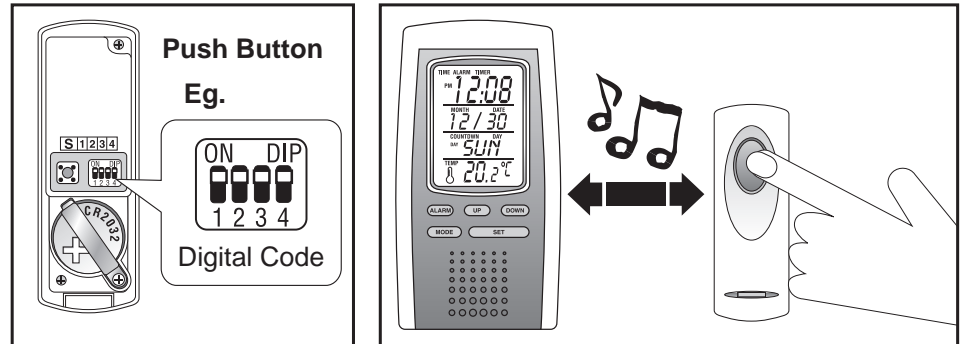


The Melody Switch is located inside the push button unit. It is a small switch on the top left corner of battery compartment marked with "S". Press the switch once, the melody will change to the next one on the list, there are a total of 8 melodies for selection. The Push Button is pre-set to "Electro Mechanical - Ding Dong" therefore, if no change is required, it should not be adjusted.

- |                                   |                |
|-----------------------------------|----------------|
| 1) Electro Mechanical - Ding Dong | 5) Piano       |
| 2) Westminster - 8 notes          | 6) Harmony     |
| 3) Jive                           | 7) Dog Barking |
| 4) Wedding March                  | 8) Ringer      |

Additional Byron "SX" range products can be purchased for compatibility.

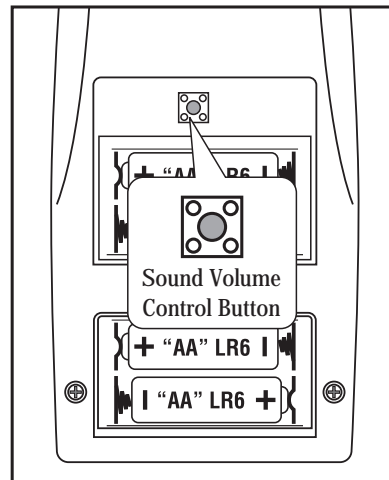
## Digital Code Set Up



The unit is supplied with a pre-set radio frequency digital code. However, should your door chime activate intermittently for no reason at all, it is possible that a similar unit is operating nearby on the same frequency digital code. To avoid this problem, the encoded frequency of the Push Button (transmitter) can be changed. While the Door Chime (receiver) is equipped with an advanced self-learning digital code, no setting is needed on the door chime unit. It "learns" the code from the bell push.

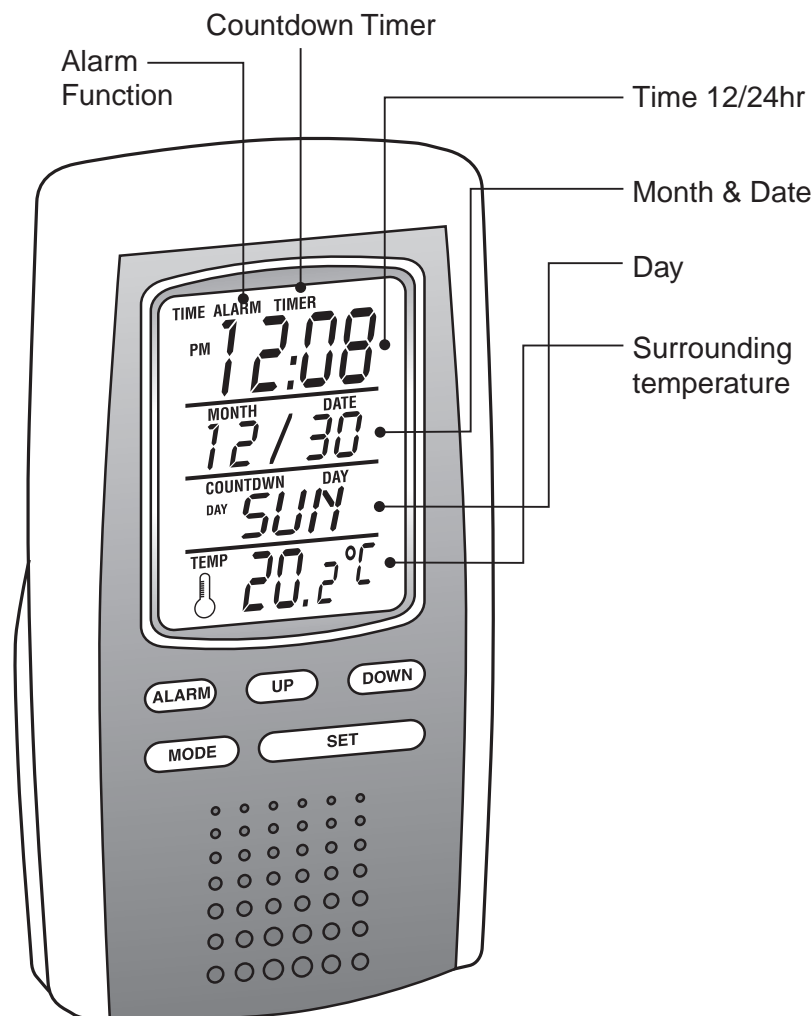
1. Remove the back of the case by pushing in the tab on the bottom with a small, flat screw driver.
2. There is a 4-positions dipswitch marked 1,2,3 & 4. Use a screwdriver to alter the dipswitch levers to the "On/Off" position, which can be altered to achieve total sixteen (16) possible digital codes.
3. Select any combination in bell push unit, then press the bell push button. The Door Chime unit will sound to indicate that the digital code is registered and memorized.
4. To re-set the digital code, simply remove the batteries from the Door Chime unit. This will erase its memory. Re-insert the batteries into the Door Chime unit will give 2-beeps sound to indicate that it is ready to learn the new digital code.
5. Test to ensure correct operation before final installation.

## Sound Volume Control Button



It is located at the back of item, press the button to adjust the sound volume goes up and down. There is total 8 different volume level set, 1=mute and 8=max, the door chime will start operate at sound level 6 initially.

## USING THE DIFFERENT FUNCTIONS



### TIME (setting)

To set the time ensure the "TIME" icon is showing in the top left hand corner of the screen, by pressing the "MODE" button a several times.

- Press the "MODE" button so that 12hrs / 24hrs, flashes on screen.
- Press the "Up" & "Down" buttons to choose 12hrs / 24hrs. Then press the "SET" button.
- The hour will now flash. Use the "Up" & "Down" buttons to choose the correct hour. Then press the "SET" button.
- The minutes will now flash. Use the "Up" & "Down" buttons to choose the correct minute. Then press the "SET" button.
- The year will now flash. Use the "Up" & "Down" buttons to choose the correct year. Then press the "SET" button.
- The month will now flash. Use the "Up" & "Down" buttons to choose the correct month. Then press the "SET" button.
- The date will now flash. Use the "Up" & "Down" buttons to choose the correct date. Then press the "SET" button.

The correct day is displayed automatically, when 12hrs / 24hrs flashes on screen, press the "MODE" button 4 times to show your "TIME" display.

- When setting the time, the second will set to zero automatically.
- When setting the date, the day of week will change automatically.
- When is Set mode, if the setting is inactive for 1 minute, it will change back to normal working mode automatically.

### Alarm (setting)

- Press the "ALARM" button to set the alarm. (This will have "ALARM" heading at the top of the screen.)
- Now Make sure the "ALARM" icon is showing at the top of the screen.
- Press "SET", the hour will now flash. Use the "Up" & "Down" buttons to choose the correct hour. Then press the "SET" button.
- The minutes will now flash. Use the "Up" & "Down" buttons to choose the correct minute. Then press the "SET" button.
- A number 1-9 will now flash. This is your alarm sound. Use the "Up" & "Down" buttons to choose your sound. Then press the "SET" button.
- To turn off the alarm function, press the "ALARM" button. Then press the "SET" button a few times until no digit is showing. The alarm function is now switched off. Use the "MODE" button to return to your normal display.

### Personal Reminder (setting)

- Press the "ALARM" button, then the "MODE" button once to enter the Personal Reminder function. (This will have NO heading at the top of the screen.)
- Press the "SET" button.
- The hour will now flash. Use the "Up" & "Down" buttons to choose the correct hour. Then press the "SET" button.
- The minutes will now flash. Use the "Up" & "Down" buttons to choose the correct minute. Then press the "SET" button.
- The year will now flash. Use the "Up" & "Down" buttons to choose the correct year. Then press the "SET" button.
- The month will now flash. Use the "Up" & "Down" buttons to choose the correct month. Then press the "SET" button.
- The date will now flash. Use the "Up" & "Down" buttons to choose the correct date. Then press the "SET" button.
- Press the "MODE" button 2 times to return to the "TIME" display.
- The unit will play a song for 5 minutes then stop automatically.
- To turn off the function, simply enter to the Personal Reminder mode, press the "SET" button a few times until no digit is showing.

### Timer (setting)

- Press the ALARM button, then the MODE button twice to enter the Timer function. (This will have TIMER heading at the top of the screen.)
- Press the SET button. The hour will now flash. Use the "Up" & "Down" bttons to choose the correct hour. Then press the "SET" button.
- The minutes will now flash. Use the "Up" & "Down" buttons to choose the correct minute.
- Press the "SET" button again to commence the countdown.
- The unit will sound and the display will flash for 1 minute when countdown time reads 0:00.
- Press the "SET" button to turn off the sound.

### Thermometer

- The unit will show the indoor temperature automatically.
- Use the Set button to change the reading to Celsius or Fahrenheit display.

### Important

1. Do not mount the Push Button onto any metal surfaces or UPVC doorframe, as this will reduce the operation range seriously.
2. Do not expose either unit directly to rain or immerse in water.
3. Do not mount either unit close to fireplace or expose to high teperature.
4. Do not drop either unit or subject to excessive blows.
5. Do not use different type of batteries, or mix up old and new batteries.
6. Always use alkaline batteries as these give longer service and are less likely to leak.
7. If leaving the doorbell for long period of time, remove the battery from compartment to prevent leakage.
8. Door Chime unit is designed for indoor use only.
9. Please dispose of old, defective batteries in an environmentally friendly manner in accordance with the relevant legislation.
10. Marke sure that no naked flame sources, such as lighted candles, should be placed on the unit.
11. The unit should not be exposed to dripping or splashing and that no objects filled with liquids, such as vases, shall be placed on the unit.
12. CAUTION: Replace only with the same or equivalent type of battery that is recommended by the manufacturer.
13. CAUTION: Danger of explosion if battery is incorrectly installed or replaced.

### Trouble Shooting & User Hints

Problem	Possible Causes	Suggested Remedy
Chime does not sound but LED lights on Push Button	1. Units are out of range (max. range 50M) 2. Push Button and Chime units are not on same digital code	1. Operate the Chime unit within the operation range (50M) 2. Re-set the frequency digital code (see Digital Code Set Up)
Chime does not sound plus no lights on Push Button LED	1. Flat Push Button battery 2. Wrong polarity of battery in Push Button	1. Change the battery 2. Re-insert battery as internal marking in right polarity
Chime sounds without Push Button being pressed	A similar Wire Free Door Chime product is operating nearby on the same frequency digital code	Change the digital code (see Digital Code Set Up)

Important: There are no serviceable parts in the unit, do not attempt to repair it.

### Specification

#### A. Push Button unit

Power : 2 x 3 volt Lithium batteries (CR2032 - included)  
Consumption : 7.0mA - ON  
0.003mA - OFF

#### B. Door Chime unit

Power : 2 x 1.5 volt alkaline batteries ("AA", UM3 & LR6 - not included)  
Consumption : 100mA - ON  
0.3mA - Stand By

#### C. Time Station

Power : 2 x 1.5 volt alkaline batteries ("AA", UM3 & LR6 - not included)  
Consumption : 100mA - ON

Type R2 Device - device where the sound output is created by the initial operation of the control and where the period of sound output continues for designed duration irrespective of condition of the control.

CE 0681

