

# Byron

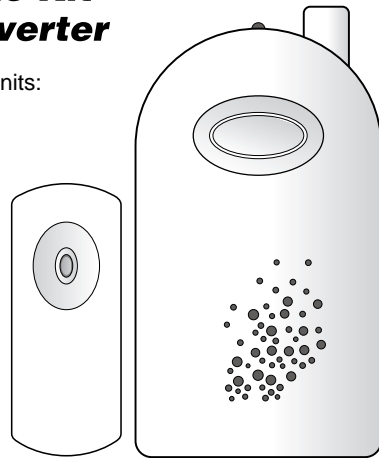
**SX-34**

## Wire Free Portable Door Chime Kit with Ultra Bright Light & Converter

The wirefree door chime kit consists of three separate units:

1. Converter unit (*Transmitter*)
2. Door chime unit (*Receiver*)
3. Wired Brass Bell Push

When the converter is activated, it sends a wirefree signal to activate the door chime. As the operating range is up to 100 metres (320 ft. approx.), you can mount or take the door chime virtually anywhere in the home, workshop, office or garden and use the system as a short-range personal pager. However, the operating range of the wirefree signal will be reduced if the signal is transmitted through a number of walls or ceilings. Metal, and UPVC doorframes will also reduce the operating range.



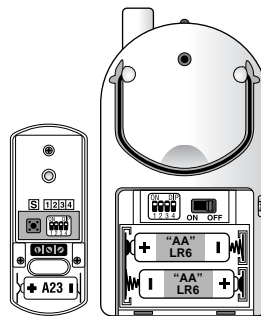
### Battery Installation

#### Wire Free Converter

1. The Converter unit is operated by 1 x 12 volt battery (A23 - *included*).
2. Remove the back of the case by pushing in the tab on the bottom with a small, flat screwdriver.
3. Insert 1 x 12 volt battery (A23 - *included*) in the battery compartment, ensuring the battery polarity matches the internal markings.
4. Snap the front cover of Converter back on, then it is ready to use.

#### Door Chime unit

1. Slide open the battery compartment door on the back of the unit. Insert 2 x 1.5 volt alkaline batteries ("AA", UM3, R6 size - *not included*), ensuring the battery's polarity matches the internal markings. Close the battery door and the chime unit is now ready to use.
2. Alternatively the unit can be powered by an A/C-D/C 9 volt 300mA adaptor (Byron model SX-36 - *not included*). No batteries are required for the chime unit using this method. **PLEASE MAKE SURE YOU REMOVE ANY BATTERIES FROM THE UNIT WHEN USING THE PLUG ADAPTOR TO POWER THE CHIME UNIT.**
3. This chime unit can be completely portable, or fixed in one place. There is a specially designed hanging arm available at the back of the chime for ease of portability.



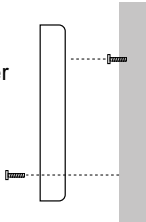
### Installation Guide

**Wired Bell push:** Using the two holes of the back of push button as a template, mark the fixing position for the unit. Drill holes and fit wall plugs and secure the Bell Push unit with screws (self-tapping N3 x 16mm screw) in position onto your front door or the position nearby.

**Converter unit:** Drill hole and fit wall plug (if fixing to masonry) and screw (self-tapping N3 x 16mm screw) to fixing position. Leave a gap of 2mm between the screw head and the wall.

Locate the keyhole slot on the back of the chime unit, over the screw. Then use the second hole located at the bottom half of the converter as a template, mark the fixing position for the unit. Drill hole and fit wall plug and secure the converter unit with the screw (self-tapping N3 x 16mm screws - *included*) in position.

**Important:** Mounting the converter unit on UPVC doorframes or metal surfaces will reduce the broadcasting range seriously.



**Door Chime unit:** This has a folding carry/hanging handle on the rear, this will enable the chime unit to hang on a screw and be easily removed or relocated to another room. Drill a hole and fit wall plug (if fixing to masonry) and screw (self-tapping N3 x 16mm screw *included*) to fixing position. Leave a gap of 3mm between the screw head and the wall. Use the hanging arm to hang your chime.

### Melody Selection

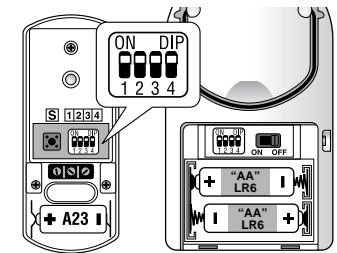
The melody selector is located inside the converter unit. It is a small button on the top left corner of battery compartment marked with "S". Press the switch once, the melody will change to the next one on the list, there are total 8 melodies for selection. The converter is pre-set to "Westminster" therefore, if no change is required, it should not be adjusted.

- |                          |                       |
|--------------------------|-----------------------|
| 1) Westminster - 8 notes | 5) Banjo on my knee   |
| 2) Ding-Dong - Repeat    | 6) Twinkle, Twinkle   |
| 3) Telephone Ring        | 7) It's a small world |
| 4) Circus Theme          | 8) Dog Barking        |

### Channel Selection

The unit comes from the factory on a pre-set radio frequency channel. However, should your door chime activate intermittently for no reason at all, it is possible that a similar unit is operating nearby on the same frequency digital code. The encoded frequency of the Converter (transmitter) and Door Chime (receiver) can be changed to avoid this problem.

1. **Converter:** Remove the back of the case by pushing in the tab on the bottom with a small, flat screwdriver.
2. **Door Chime Unit:** Slide open the battery compartment. There is 4 position dip switch marked 1,2,3,4. Use an insulated tool to alter the dip switch levers to the "On" or "Off" position, which can be altered to achieve a total of sixteen (16) possible digital code.
3. Select any combination ensuring it is set to the same code on **both** converter and door chime units. E.g. If the 1<sup>st</sup> & 2<sup>nd</sup> dipswitches are down in your converter, then the 1<sup>st</sup> & 2<sup>nd</sup> dipswitches must be down in your chime unit.
4. Test to ensure correct operation before final installation.



### Wiring Installation

The Converter is designed to change your new Brass Wired Bell Push to wirefree.

1. Simply connect your Wired Bell Push with the cable from Converter to the terminals on your bell push.
2. Your Wired Bell Push with Converter is ready to use.

In case a Transformer (A/C 8V) is used to power the Wired Bell Push and Wired Door Chime.

1. Remove the back of the case by pushing in the tab on the bottom with a small, flat screwdriver.
2. Disconnect the wire that is connected with the Wired Door Chime.
3. Feed the wire via the hole on the back of the Converter, connect the wire to the terminal

# Wire Free Portable Door Chime Kit with Ultra Bright Light & Converter-SX-34

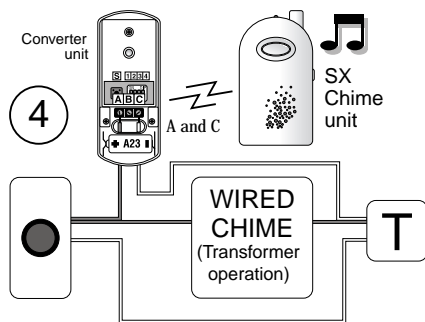
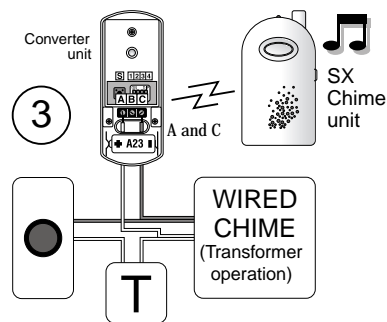
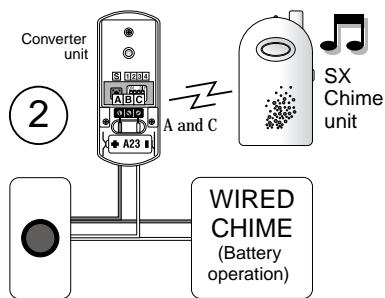
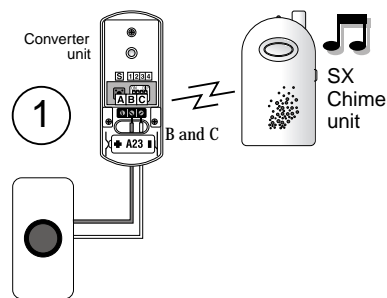
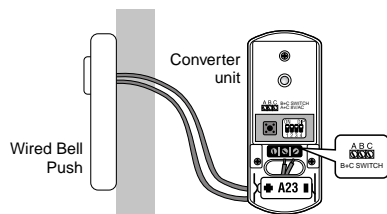
positions marked in diagrams below.

4. Snap the front cover of converter back on, then it is ready to use.

**Important:** Do not connect the Converter unit with any Lighted Bell Push.

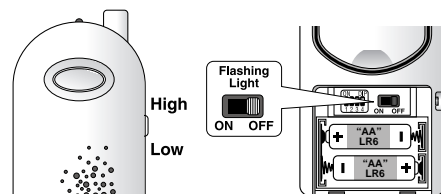
Please note that these diagrams are only for reference as a guide.

**EACH Wired chime can be wired differently, so if you encounter problems, PLEASE CALL THE HELPLINE NO. 0121 5449499**



## Sound Volume Adjustment

Melody sound volume can be adjusted to high or low, the high-low switch is located at the side of the door chime unit.



## Flashing Light Function

If the flashing ultra light is not required, simply switch the function off. The on/off switch is located inside the door chimes battery compartment.

## Important

1. Do not mount the Converter unit onto any metal surface or UPVC doorframe, as this will reduce the operation range seriously.
2. Do not expose the unit directly to rain or immerse either in water.

3. Do not mount the Converter close to fireplace or expose to high temperature.
4. Do not drop the Converter or subject to excessive blows.
5. The Converter and Door Chime units are designed for indoor use only.
6. Always use alkaline batteries as these will give longer service and are less likely to leak.
7. Please dispose of old, defective batteries in an environmentally friendly manner in accordance with the relevant legislation.
8. Make sure that no naked flame sources, such as lighted candles, should be placed on the unit.
9. The unit should not be exposed to dripping or splashing and that no objects filled with liquids, such as vases, shall be placed on the unit.
10. **CAUTION:** Replace only with the same or equivalent type of battery that are recommended by the manufacturer.
11. **CAUTION:** Danger of explosion if battery is incorrectly installed or replaced.

## Trouble Shooting & User Hints

Problem	Possible Causes	Suggested Remedy
Chime does not sound but LED lights on the converter	<ol style="list-style-type: none"> <li>1. Units are out of range (max. range 100m)</li> <li>2. Converter and chime units are not on same channel</li> <li>3. Converter not wired correctly</li> </ol>	<ol style="list-style-type: none"> <li>1. Operate the Chime unit within the operation range (100m)</li> <li>2. Re-set the digital code (see Digital Code Set Up)</li> <li>3. See wiring diagrams opposite</li> </ol>
Chime does not sound plus no lights on Push Button LED	<ol style="list-style-type: none"> <li>1. Flat Converter battery</li> <li>2. Wrong polarity of battery in converter</li> </ol>	<ol style="list-style-type: none"> <li>1. Change the battery</li> <li>2. Re-insert battery as internal marking in right polarity</li> </ol>
Chime sounds without converter being pressed	A similar wirefree door chime product is operating nearby on the same frequency digital code	Reset the digital code (see Digital Code Set Up)

**NOTE:** There are no serviceable parts in the unit, do not attempt to repair it.

## Specification

### A. Converter

Power : 1 x 23A battery (included, replace with Byron model SD-100)  
 : 3.0mA - ON  
 Consumption : 0.003mA - OFF

### B. Door Chime unit

Power : 2 x 1.5volt batteries ("AA", R6 or UM3 - not included)  
 Alternatively powered by A/C-D/C 9volt 300mA adaptor (Byron model SX-36 - not included)  
 Consumption : 100mA - ON  
 : 0.3mA - Stand-by

Operating Temperature : -10°C to +40°C  
 Operating Distance : 100 metres (320 feet approx.) in open field  
 Selectable Tone : Total eight (8) tones available  
 Selectable digital code : Total sixteen (16) possible digital codes