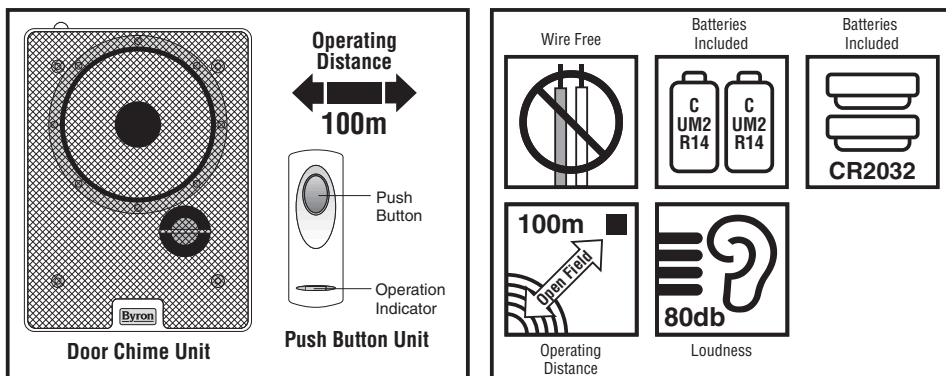


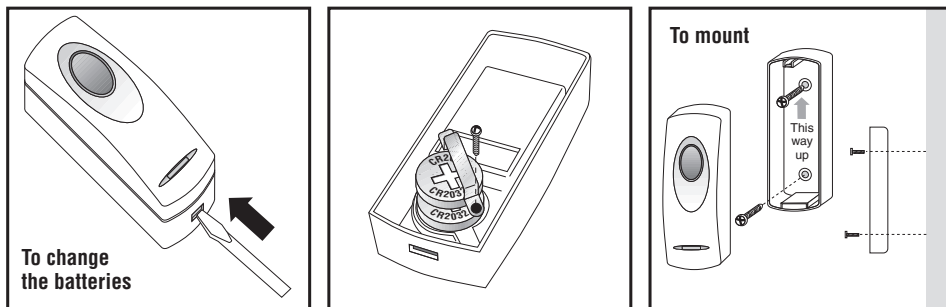
# Byron 3" Speaker Door Chime Kit SX-202



No wiring is required for this Wire Free Door Chime Kit. When the Push Button is pressed, it sends a wire free signal to the door chime unit that activates the chime. As the operating range is up to 100 metres (320 ft. approx. - in open field), you can mount or take the door chime virtually anywhere in the home. However, the transmission range of the wire free signal will be reduced if the signal is transmitted through a number of walls or ceilings. Metal, and UPVC doorframes will also reduce the operating range.

## Push Button Unit

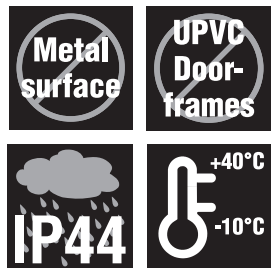
2 x 3 volt Lithium batteries (CR2032) have already been installed. Your Push Button is ready to use.



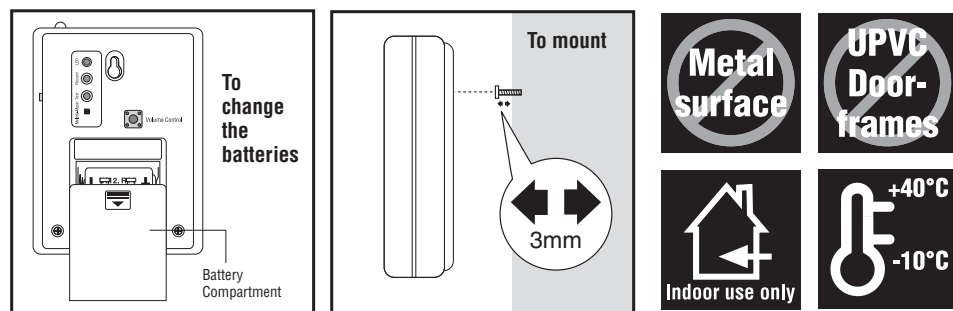
Remove the back of the case by pushing in the tab on the bottom with a small, flat screw driver.

Remove the locking screw from the battery fastener. Insert 2 x 3 volt CR2032 Lithium batteries (Byron SX100) in the battery compartment, ensuring the battery polarity matches the internal markings, then tighten the screw on the battery fastener to hold the batteries firming in their compartment.

Using the two holes on the back of Push Button as a template, mark the fixing position for the unit. Drill holes and fit wall plugs and secure the Push Button unit with screws (self-tapping N3 x 16mm screw).



## Door Chime Unit



Slide open the battery compartment door. Insert 2 x 1.5 volt alkaline batteries ("C", UM2 & R14 - included) into the battery compartment, ensuring the battery polarity matches the internal markings. It will beep twice to indicate that it is ready for the new operation code registration (Please see Digital Code Set Up). Close the battery door, then the chime unit is ready to use.

It has a slotted hang hole on the rear of the unit, this will enable the chime unit to be hooked onto a screw and easily removed or relocated to another room. Drill a hole and fit a wall plug (if fixing to masonry) and screw (self-tapping 3 x 16mm screw) to fixing position. Leave a gap of 3mm between the screw head and the wall. Locate the keyhole slot on the back of the unit over the screw.

## Sound Selection

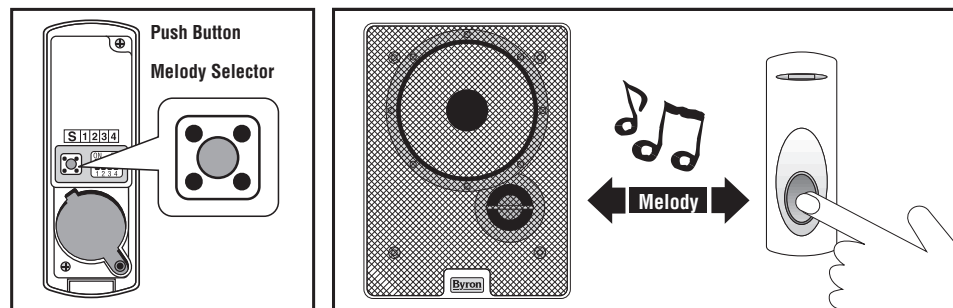
There are 2 ways to select the desired melodies as your doorbell sound either by switching the sound selection switch to "Music" or Melody".

- a) **Music:** Doorbell will play the recorded music as the doorbell sound.
- b) **Melody:** Doorbell will play the preset melody as the doorbell sound, there are total of 8 melodies stored.

## Melody Selection

The Melody Selector is located inside the push button unit. It is a small button on the top left corner of battery compartment marked with "S". Press the switch once, the melody will change to the next one on the list, there are a total of 8 melodies for selection.

The Push Button is pre-set to "Electro Mechanical - Ding Dong" therefore, if no change is required, it should not be adjusted.



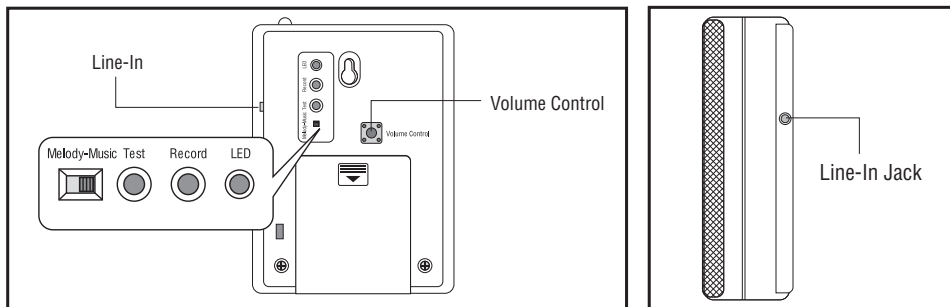
- 1) Electro Mechanical - Ding Dong
- 2) Westminster - 8 notes
- 3) Jive
- 4) Wedding March
- 5) Piano
- 6) Harmony
- 7) Dog Barking
- 8) Ringer

Additional Byron "SX" range products can be purchased for compatibility. SX-4 & SX-41 models will not work with other SX models

## Record Your Favourite Music as Door Chime Melody

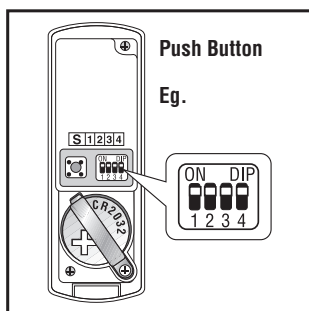
You can record 10 seconds of your favourite music as your doorbell sound.

- 1) Firstly switch the sound selection switch (located at the back of doorbell) to the position marked "Music".
- 2) There are 2 ways to record your own music:
  - a) Line-In Recording: Link up the sound source with the chime unit by the cable provided. Plug one end of the cable into the line-in jack located at the side of chime unit, plug another end in to the earphone jack of the sound source. Adjust the sound volume of the sound source to a suitable level, so that the quality of sound is good enough to be used as chime sound. Start playing the music from the sound source and press & hold the "Record" button on the chime unit for 10 seconds at the same time. During recording, the Red LED Light at the back of the chime unit will light up, and turn off after the recording procedure is completed.
  - b) Using the built-in microphone: Point the microphone to the music source, press and hold the "Record" button for 10 seconds. During recording, the Red LED Light at the back of the chime unit will light up, and turn off after the recording procedure is completed.
- 3) Press the "Test" button once to hear the recorded music, if no change is required, then the doorbell will play this music as your doorbell melody whenever the bell push is pressed.



## Digital Code Set Up

The unit comes from the factory on a pre-set radio frequency digital code. However, should your door chime activate intermittently for no reason at all, it is possible that a similar unit is operating nearby on the same frequency digital code. The encoded frequency of the Push Button (transmitter) can be changed to avoid this problem. The Door Chime unit is equipped with an advanced self-learning operation code ability therefore no setting is needed.



1. Remove the back of the case from the Bell Push unit.
2. There are 4-position dipswitch marked 1,2,3 & 4. Use a screwdriver to alter the dipswitch levers to the "On/Off" position, which can be altered to achieve a total of sixteen (16) possible digital codes.
3. Select any combination on the Push Button. Press the Push Button, the Door Chime unit will sound to indicate that the new operation code is registered and memorized, and it will only work with it.
4. To re-set the operation code, simply remove the batteries from the Door Chime unit and rest for 30 seconds, it will erase the memory. Re-insert the batteries into the Door Chime unit, it will give 2-beeps to indicate that it is ready for the new code registration. Press the Push Button to confirm the new code is working.
5. Test to ensure correct operation before final installation.

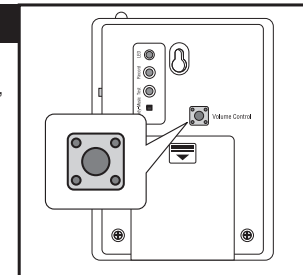
## Door Chime Operation

Press the button on the Push Button unit once, the LED indicator will light up during signal transmission for 1 second, and Door Chime unit will sound. The sound will stop as soon as the melody ends. For repeat sound, press the button again. Holding the button in will **NOT** repeat the sound.

## Sound Volume Adjustment

Sound Volume Control Button is located at the back of the chime unit, press the button to adjust the sound volume up or down. There is a total of 8 different volume levels set, 1=mute and 8=max, the door chime will start operating at sound level 6.

Please note that the volume adjust button will not work when the sound choice is switched to music.



## Important

1. Do not mount either unit close to fireplace or expose to high temperatures.
2. Do not expose the Door Chime unit to direct sunlight or moisture.
3. Always use alkaline battery. Please dispose of old, defective batteries in an environmentally friendly manner in accordance with the relevant legislation.
4. Make sure that no naked flame sources, such as lighted candles, should be placed on the unit.
5. The unit should not be exposed to dripping or splashing and that no objects filled with liquids, such as vases, shall be placed on the unit.
6. **CAUTION:** Replace only with the same or equivalent type of battery that is recommended by the manufacturer.
7. **CAUTION:** Danger of explosion if battery is incorrectly installed or replaced.

## Trouble Shooting & User Hints

Problem	Possible Causes	Suggested Remedy
Chime does not sound but LED lights on Push Button	1. Units is out of range (max. range 100M) 2. Push Button and Chime units are not on same digital code	1. Operate the Chime unit within the operation range (100M) 2. Re-set the digital code (see Digital Code Set Up)
Chime does not sound plus no lights on Push Button LED	1. Flat Push Button battery 2. Wrong polarity of battery in Push Button	1. Change the battery 2. Re-insert battery as internal marking in right polarity
Chime sounds without Push Button being pressed	A similar Wire Free Door Chime product is operating nearby on the same frequency digital code	Change the digital code (see Digital Code Set Up)

**NOTE:** There are no serviceable parts in the unit, do not attempt to repair it.

## Specification

- A. Push Button unit**  
 Power : 2 x 3 volt Lithium battery (CR2032 - included)  
 Consumption : 7.0mA - ON  
 0.003mA - OFF
- B. Door Chime unit**  
 Power : 2 x 1.5 volt alkaline batteries ("C", UM2 & LR14 - not included)  
 Consumption : 100mA - ON / 0.15mA - Stand By

Operating Temperature : -10°C to +40°C  
 Operating Distance : 100 metres (320 feet approx.) in open field  
 Recording Time : 10 seconds  
 Selectable Melody : Total eight (8) melodies  
 Selectable Digital Code : Total sixteen (16) possible digital codes



Type R2 Device - device where the sound output is created by the initial operation of the control and where the period of sound output continues for designed duration irrespective of condition of the control.