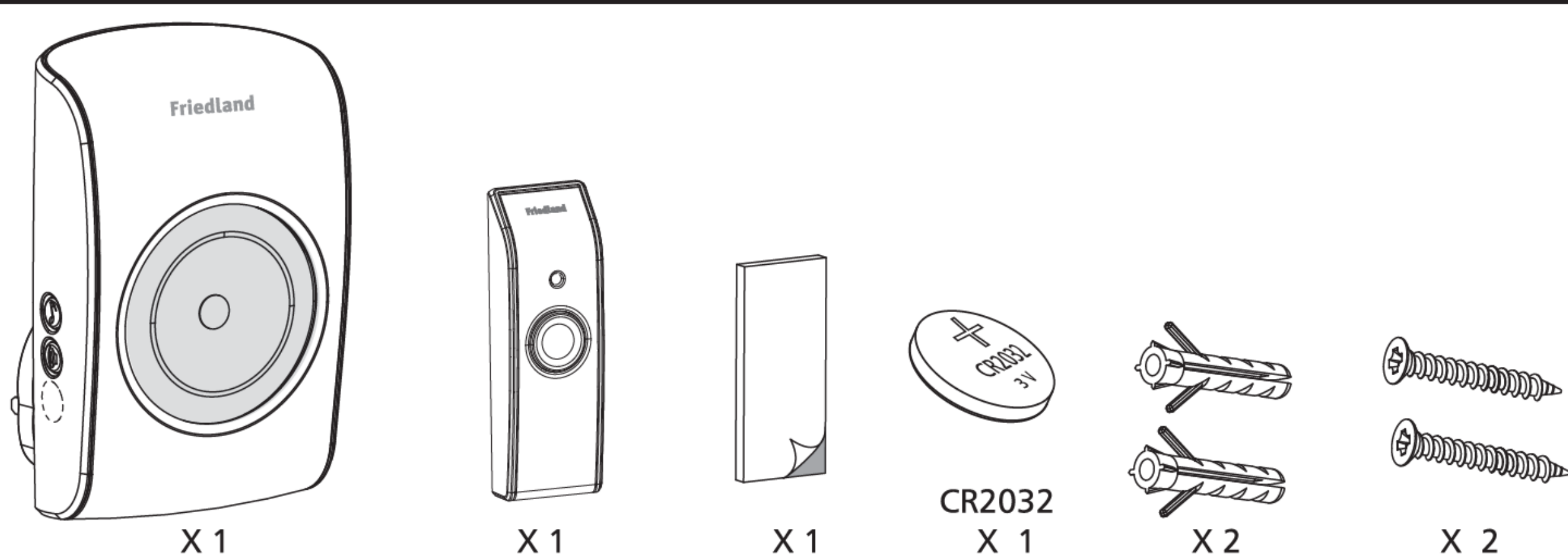
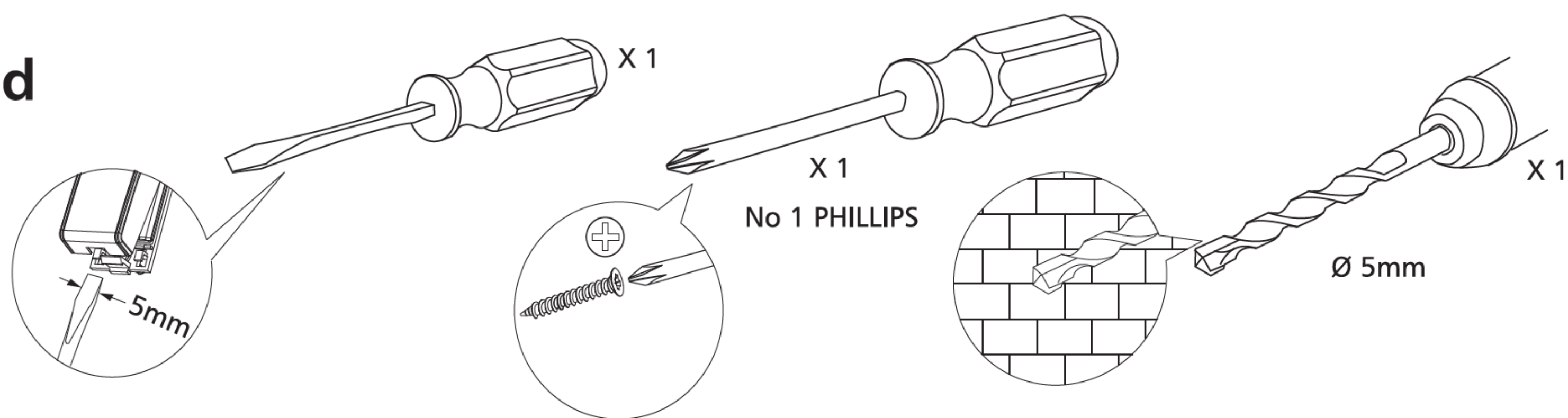


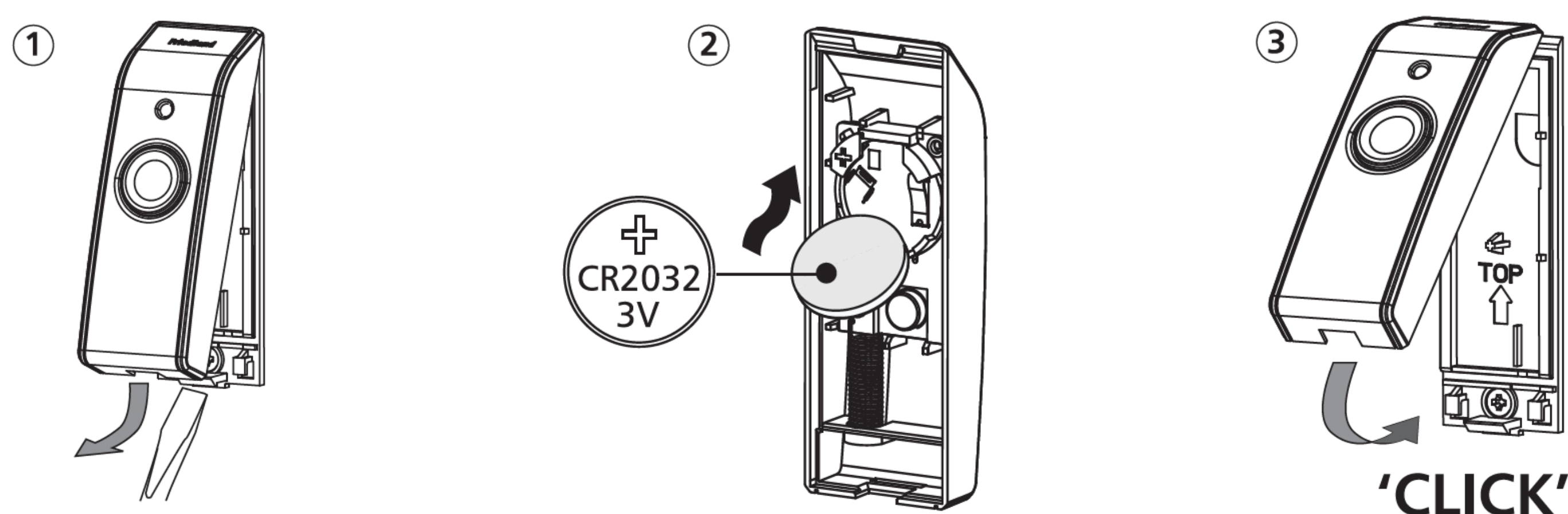
### (1) Pack contents



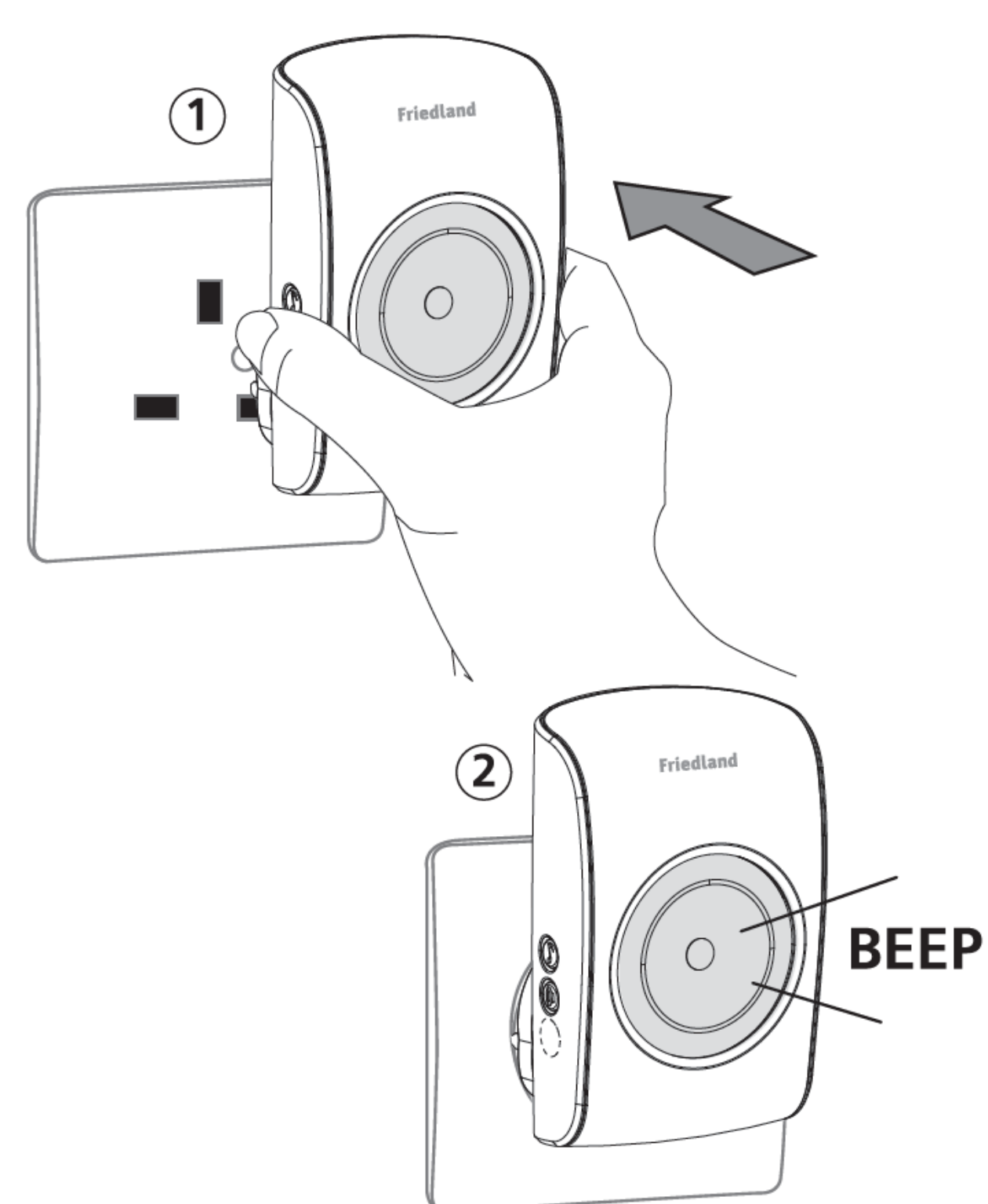
### (2) Required



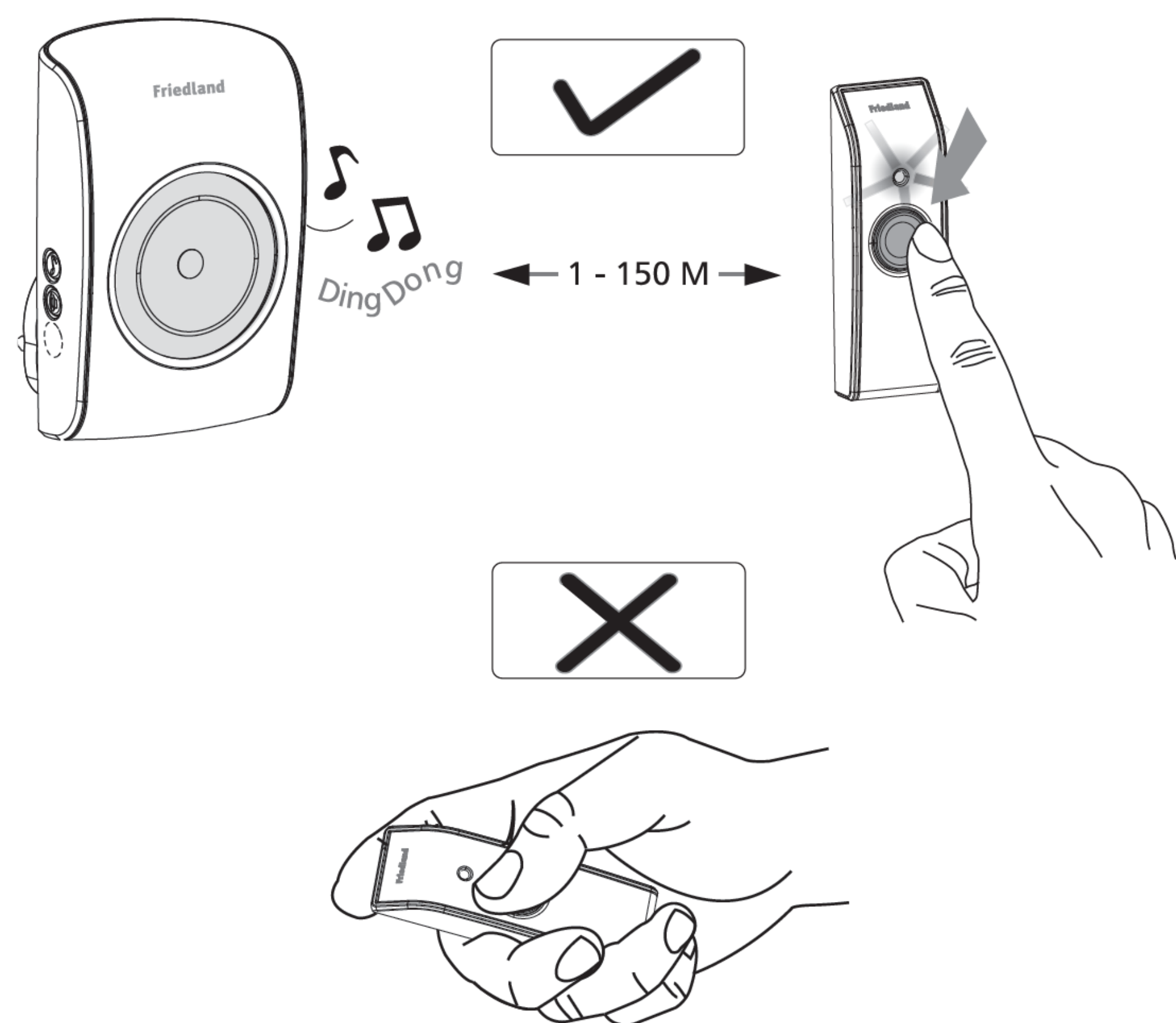
### (3) Battery installation



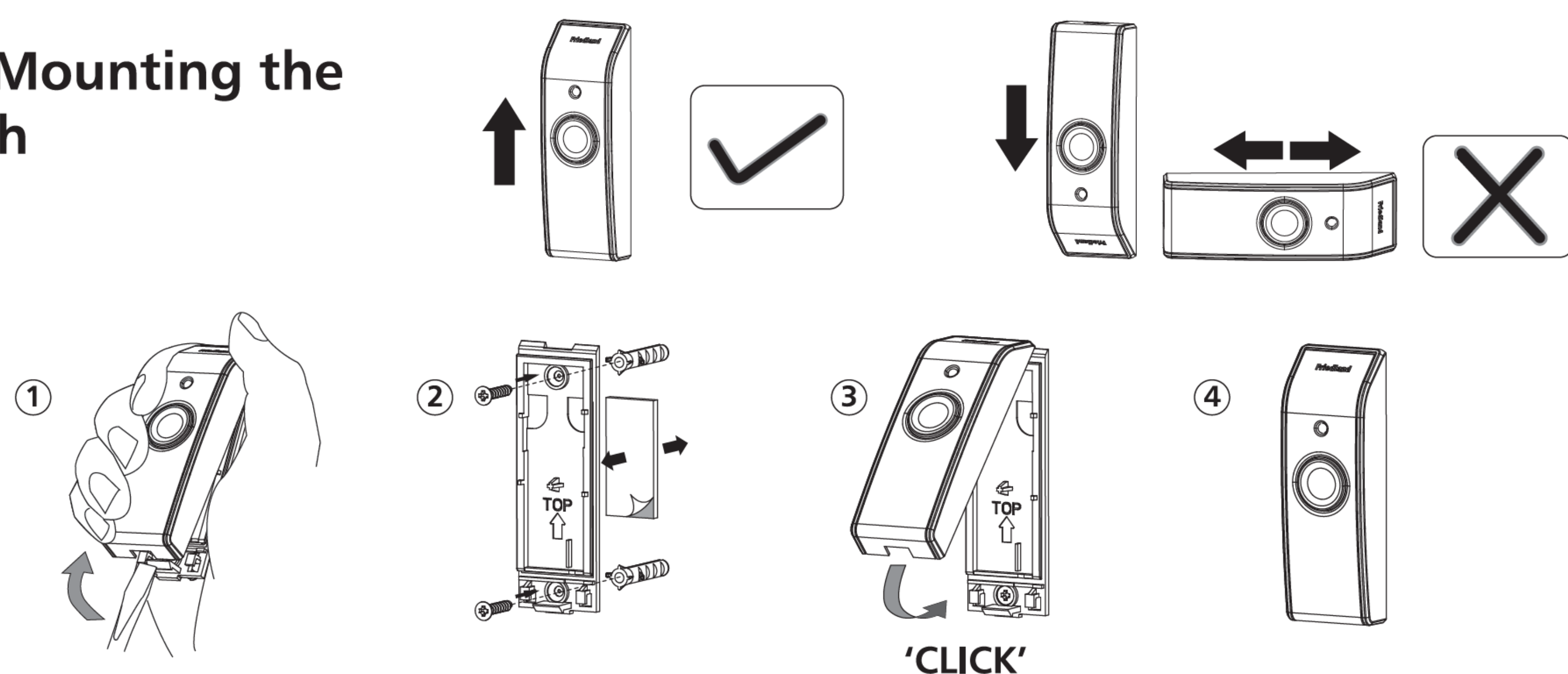
### (4) Power up chime



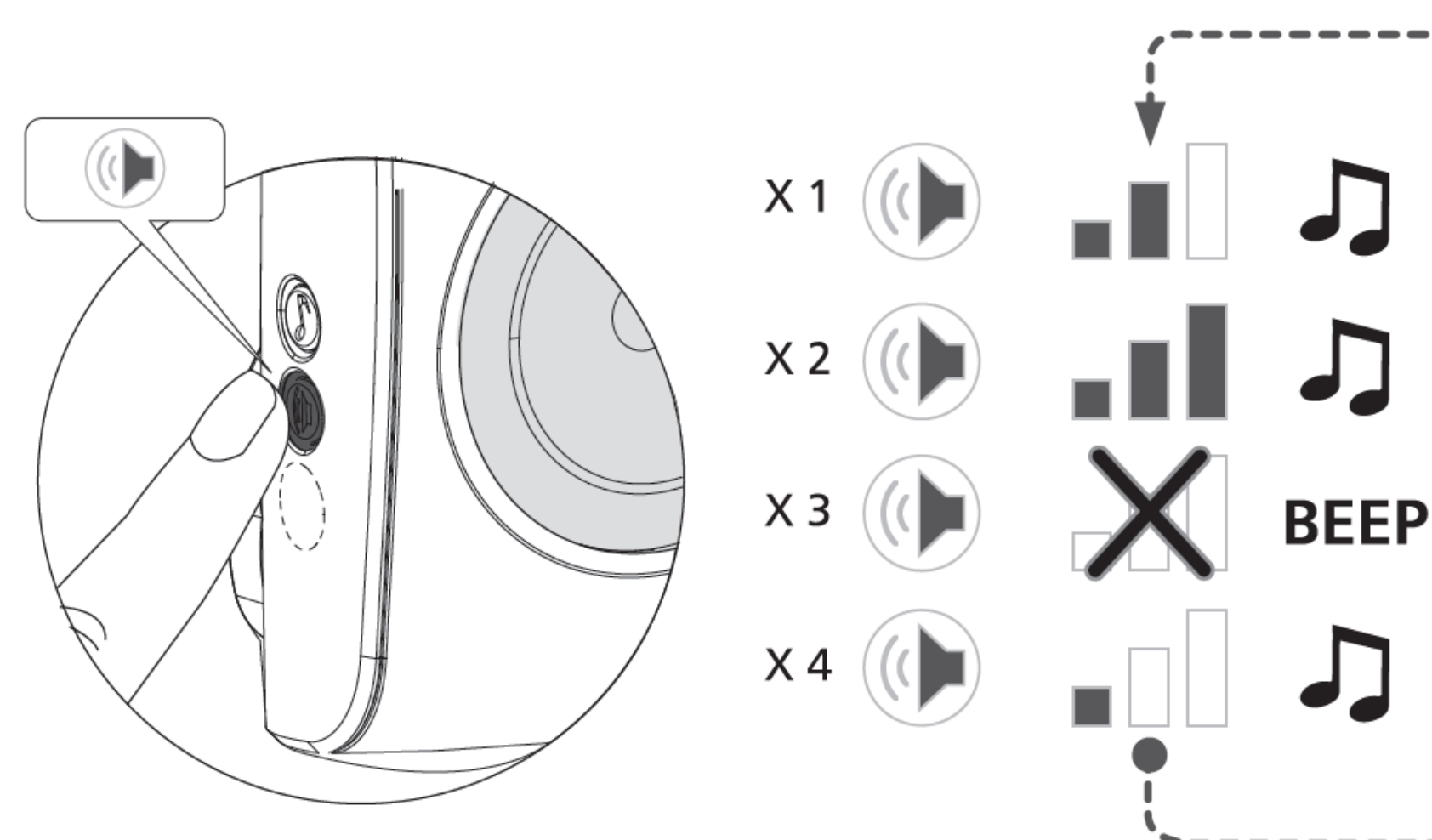
### (5) Testing



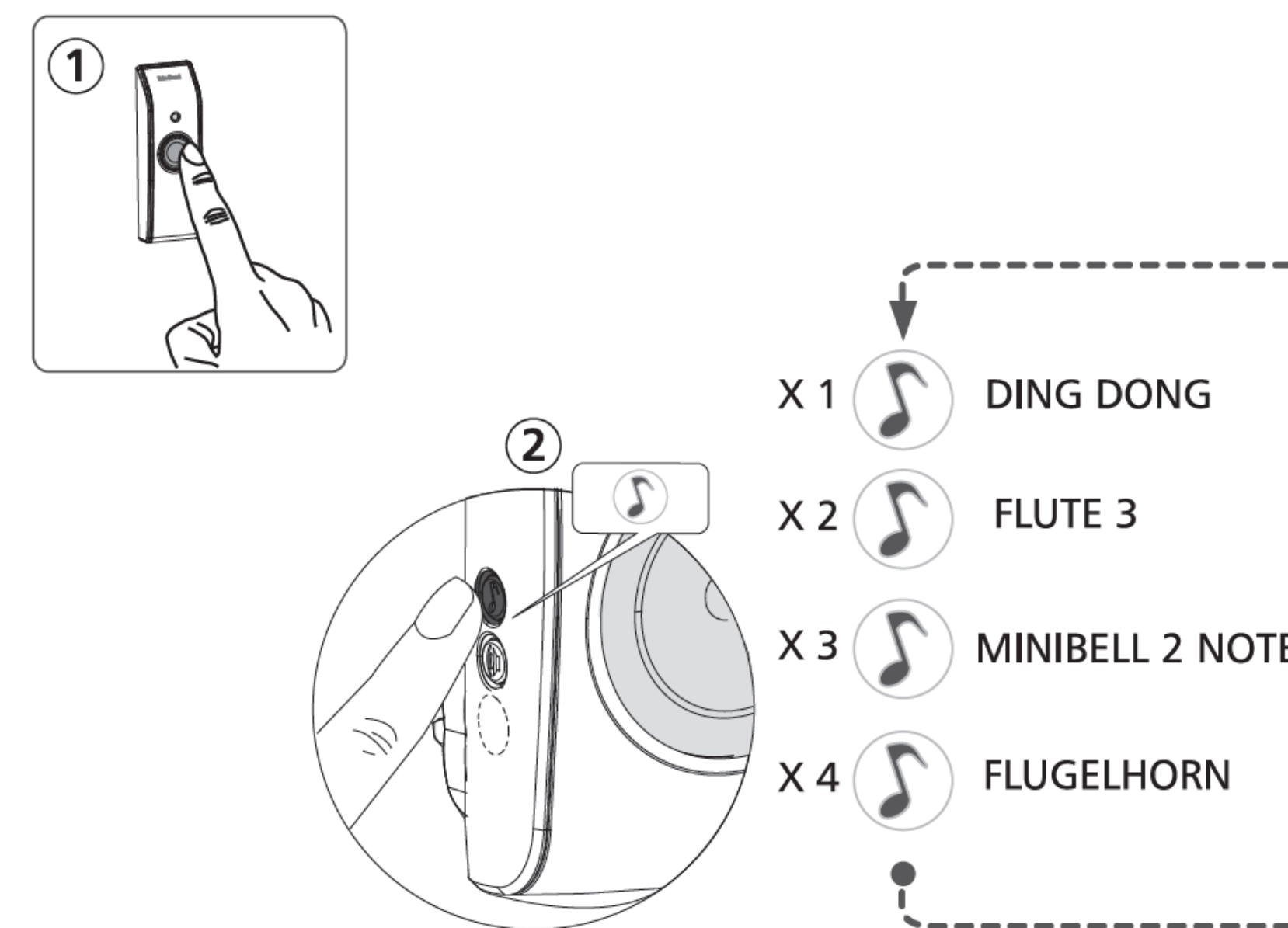
### (6) Mounting the push



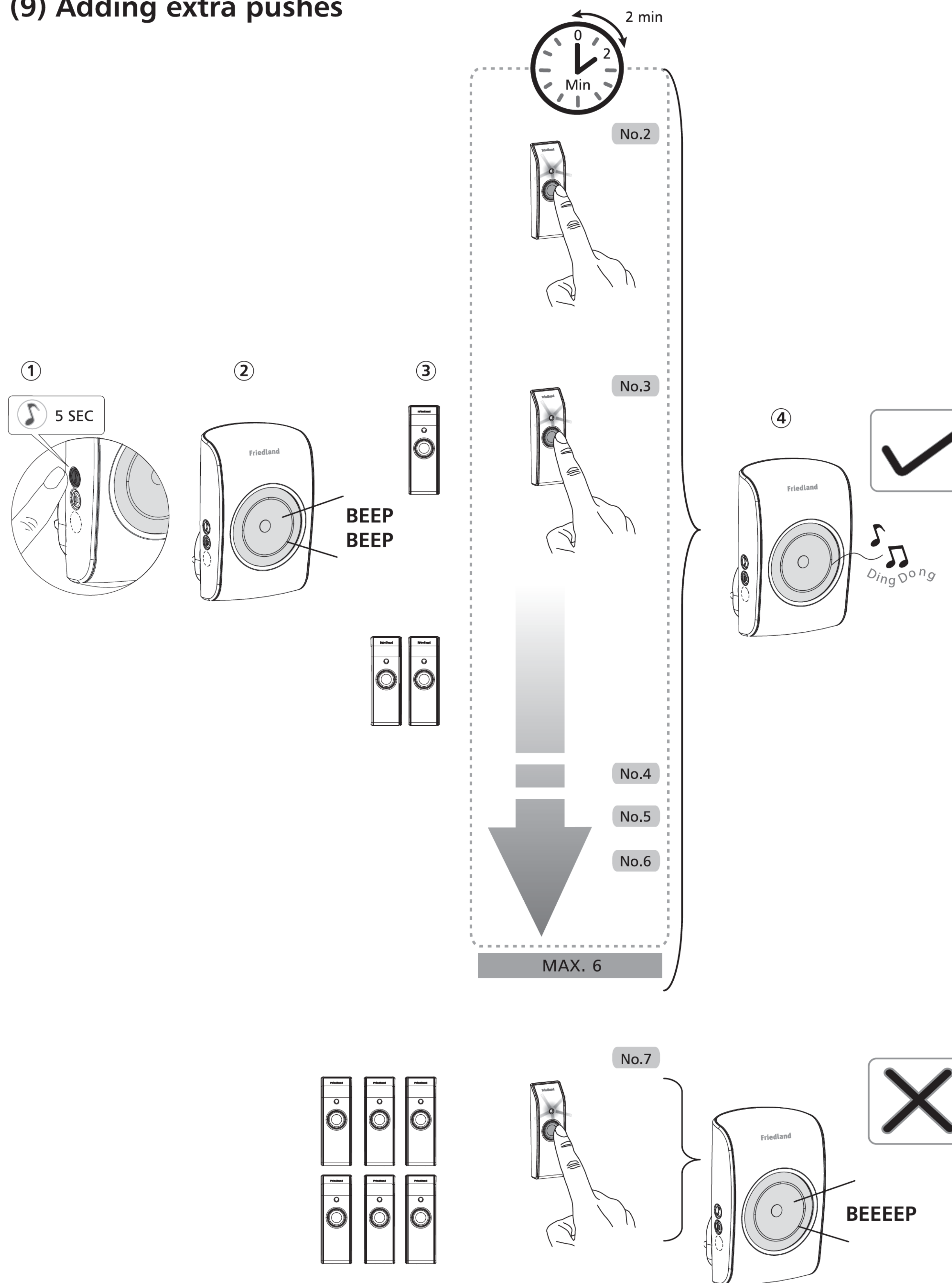
### (7) Volume control



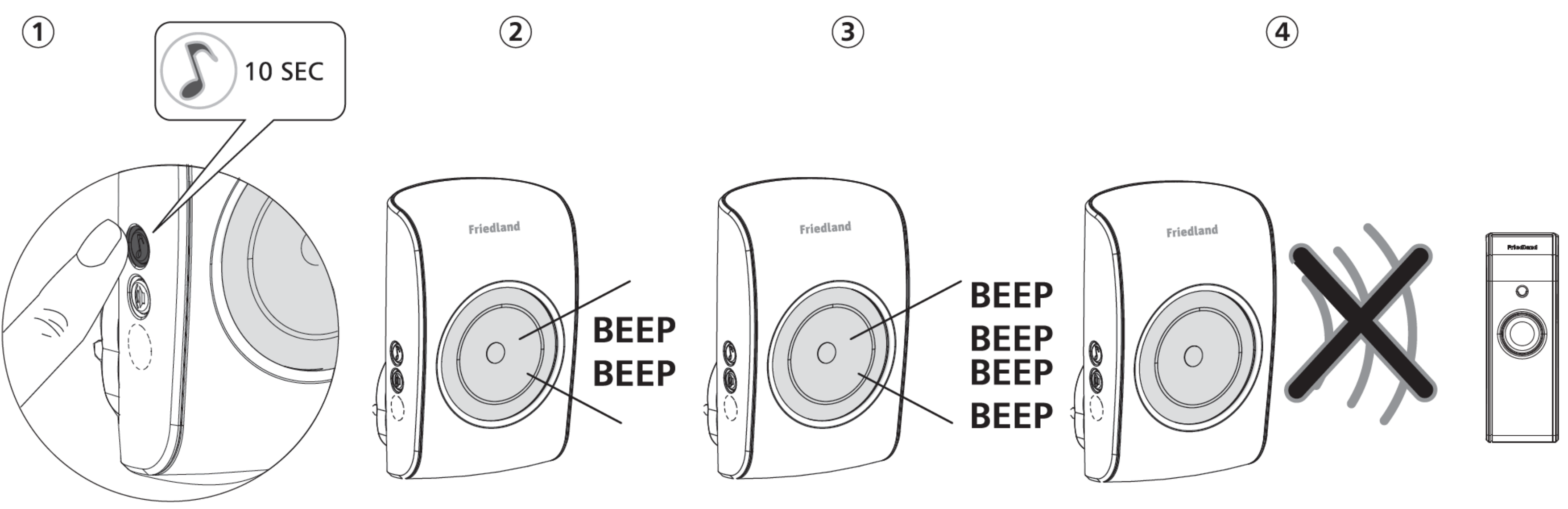
### (8) Tune selection



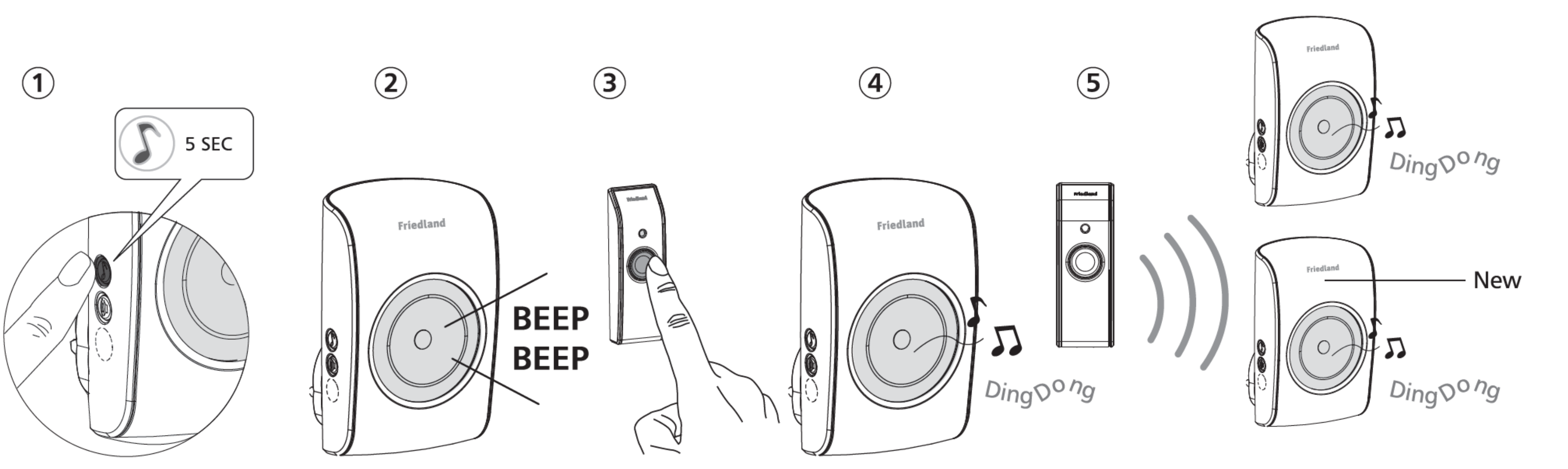
### (9) Adding extra pushes



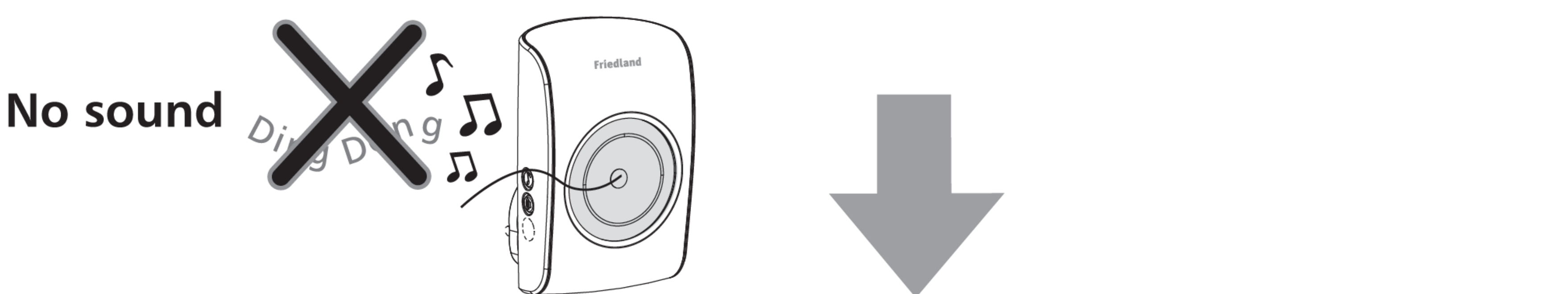
**(10) Erasing all pushes**



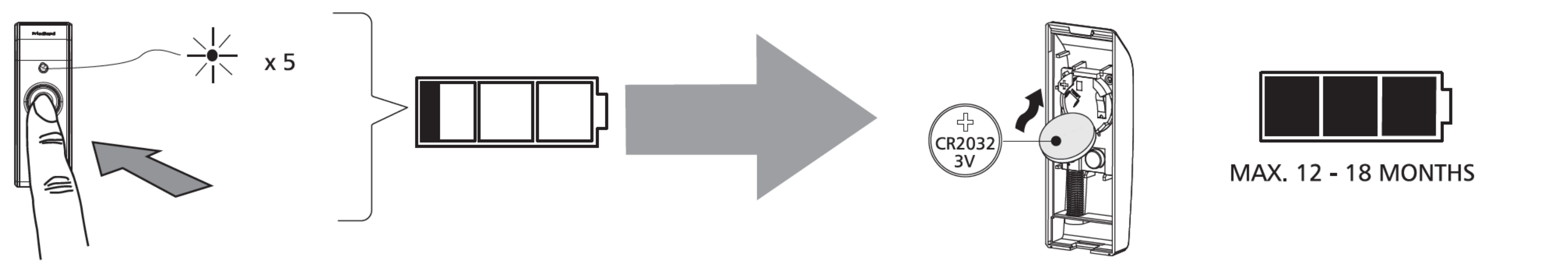
**(11) Adding extra chimes**



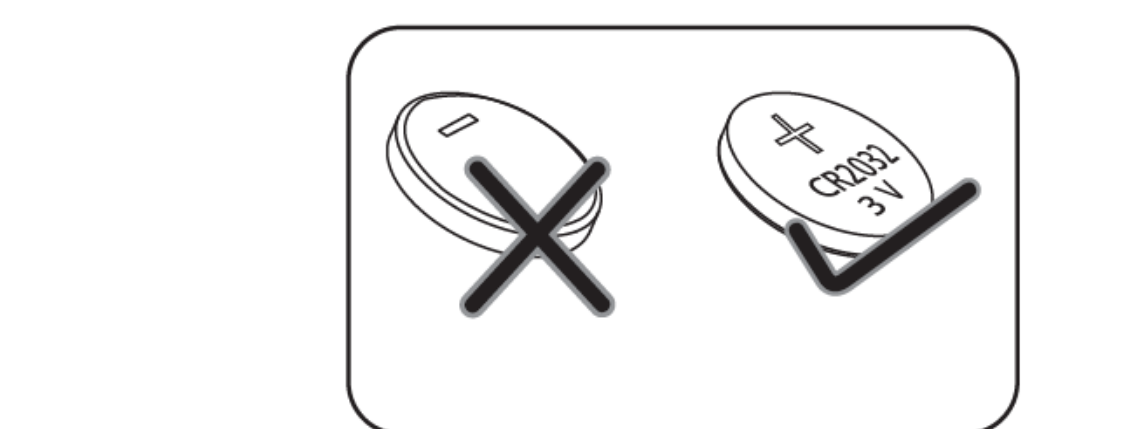
**Troubleshooting**



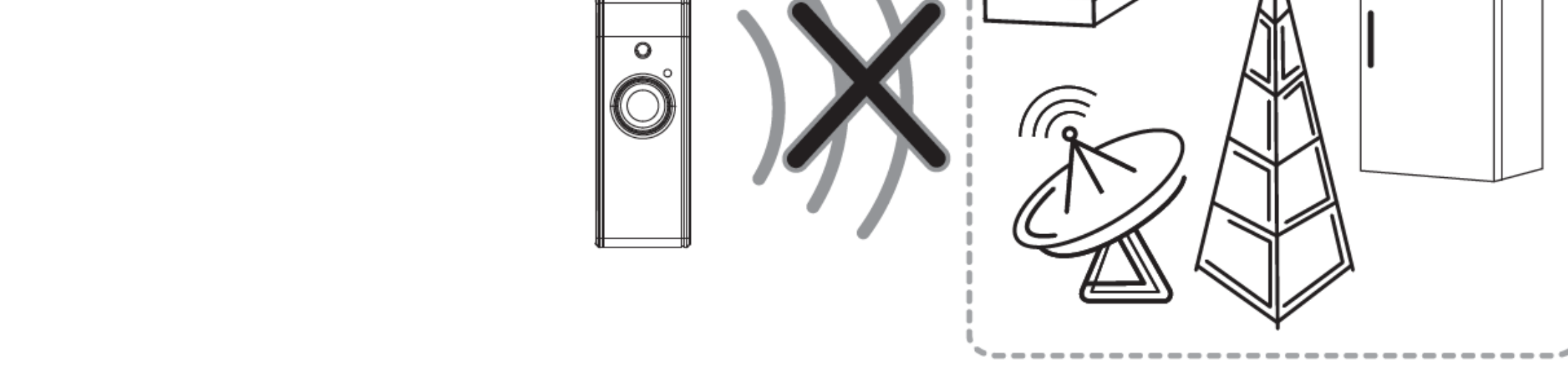
**(1) Low battery**



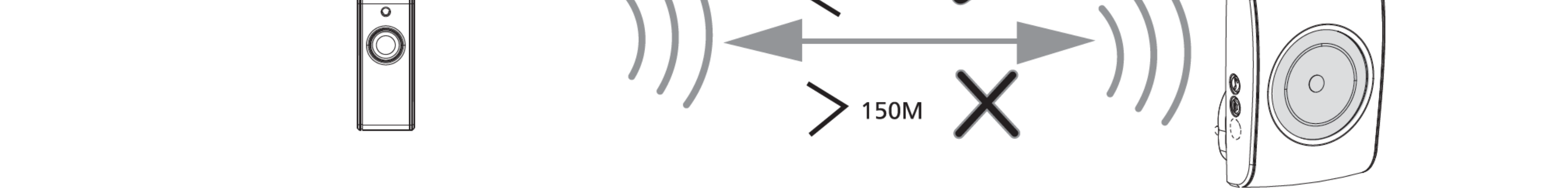
**(2) Incorrect polarity**



**(3) Obstacles**

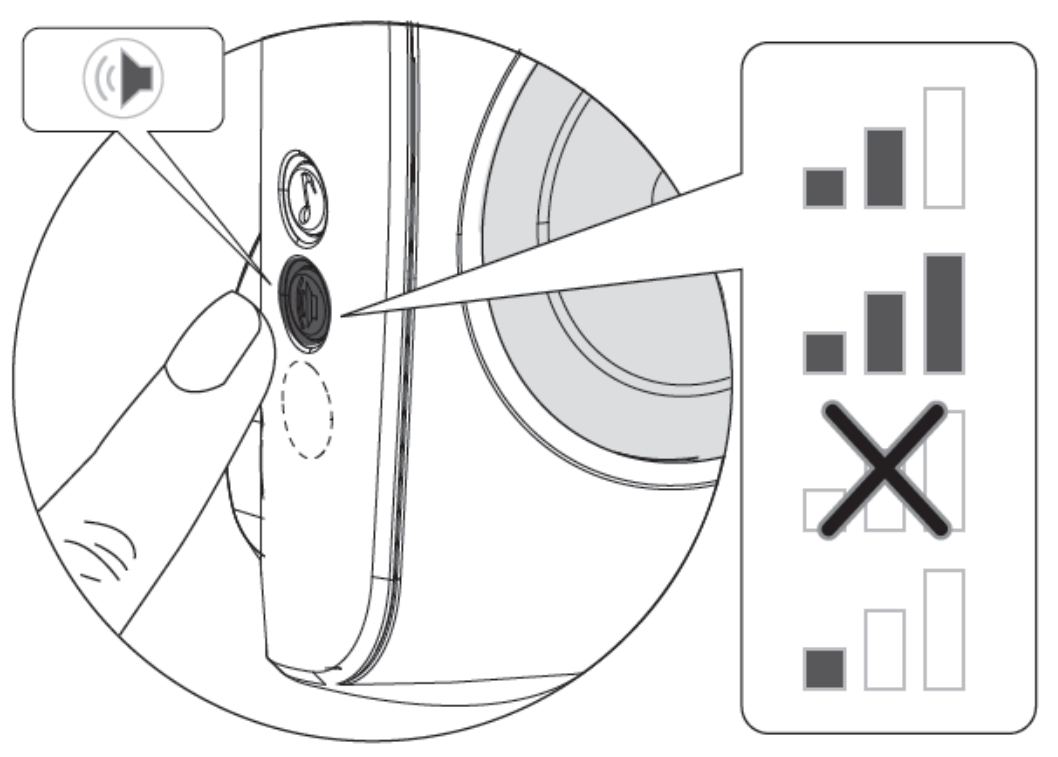


**(4) Range**



**Troubleshooting**

**(5) Volume off**



Please retain these instructions for future reference.

**Declaration**

Novar ED&S hereby declares that this wirefree product is in compliance with the essential requirements and other relevant provisions of the Radio and Telecommunications Terminal Equipment (R&TTE) directive, 1999/5/EC. Friedland guarantees this product for 2 years from date of purchase. Proof of purchase is required, this does not affect your statutory rights.

**Disposal & Recycling**

Batteries and waste electrical products should not be disposed of with household waste. Please recycle where these facilities exist. Check with your local authority or retailer for recycling advice.

Friedland Novar ED&S Ltd  
 The Arnold Centre  
 Paycocke Road  
 Basildon, Essex  
 SS14 3EA  
 England

**Friedland Helpline: 0844 7369149**

[www.friedlandproducts.com](http://www.friedlandproducts.com)