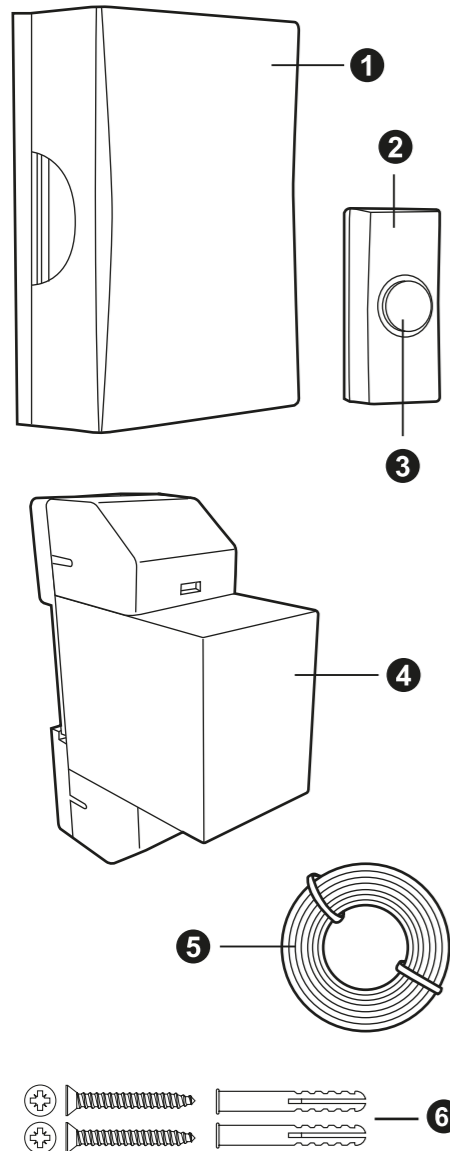


Byron™

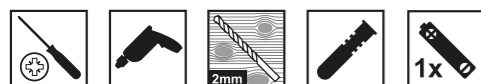
Wired door bell kit



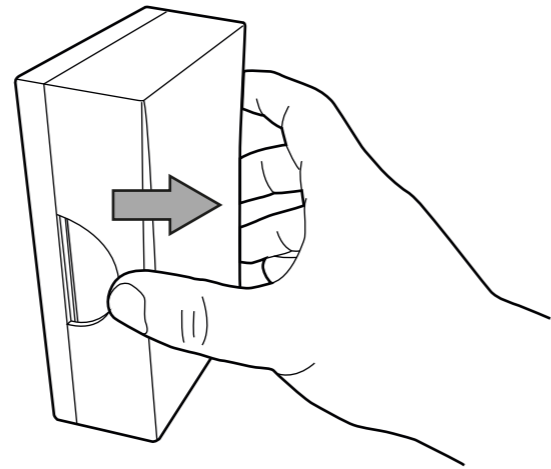
720K 501352993314

- 1 Wired bell
- 2 Wired bell push
- 3 Push button
- 4 Transformer
- 5 Bell wire & clips
- 6 Wall plugs and screws

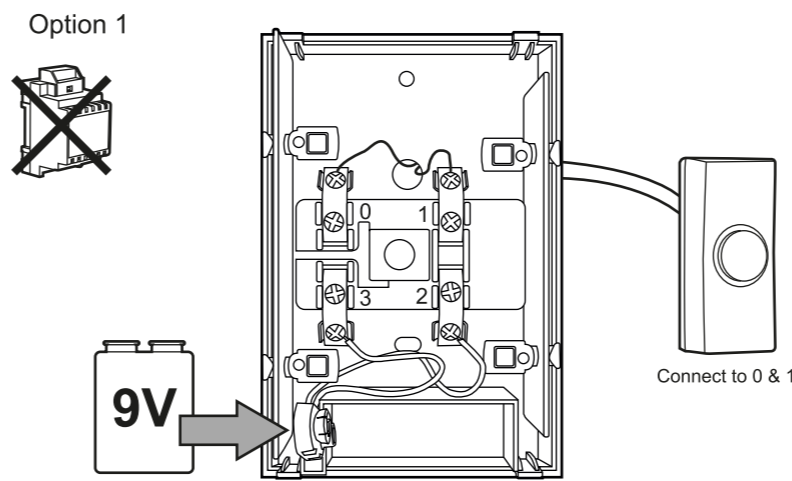
You will need



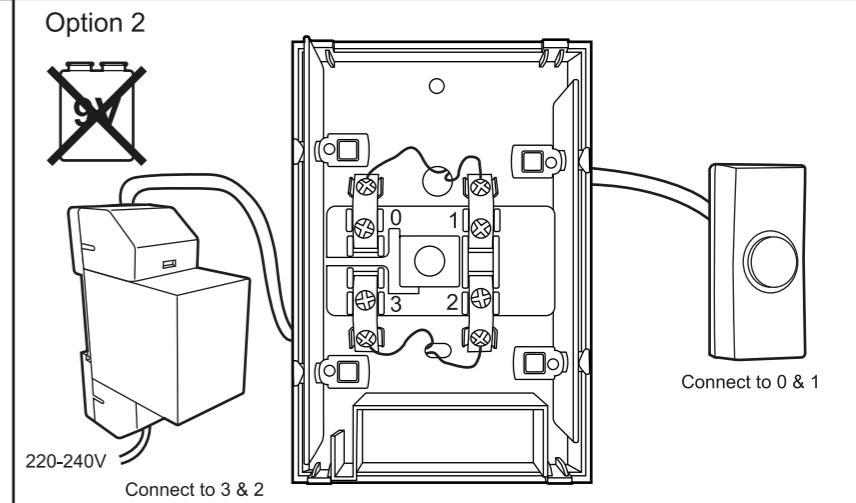
01



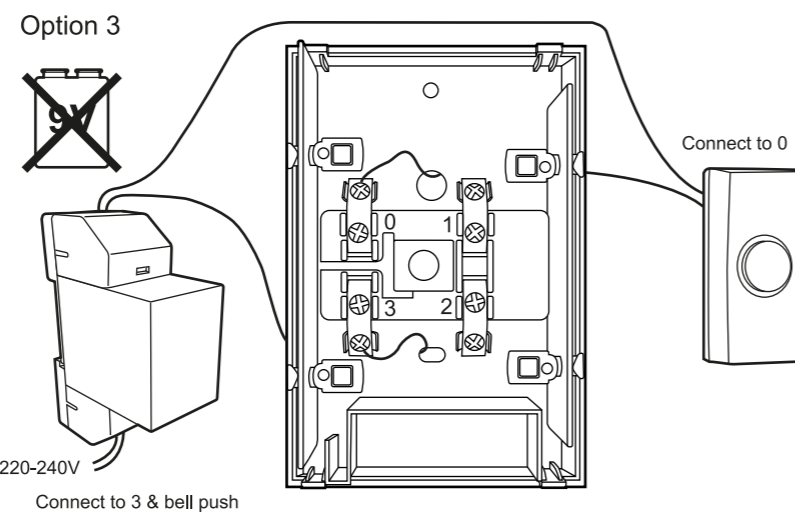
02



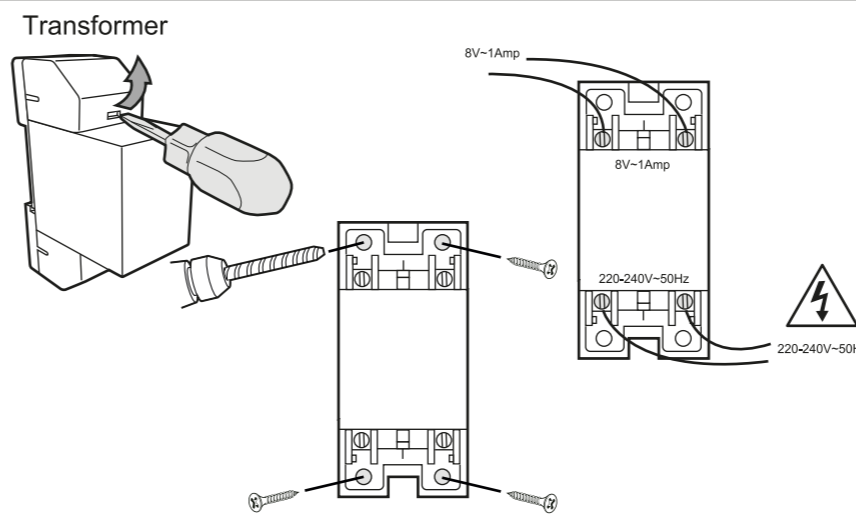
03



04



05



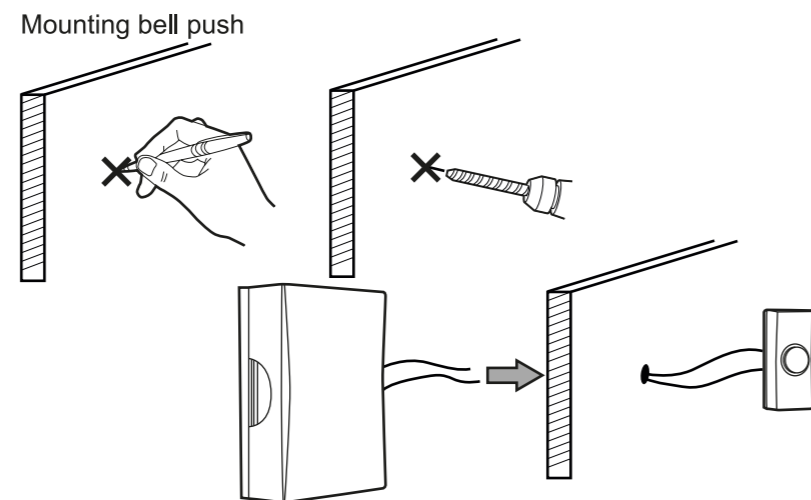
Installation

- For wall mounting: In opposite corners of the transformer will be two holes suitable for using screws to affix the transformer to the required surface. Please use suitable fixings.
- For Din rail mounting / removal: Clip the transformer onto a standard din rail top first then push the bottom into position. For removal use a flat headed screwdriver to pull the clip down (B) while pulling the transformer bottom off the rail.

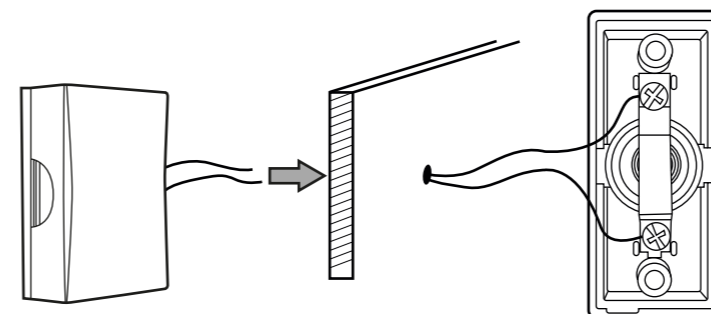
Wiring

1. Insert a flat headed screwdriver into the lug hole and twist to remove the protective cover cap and reveal the electrical terminals.
2. Connect the Live & Neutral cables to the 220/240V terminals, either way round. Screw down the terminals to clamp the cables into place making sure they are secure.
3. Replace the protective cover ensuring the cover is clipped correctly and secure.
4. Connect the bell wire to the terminals marked 8V, either way round. Screw down the terminals to clamp the cables into place making sure they are secure.
5. Connect the other end of the bell push wire to your door chime unit. See Fig 03-04
6. Switch on the mains power to the transformer and test operation.

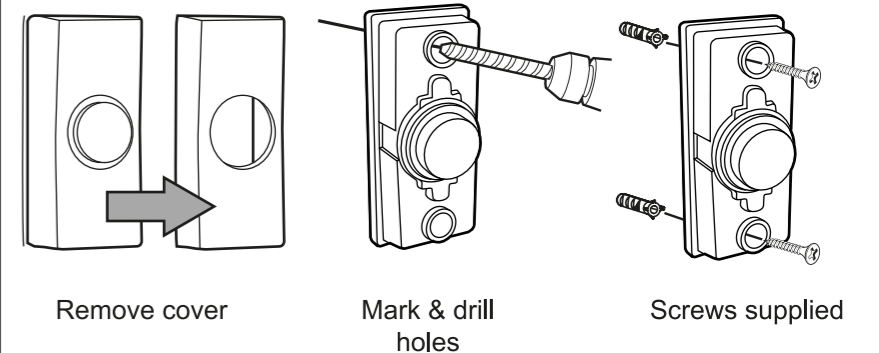
06a



06b

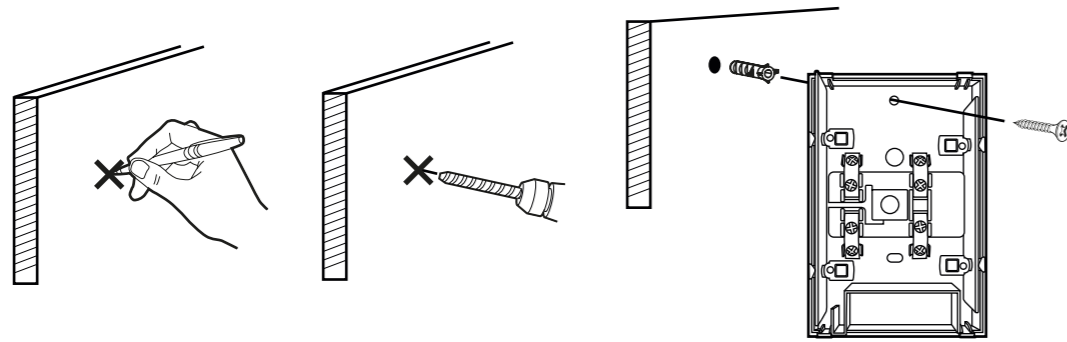


06c



06d

Mounting bell



Screws supplied

Byron™

smartwares®
Europe

Jules Verneweg 87
5015 BH Tilburg
The Netherlands

service.smartwares.eu

Getting started... ▶

Safety

- The ventilation should not be impeded by covering the ventilation openings with items, such as newspapers, tablecloths, curtains, etc...
- DO NOT allow this product to come into direct contact with heat or a naked flame.
- The normal operation of the product may be disturbed by strong electromagnetic interference.
- This equipment is intended for domestic use only.
- The appliance shall not be exposed to dripping or splashing.
- No objects filled with liquids, such as vases, shall be placed on the appliance.
- Keep a minimum distance of 10 cm around the product for sufficient ventilation.
- Ensure the bell push is not mounted where it could become immersed by water/rain.
- DO NOT allow children to play with this appliance.

Battery Warnings

- An adult must carry out battery replacement and installation.
- Remove exhausted batteries from this product.
- DO NOT dispose of batteries in a fire, batteries may explode or leak.
- DO NOT short-circuit the battery terminals.
- DO NOT mix used and new batteries.
- DO NOT mix alkaline standard (carbon-zinc), lithium or rechargeable batteries.
- DO NOT use rechargeable batteries in this product.
- DO NOT recharge non-rechargeable batteries.
- DO NOT allow any part to come in contact with heat or a direct flame.
- DO NOT allow water to come into contact with the batteries or wiring.
- Install carefully to prevent any damage to the batteries
- When installing batteries in the battery compartments, ensure the batteries are placed as marked (+)(-).
- Only the recommended batteries should be used.
- Remove batteries from product when not in use for long periods of time.
- Keep this product out of the reach of small children.
- Store unused batteries in their original packaging.
- Dispose of used batteries responsibly.

In more detail... 🔍

Technical Specifications

Wired door chime
Model: 720K
Transformer
Model: 7770
220-240V Input, 8V 1Amp output
Door Bell
Model: 771
9V battery operation (not supplied)
or 8V 1Amp Transformer operated (supplied)
Push Button
Model: 7910
Non lighted
Bell Wire & Clips
Model: 7200
9 metres



Smartwares Safety & Lighting declares that the appliance, model (720K), Conforms to all relevant European Directives. The complete declaration of conformity is available on request at:

smartwares Europe	NL : 088 5940501 Lokaal tarief	CUSTOMER SERVICE
	BE : 078 481094(NL) Lokaal tarief	
	BE : 078 481540(FR) Tarif local	
	FR : 0825 560 650 18ct/min	
Jules Verneweg 87 5015 BH Tilburg The Netherlands	DE : +49 (0) 1805 010762 14Ct./Min. dt. Festnetz, Mobil max. 42Ct./Min	
service.smartwares.eu	UK : +44 (0) 345 230 1231 ES : +34 938427589	

Recycling

This symbol is known as the 'Crossed-out Wheelie Bin Symbol'. When this symbol is marked on a product or battery, it means that it should not be disposed of with your general household waste. Some chemicals contained within electrical/electronic products or batteries can be harmful to health and the environment. Only dispose of electrical/electronic/battery items in separate collection schemes, which cater for the recovery and recycling of materials contained within. Your co-operation is vital to ensure the success of these schemes and for the protection of the environment



IMPORTANT - RETAIN THIS INFORMATION FOR FUTURE REFERENCE READ CAREFULLY