

# SERENADE

The Serenade fire pit is handmade by Dekko in North America. Ships with your choice of NG or LP burner, one decorative aggregate option and chrome On/Off key with adjustable flame control.

Size: 32"W x 15 1/2"H  
 Certification: CSA / UL Approved



	Manual Ignition	Electronic Ignition
BTU/Hr	60,000	125,000
Weight	90 lbs	90 lbs
Fuel Options	NG/LP	NG/LP

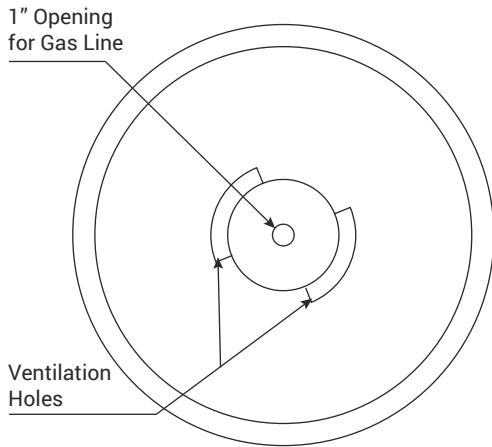
### Optional Accessories:

Glass Wind Guard 23"W x 6"H  
 Propane Tank Cover 21"H x 16"W x 16"D  
 Weather Cover

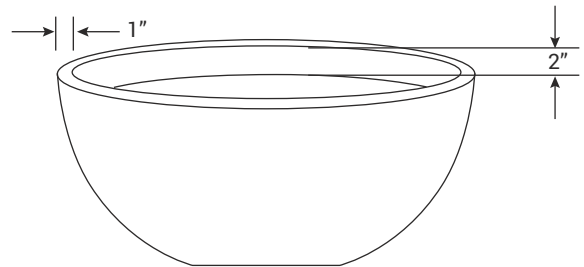
### Color Options:



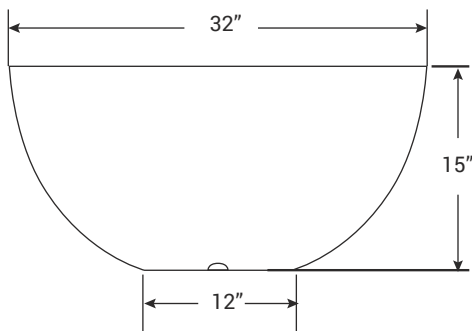
### Decorative Aggregate Options:



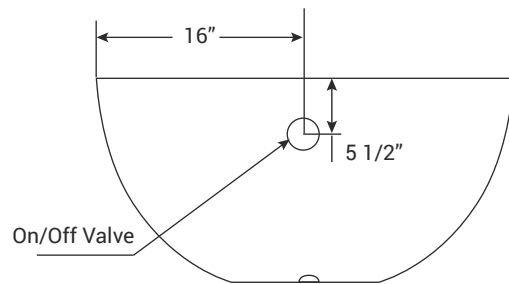
PLAN VIEW



PERSPECTIVE VIEW



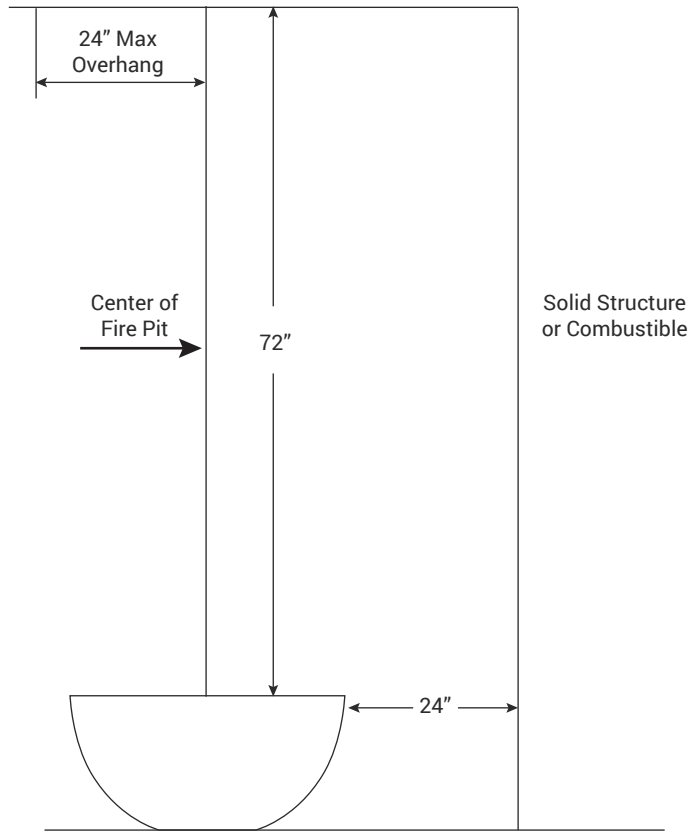
FRONT ELEVATION



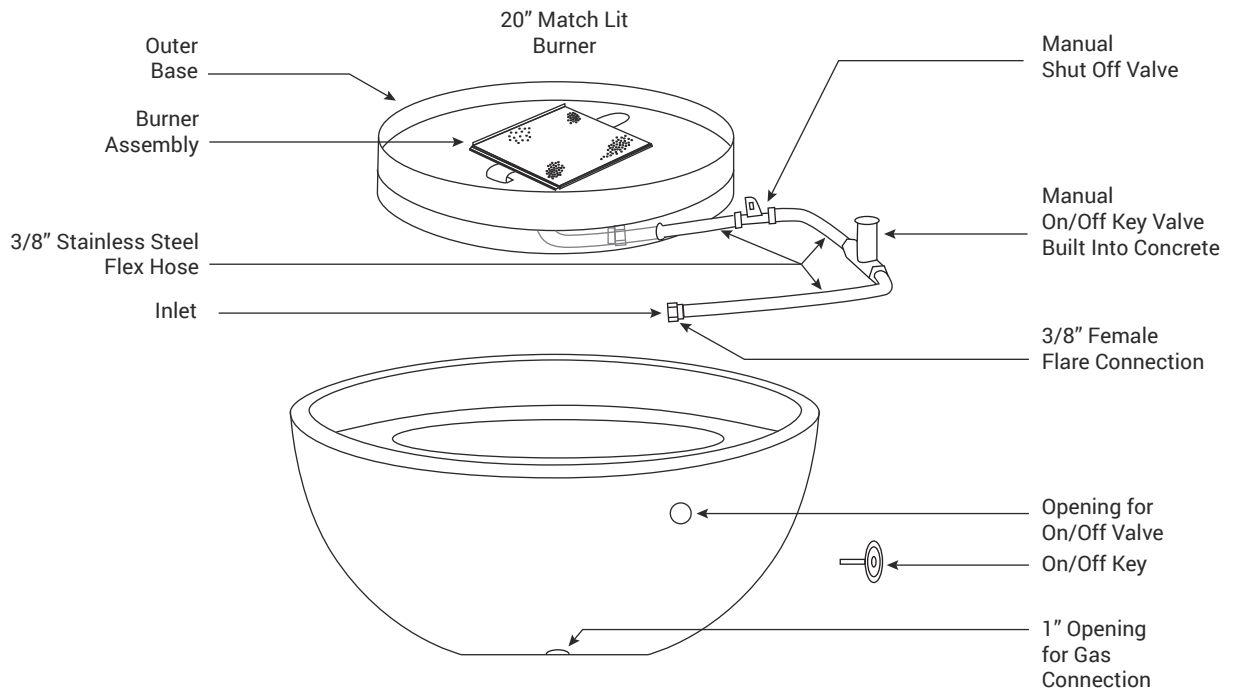
SIDE ELEVATION



### Clearances:

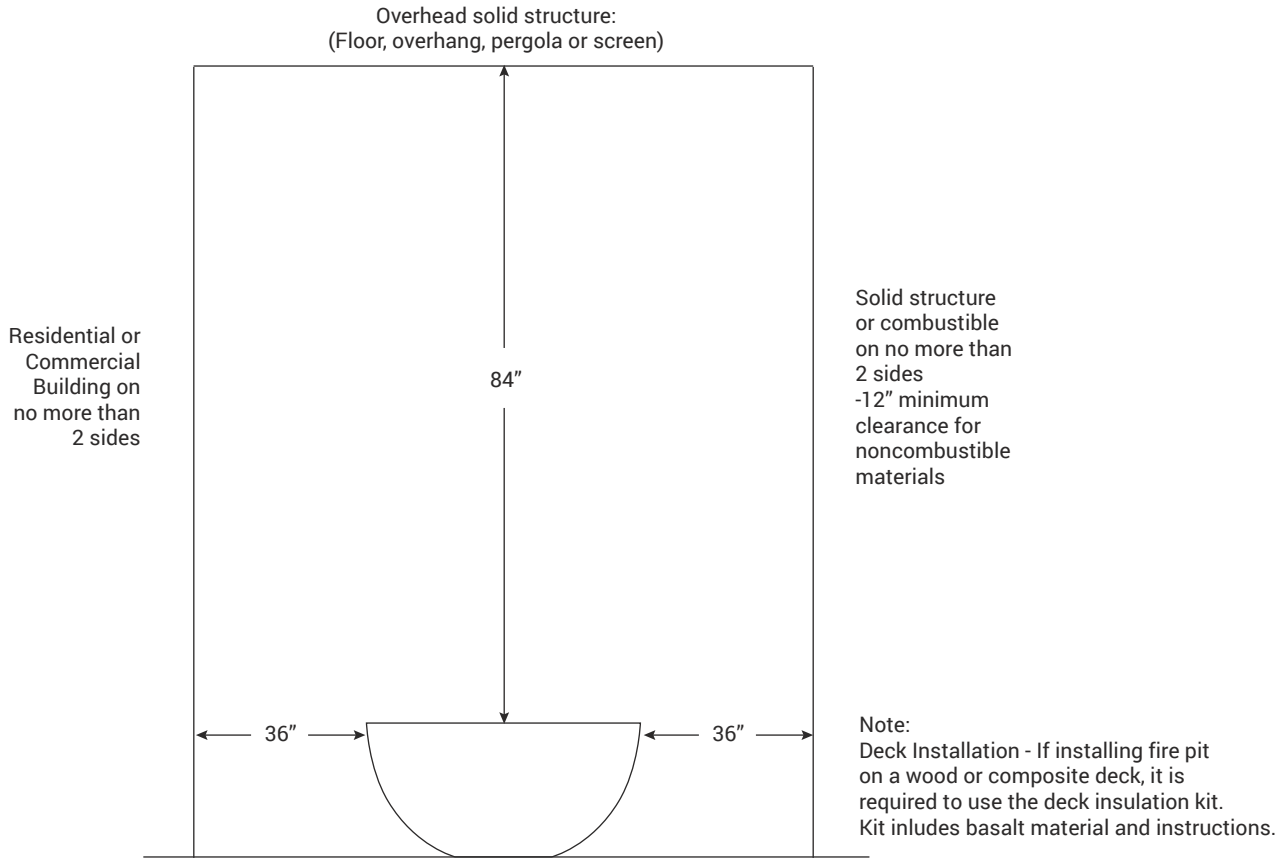


### Burner Assembly:





**Clearances:**



**Burner Assembly:**

**Electrical:**

120V Outdoor receptacle required.  
Must be installed and grounded in accordance with local codes.

