



DITA

User Manual

Perpetua

# Contents

- 3 Welcome
- 4 Important Safety Instructions
- 5 Package Contents
- 6 How to wear and use your earphones
- 7 APV2 — Awesome Plug V.2
- 8 To change a connector plug
- 8 To insert a different type of plug
- 9 Using the APV2
- 10 Precautions for use
- 11 Type E Eartips
- 13 Storage
- 13 Cleaning
- 14 Warranty

# Welcome

Perpetua is DITA's 2022 Dream-Class, flagship product. A celebration of 10 years of DITA. It is a self-examination of what it means to evolve and mature as a brand born out of a love of sound and music, and a desire to execute these to perfection.

Perpetua marks a milestone, a generational change in DITA's lineup. An organic, ergonomic chassis shape. Improved, compact generation 2 of the Awesome Plug interchangeable plug system, and a 12mm dynamic driver and a new collaborative venture that is at once recognizable as a hallowed name in high-end audio. Internal silver wiring sourced from Kondo Audionote Japan being the cherry on top.

As it approaches its tenth year, DITA has persevered in delivering musical enjoyment to audio enthusiasts. Especially key during this period of change and upheaval. Where taking pleasure in the littlest details is an important affair. It's a reminder to ourselves and to you that we are here to stay. That we are still the enthusiasts you've grown up with. Building good audio products that serve as conduits of both music and emotion.

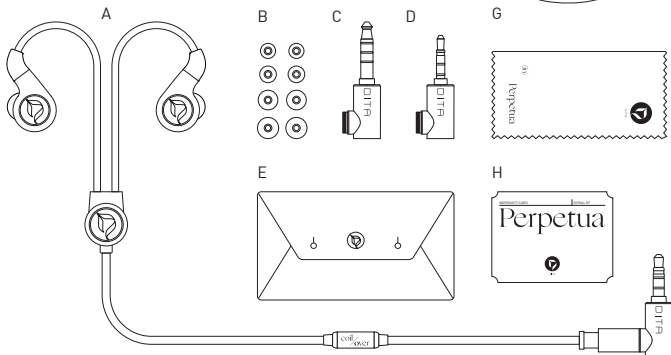
Perpetua retains all the key DITA traits of meticulous casework, matured and thoughtful tuning, and careful, concise engineering with a dash of sophistication.

# Important Safety Instructions

1. Always practice safe listening habits.
2. Ensure that the output volume of your device is set to a minimum before inserting earphones into your ears.
3. Listening at high volumes for extended periods of time can permanently damage your hearing.
4. Never insert the earphones into your ears without the supplied tips.
5. Take extreme care when inserting and removing your earphones.
6. Always keep your earphones dry. These earphones are not designed for wet use.
7. Do not wear your earphones in any environment where you need to have an auditory sense of your surroundings (e.g. on the streets, or while driving).
8. Do not plug your earphones into anything other than the output jack of your media player.
9. Do not insert any sharp objects into the nozzle of your earphones. You may permanently damage the highly sensitive diaphragm of the driver.
10. If you develop any skin or medical conditions, cease the use of this product immediately and consult your doctor. DITA is not responsible for any medical conditions/symptoms that may develop or arise due to the use of this product. Use at your own risk.

# Package Contents

- A 1 pair of Perpetua Earphones with Coil/Over Cable
- B final E-Type Ear Tips (SS/S/L/LL)
- C DITA APV2 2.5mm TRRS Connector
- D DITA APV2 4.4mm TRRS Connector
- E Soft Leather Case
- F Hard Metal Case
- G Polishing Cloth
- H Warranty Card



## How to wear your earphones

The cables attached to these earphones were tested extensively to provide for a comfortable fit and minimize tangling. It remains pliable and soft throughout the seasons.

Determine the Left channel by feeling for the knob that is moulded on to the strain relief on the earphones. The one with the knob is the Left Channel and goes into your left ear. Alternatively, Left and Right channels are clearly marked on the inside surface of the earphone.

Once you have determined the Left and Right Channels, hold the earphones in the corresponding hand so that the cables are hanging downwards.

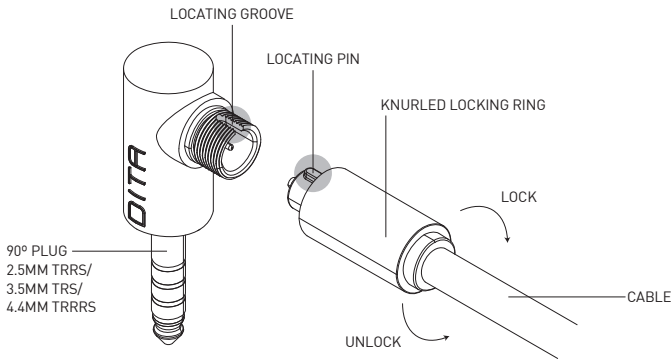
Move the earphones under and behind your ears. Route them around the outside of your ear and insert them gently into your ear canals. You will find that the strain reliefs naturally angle the cable so that it is comfortable for most ears. Adjust the sliding stopper for maximum comfort.



## APV2—Awesome Plug V.2

Introduced on the original DITA Dream in 2016, the Awesome Plug was revolutionary, spurring numerous manufacturers to create their own versions. Developed to future proof your cables so that you can adapt them for use with different playback devices for a more versatile rig.

APV2 is the newest version of the Awesome Plug — it has been updated to accommodate a wider variety of enthusiast level cables reflecting the developments in high end earphone cable developments.



## To change a connector type

1. Grasp the body of the plug firmly with one hand and pinch the knurled knob with the other.
2. With the plug facing you, firmly twist the knurled ring counter-clockwise to unscrew it.
3. The knurled ring should fall into position once it has been completely unscrewed.
4. Pull out the plug.

## To insert a different type of plug

1. Gently position the plug to the body while aligning the locating pins.
2. Move the knurled ring into position. While gently pushing the knurled ring against the screw threads, turn the ring counter-clockwise until you feel a slight snap. This positions the threads correctly.
3. Holding it in the above position, turn the knurled ring clockwise to tighten it.
4. Do not use a tool such as pliers to loosen or to tighten the knurled ring. It is designed for finger pressure only.

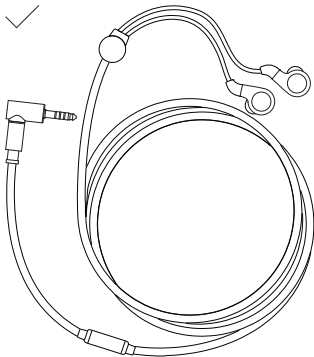


## Using the APV2

1. Great care has been taken to ensure the durability and longevity of the APV2 under normal usage conditions.
2. By design and by its nature, the 3.5mm TRS plug is not for professional use. As such, do not subject the plug to any undue pressure. E.g. items resting on the plug while they are in your bag.
3. In some instances, different types of connectors will be supplied with APV2 equipped cables. These are the 4.4mm TRRRS, 3.5mm TRS and 2.5mm TRRS connectors. Ensure that you are using the correct one for your media playback device. If you are unsure, check with your dealer before proceeding further.
4. Always remove the plug from an appropriate receptacle by grasping the connector body. DO NOT tug on the cables.
5. Careful usage of the cables can prolong the lifespan of your product.

## Precautions for use

- Do not wind the cable tightly.
- Do not subject the cable to any tight bends for extended periods of time.
- Do not subject your cables or earphones to harsh chemicals, solvents or acids.



## TYPE E Eartips

Using the appropriate ear tips is crucial to sound quality. You must be able to obtain a comfortable and good seal in order to maximize the full potential of your earphones. If in doubt, always choose the ear tips with the most comfortable fit.

For this product, we have collaborated with Final from Japan to supply the ear tips. Extensive testing has proven that these tips are the most appropriate for these earphones.

### How to choose your eartips

1. Fit the size you usually use and listen for a while.
2. Fit a size larger than you usually use; listen while changing the depth at which they are inserted and the angle of the earphones.
3. Fit a size smaller than you usually use; listen while changing the depth at which they are inserted and the angle of the earphones.
4. After using the size that you preferred from those you tried for a while, try a different size.
5. Repeat the above and choose the pair that leaves you feeling the least tired when using them.

EDGE STYLE series

— earpiece —

TYPE E



SS

S

M

L

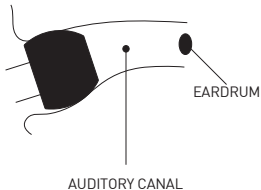
LL

Employs the optimum aspect ratio for each size

Silicon of differing rigidity for the earbud and the axis

With the optimum shape and material, the feeling of the product being forcefully inserted into the auditory canal is reduced, making for a comfortable fit

- Comfortable Fit — the true sound of the earphones is elicited
- Improvements to bass tones and heightened sound insulation
- Reduction of stimulating tones in the high frequency range



## Storage

- Store your earphones in a cool, dry place away from sunlight and intense heat.
- Do not crush your earphones under any load (e.g. heavy items resting on the plug while they are in your bag).

## Cleaning

- Carefully remove any build-up or dirt from the mesh being extra careful not to puncture or remove the mesh.
- Use only a slightly damp cloth to clean the earphones. Do not use any solvents or cleaning agents.
- Ensure that your earphones are clean and free from humidity before storage.

# Warranty

- In most cases, your earphones are warranted from manufacturer's defect from 6 months to 1 year. This varies from country to country. Earphones are not warranted against wear and tear and/or misuse of any kind.
- The warranty is void if the casing of the earphones has been opened or displays signs of tampering.
- Replacement or repair is made solely at our discretion.
- Specifications are subject to change without prior notice.
- If you experience a problem with your earphones, please contact your country representative. Should you wish to contact us directly, you may do so at: [info@DitaAudio.com](mailto:info@DitaAudio.com).



DITA



PROJECT  
PERFECTION

Project Perfection  
7 Senoko Loop  
Singapore 758146  
+65 6756 6522  
info@ditaaudio.com

   DITAAUDIO

 [WWW.DITAAUDIO.COM](http://WWW.DITAAUDIO.COM)

 PROJECTPERFECTIONS

 PPERFECTIONAUDIO

 [WWW.PP-DISTRIBUTION.COM](http://WWW.PP-DISTRIBUTION.COM)