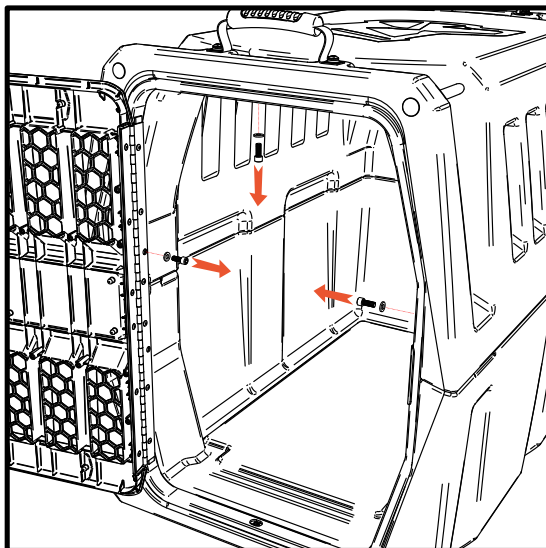




SECURITY LOCK KIT INSTALLATION INSTRUCTION

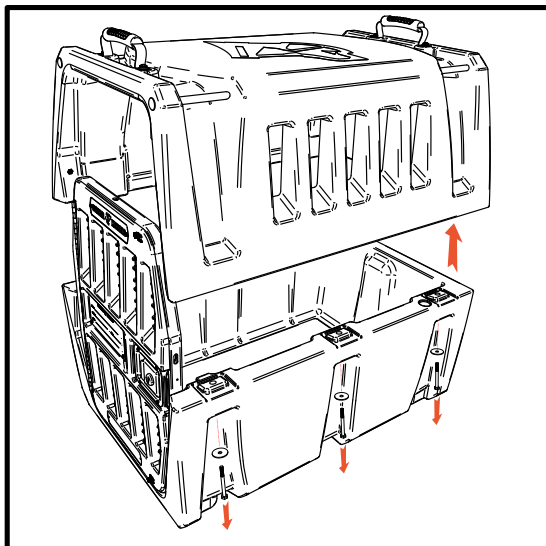
GUNNER®

1



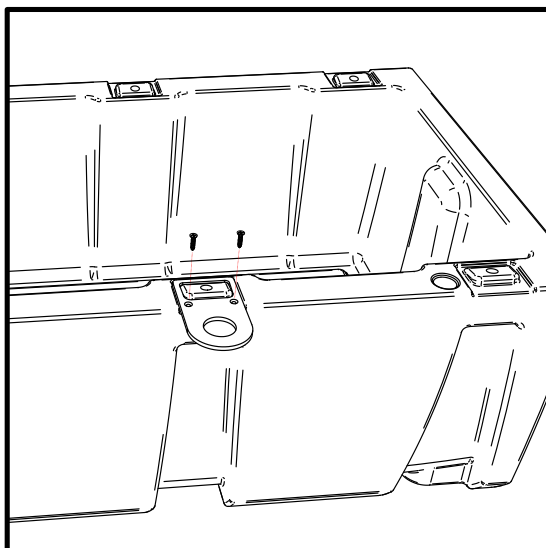
Remove three cap screws and washers that attach door frame to upper half of the kennel.

2

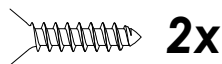


Using a 7/16" wrench or ratchet, remove the screws and washers fastening the upper and lower halves of the kennel.

3



Place the lock kit on one of the keyed recesses that you prefer. Drive two Phillips head screws into the holes to secure the lock kit.

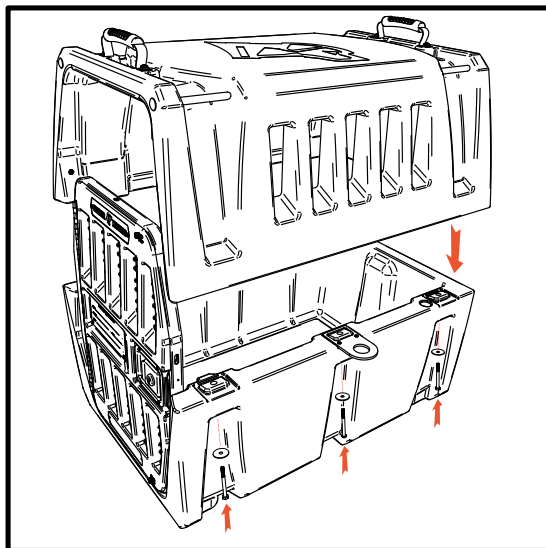




SECURITY LOCK KIT INSTALLATION INSTRUCTION

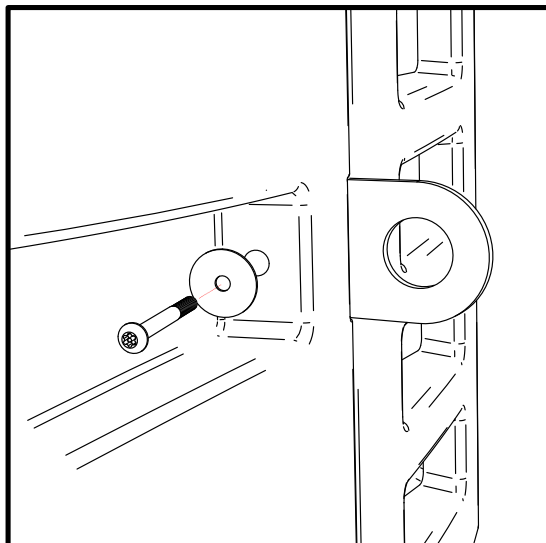
GUNNER®

4



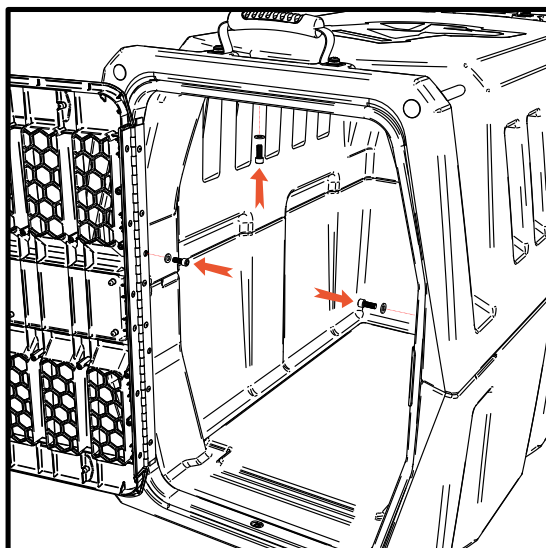
Reassemble the upper half of the kennel.

5



Reinstall the hex bolts and washers at all locations except where the lock kit is mounted. At the lock kit location install the special security bolt using the tool provided.

6



Finally, reinstall three cap screws and washers in the door frame.