



GUNNER®



G1™ SMALL KENNEL
OWNER'S MANUAL

DESIGNED

— *for* —

EVERYWHERE.®



THE GUNNER STORY

The idea for Gunner Kennels was inspired by my best friend Gunner, a British chocolate lab who lives to retrieve. Like all dogs, he has one mission in life: to please his owner. He's been my co-pilot since day one, but I was never able to shake that bad feeling I got when loading him up in traditional plastic crates—especially after one particular morning when things almost went terribly wrong.

Later that same day, I was watching Gunner retrieve for me. In that moment, I realized what I needed to do: build a kennel with as much drive and determination as Gunner gave me when working in the field. I wanted to improve the protection and safety while traveling—the core function of a dog crate. I wanted to make it safer. Build it stronger. Design the world's best kennel, worthy of dogs just like Gunner.

Since that morning, I'm proud to say we've helped keep thousands of pets safe on the road—even saving their lives, according to our customers—because every detail of this crate is designed and tested in real conditions for the invested dog owner. If you're reading this, that's means you're one of those people. Thank You.

This company was built on the unbreakable bond between dog and man—because Man's Best Friend deserves Man's Best Kennel®.

Addison Edmonds
FOUNDER

Gunner
THE DOG WHO STARTED IT ALL



KENNEL DIMENSIONS

G1™ SMALL

EXTERIOR DIMENSIONS

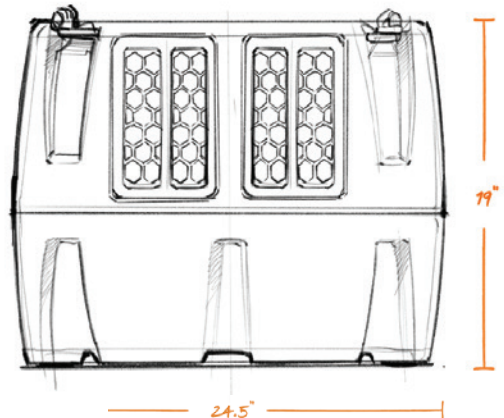
24.5" (L) x 18.625" (W) x 19" (H)*
*20.5" (H) with removable carry handles

INTERIOR DIMENSIONS

Measured at the floor:
21.75" (L) x 14.5" (W) x 15.5" (H)

Exact dimensions may vary slightly due to the rotational molding manufacturing process.

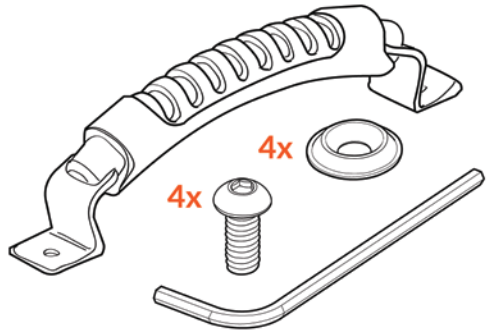
MADE IN AMERICA



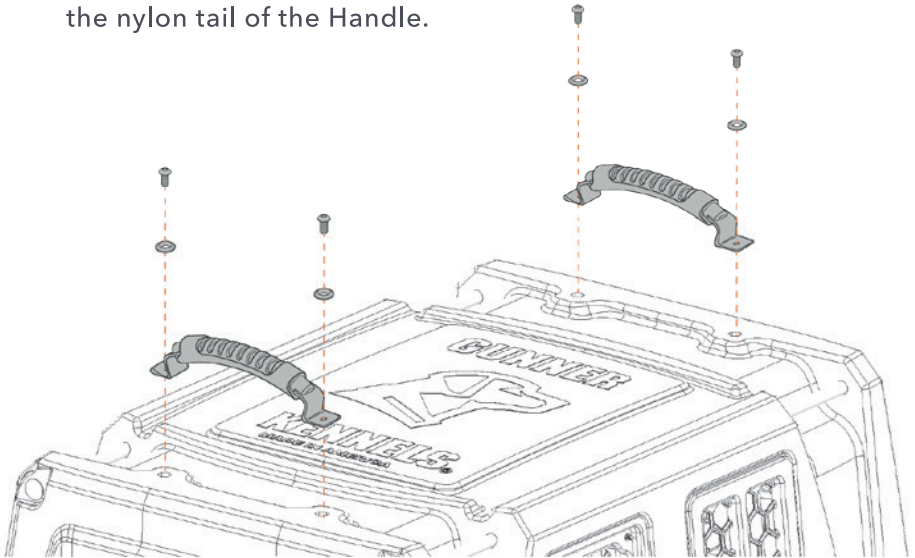
KENNEL HANDLE ASSEMBLY

INCLUDED HARDWARE

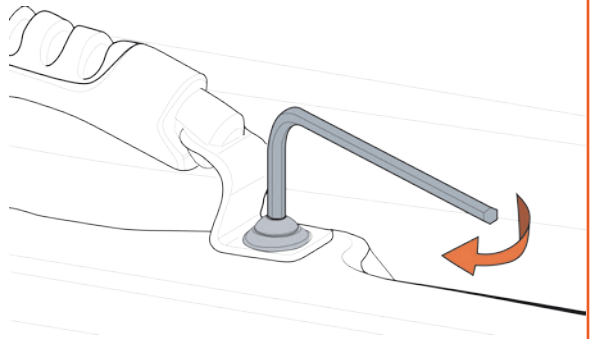
- 2x Handles
- 4x Flanged Washers
- 4x Button Head Screws
- 1x 5/8" Hex Key



- 1** Using the 5/8" Hex Key, tighten each Button-Head Screw, through the Flanged Washer, and through the nylon tail of the Handle.



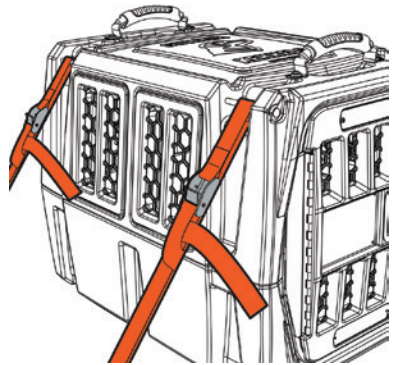
- 2** Use the short side of the 5/8" Hex Key for additional torque to ensure the handle is installed tightly.



SECURING YOUR KENNEL

The Gunner Tie-Down Strap Kit are the only ones the company recommends, and have met each of the brand's crash test standards, including the Center for Pet Safety G1™ crate and carrier 5 Star Crash Test Rating. We recommend securing your kennel at all times during travel. Connect the tie-down straps as shown below and tighten. Ensure the kennel is properly anchored before travel. Check that the kennel is properly secured each time before traveling with your dog.

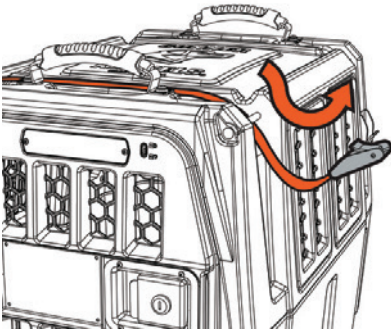
- Connect each 8' tie-down strap to each corner of the G1™ kennel.
- Ensure the straps feed through an appropriate anchor point in the truck bed or cargo area of your vehicle.
- Contact Gunner Kennels Customer Service at (844) 486-6375 if you have any questions about securing your G1™ kennel.



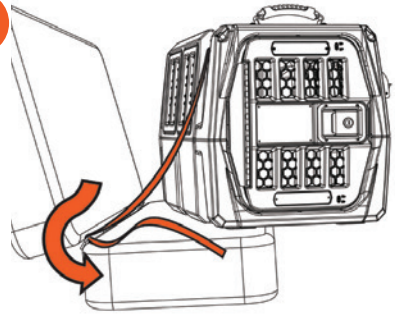
SECURING YOUR KENNEL

The Gunner Tie-Down Strap Kit are the only ones the company recommends, and have met each of the brand's crash test standards, including the Center for Pet Safety G1™ crate and carrier 5 Star Crash Test Rating. We recommend securing your kennel at all times during travel. Connect the tie-down straps as shown below and tighten. Ensure the kennel is properly anchored before travel. Check that the kennel is properly secured each time before traveling with your dog.

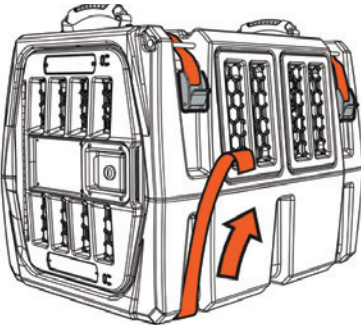
1



2



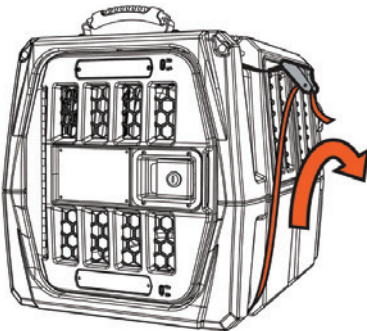
3



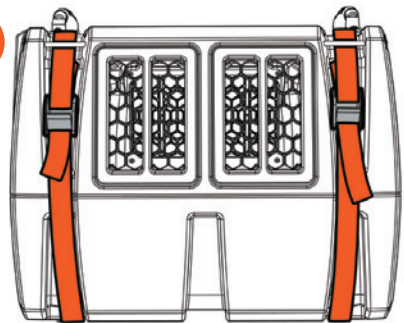
Feed strap through the space between the kennel and tie-down pin.

After straps are looped through tie-down pins, secure to seat bench anchor as shown in Step 2. Repeat step on parallel tie-down pin.

4



5

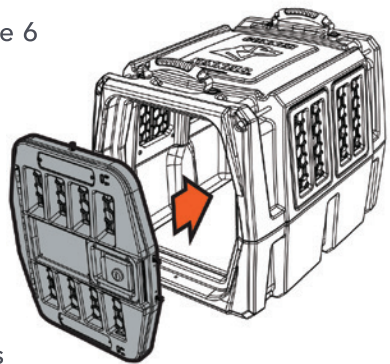


ROTATING YOUR KENNEL DOOR



Gunner Kennels assembles each G1™ Small and G1™ Medium kennel prior to shipping. If upon receiving your kennel you prefer that your door open from the opposite direction, follow these tips:

1. Using a phillips head screwdriver, remove the striker plate for the aluminum door frame.
2. Use a 3/16 allen wrench to remove the 6 socket-head cap screws.
3. Flip the door around, reinstall the 6 socket-head cap screws.
4. You will want to take a phillips head screwdriver to remove the Gunner Kennels logo plate and reinstall on opposite side.
5. If you have trouble lining up the bolts after you take them out you can loosen the body bolts on the four corners of the door.



THANKS FOR JOINING THE PACK!

YOU ARE NOW A PROUD OWNER OF

**MAN'S BEST
KENNEL®**



LIFETIME WARRANTY

We started Gunner Kennels We're dedicated to building the best dog kennel on the market. Each Gunner G1™ kennel has been manufactured and tested to the highest quality standards, and they carry a lifetime manufacturer's warranty policy: that's how much we believe in our product. We stand behind our product because of the integrity of the design and research we have put into creating them. We trust this dog kennel with our best friends' lives.

Edmonds Outdoors, LLC warrants new Gunner Kennels from the date of shipment to be free from manufacturer's defects in material or workmanship under normal use and service for the lifetime of the original purchaser. This warranty covers all parts of Gunner Kennels, including the door, latch, and body of the kennel. This warranty is an exclusive warranty and there are no warranties that extend beyond the description warranted here. The warranty extends to the original purchaser only and is non-transferrable.

The owner must present original proof of purchase to obtain warranty service and must present the proof directly to Edmonds Outdoors, LLC and not a retail store, service center, or other dealer. Customer should also detail in writing a description of the problem. Damaged products must be returned directly to Gunner Kennels in its original box or adequate packaging. If the warranty applies, Edmonds Outdoor, LLC shall at no cost to customer either repair the kennel or provide the customer with a replacement kennel or component if it is defective under the terms of this warranty within the lifetime of the original purchaser. Edmonds Outdoors, LLC will not provide any warranty coverage unless claims are made in compliance with all terms of this controlling warranty statement and Edmonds Outdoors, LLC reasonably verifies the customer's claim that the product is defective. For Kennels purchased after October 1, 2020, Edmonds Outdoors, LLC will provide a replacement kennel or component to shipping addresses within the United States or Canada at no cost to the customer. If a customer who purchased a kennel after October 1, 2020, subsequently moves outside of the United States or Canada, Edmonds Outdoors, LLC will provide a replacement kennel or component through shipping prepaid by the customer.

The warranty does not apply if the kennel or its components have been (1) damaged through abuse, misuse or neglect, (2) damaged in an accident, (3) unreasonably used or used for any purpose for which it was not intended, or (4) repaired or altered in any way from its original configuration, damaged due to any act of nature. Normal wear and tear, including dents, slight warping, scratches, discoloration, fading, or any damage from any animal is not covered under this warranty. Loss of parts or components removed from the kennel is not covered under the terms of this warranty.

If you have a dog with high drive you understand your dog's level of adrenaline. And you know when they put their mind to it, they can do some damage to whatever is in front of them. The manufacturer's warranty policy does not extend to cover destruction done to the product by the pet, and obvious signs of chewing on the kennel will not be covered by our warranty. Note: We highly suggest purchasing our add-on chew kit accessory if you have any concerns regarding your dog's chewing tendency.

Gunner Kennels have been crash tested in order to ensure the structural integrity of each part meets the standards set for the company. Although Gunner Kennels cannot predict nor guarantee the result of any accident, the company can promise that it has made every attempt to build a product that provides you with the peace of mind that your dog is protected while you travel.

Except for the warranty set forth above, Edmonds Outdoors, LLC makes no warranty whatsoever with respect to the goods. Edmonds Outdoors, LLC is not responsible for any incidental, indirect, special, consequential, exemplary, or punitive damages, lost profits or revenues or diminution in value resulting from any malfunction, modification, or misuse. The remedies set forth in this warranty shall be the customer's sole and exclusive remedy and Edmonds Outdoors, LLC's entire liability for any breach of the limited warranty.

To read additional details about our warranty, please go to gunner.com/warranty.

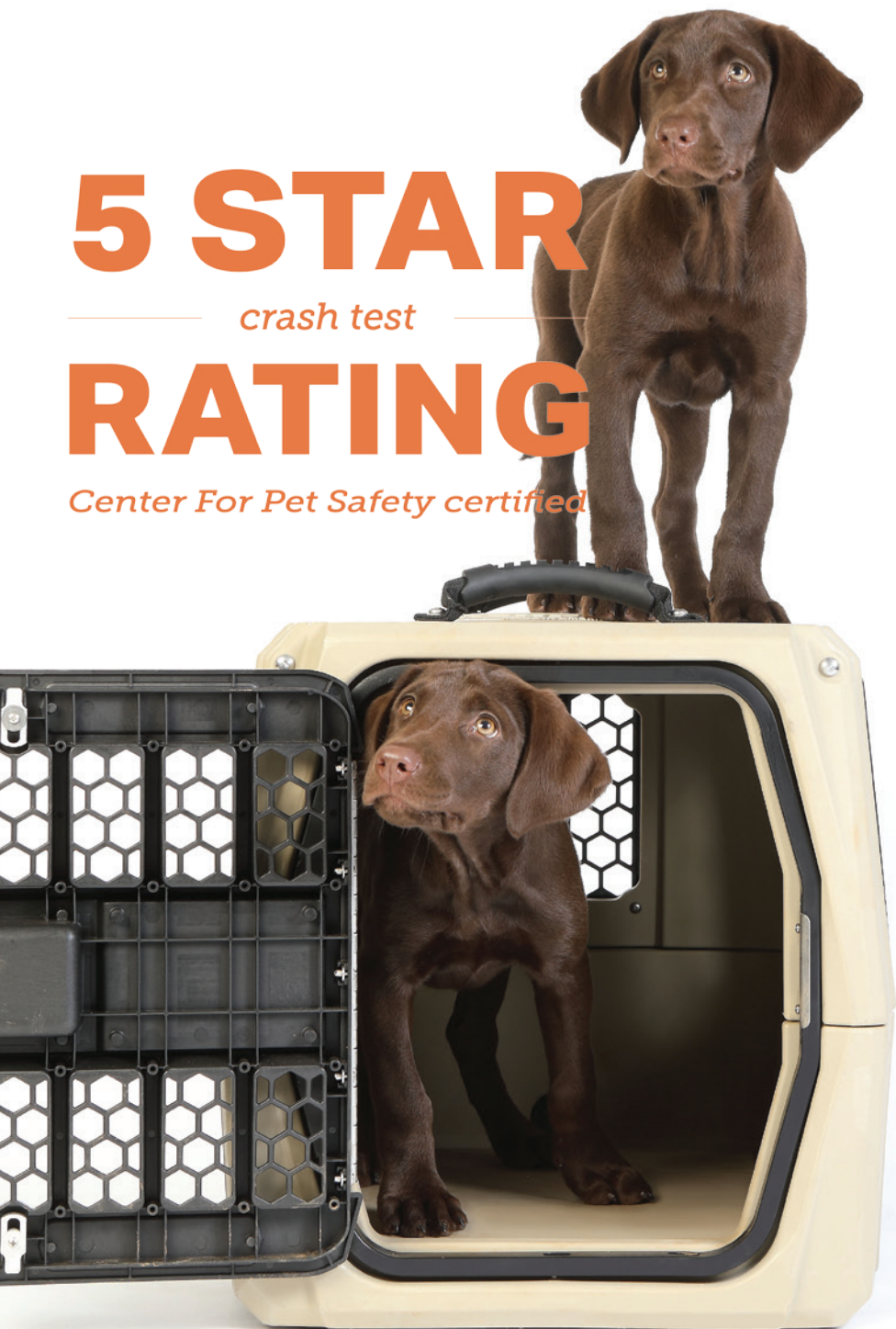


5 STAR

crash test

RATING

Center For Pet Safety certified



1-844-GUNNERK
INFO@GUNNER.COM
WWW.GUNNER.COM

**MAN'S BEST
FRIEND**
— *deserves* —
**MAN'S BEST
KENNEL[®]**

READ REVIEWS & SHARE PHOTOS USING

#MANSBESTKENNEL

