



**GUNNER®**



**G1™ MEDIUM KENNEL**  
**OWNER'S MANUAL**

# DESIGNED

— *for* —

# EVERYWHERE.®



# THE GUNNER STORY

---

The idea for Gunner Kennels was inspired by my best friend Gunner, a British chocolate lab who lives to retrieve. Like all dogs, he has one mission in life: to please his owner. He's been my co-pilot since day one, but I was never able to shake that bad feeling I got when loading him up in traditional plastic crates—especially after one particular morning when things almost went terribly wrong.

Later that same day, I was watching Gunner retrieve for me. In that moment, I realized what I needed to do: build a kennel with as much drive and determination as Gunner gave me when working in the field. I wanted to improve the protection and safety while traveling—the core function of a dog crate. I wanted to make it safer. Build it stronger. Design the world's best kennel, worthy of dogs just like Gunner.

Since that morning, I'm proud to say we've helped keep thousands of pets safe on the road—even saving their lives, according to our customers—because every detail of this crate is designed and tested in real conditions for the invested dog owner. If you're reading this, that's means you're one of those people. Thank You.

This company was built on the unbreakable bond between dog and man—because Man's Best Friend deserves Man's Best Kennel®.

Addison Edmonds  
*FOUNDER*

Gunner  
*THE DOG WHO STARTED IT ALL*



# KENNEL DIMENSIONS

## G1™ MEDIUM

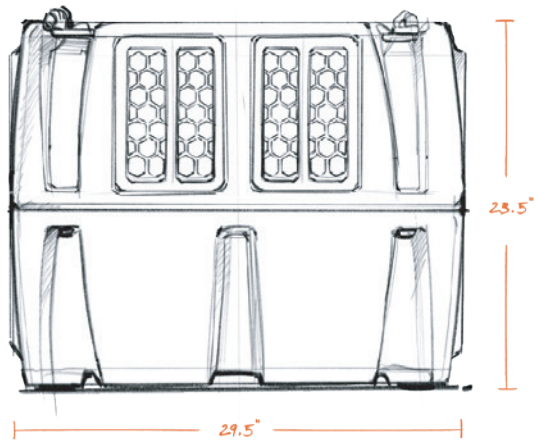
### EXTERIOR DIMENSIONS

29.5" (L) x 20.5" (W) x 23.5" (H)\*  
\*24.5" (H) with removable carry handles

### INTERIOR DIMENSIONS

Measured at the floor:  
25" (L) x 18" (W) x 19.75" (H)

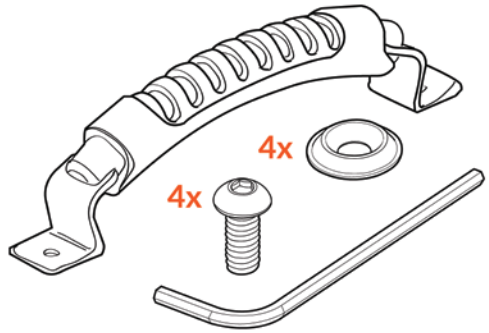
*Exact dimensions may vary slightly due to the rotational molding manufacturing process.*



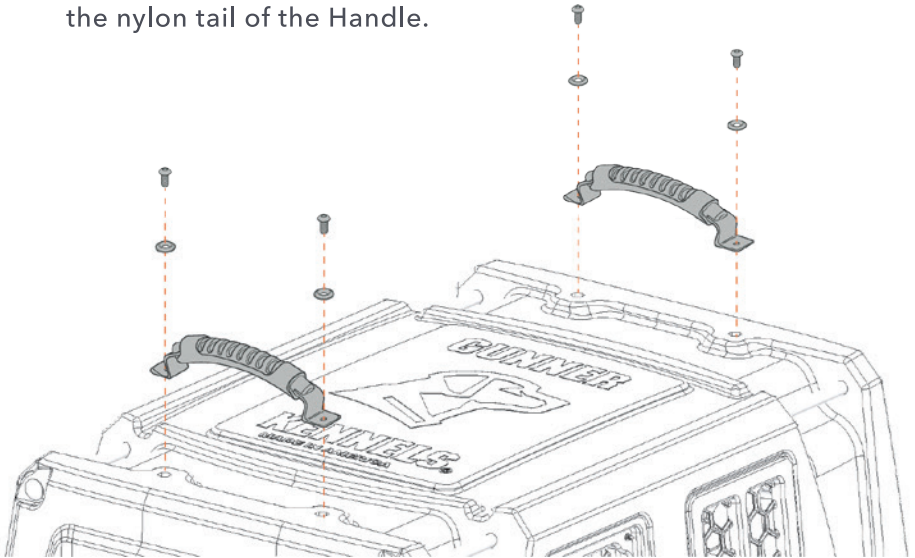
# KENNEL HANDLE ASSEMBLY

## INCLUDED HARDWARE

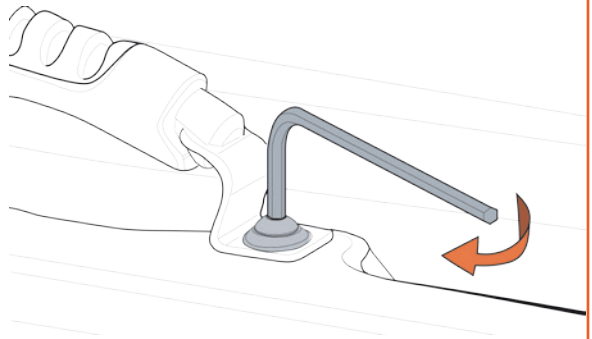
- 2x Handles
- 4x Flanged Washers
- 4x Button Head Screws
- 1x 5/8" Hex Key



- 1** Using the 5/8" Hex Key, tighten each Button-Head Screw, through the Flanged Washer, and through the nylon tail of the Handle.



- 2** Use the short side of the 5/8" Hex Key for additional torque to ensure the handle is installed tightly.

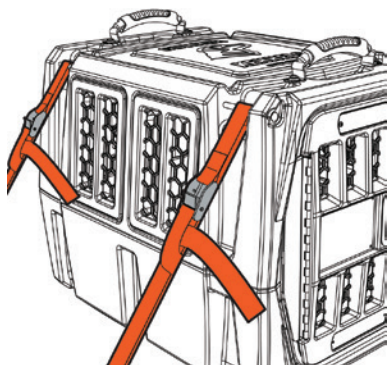




# SECURING YOUR KENNEL

The Gunner Tie-Down Strap Kit are the only ones the company recommends, and have met each of the brand's crash test standards, including the Center for Pet Safety G1™ crate and carrier 5 Star Crash Test Rating. We recommend securing your kennel at all times during travel. Connect the tie-down straps as shown below and tighten. Ensure the kennel is properly anchored before travel. Check that the kennel is properly secured each time before traveling with your dog.

- Connect each 8' tie-down strap to each corner of the G1™ kennel.
- Ensure the straps feed through an appropriate anchor point in the truck bed or cargo area of your vehicle.
- Contact Gunner Kennels Customer Service at (844) 486-6375 if you have any questions about securing your G1™ kennel.

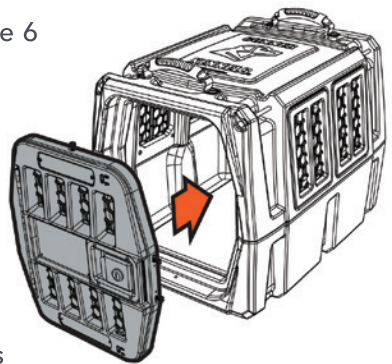


# ROTATING YOUR KENNEL DOOR



Gunner Kennels assembles each G1™ Small and G1™ Medium kennel prior to shipping. If upon receiving your kennel you prefer that your door open from the opposite direction, follow these tips:

1. Using a phillips head screwdriver, remove the striker plate for the aluminum door frame.
2. Use a 3/16 allen wrench to remove the 6 socket-head cap screws.
3. Flip the door around, reinstall the 6 socket-head cap screws.
4. You will want to take a phillips head screwdriver to remove the Gunner Kennels logo plate and reinstall on opposite side.
5. If you have trouble lining up the bolts after you take them out you can loosen the body bolts on the four corners of the door.



**1-844-GUNNERK**  
**INFO@GUNNER.COM**  
**WWW.GUNNER.COM**

**MAN'S BEST  
FRIEND**  
— *deserves* —  
**MAN'S BEST  
KENNEL<sup>®</sup>**

**READ REVIEWS & SHARE PHOTOS USING**

**#MANSBESTKENNEL**

