



**GUNNER®**

## **COLD-WEATHER KIT DOOR COVER INSTALLATION INSTRUCTIONS**

### **TOOLS NEEDED**

Phillips Screwdriver

### **PARTS + HARDWARE INCLUDED**

- (1) Door Cover Panel
- (1) Security Lanyard
- (2) Magnetic Plates
- (1) Retainer Clip
- (6) Screws (2 Extra)

### **DURATION**

About 3 Minutes

### **HOT TIPS**

1. If desired, the magnetic plate can be hidden beneath the GUNNER nameplate. The included screws are long enough to stack both and still be secured.
2. If you'd rather, the security lanyard can be looped around the tie-down pin and clipped to the grommet on the door.

## **WARNING:**

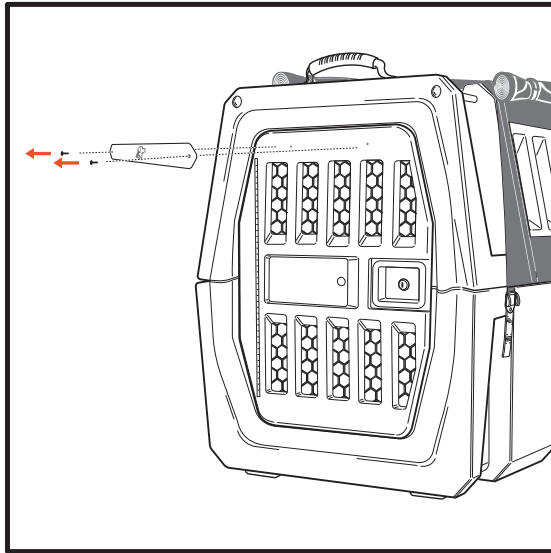
DO NOT LEAVE ANY DOG UNATTENDED IN ANY KENNEL IN EXTREME WEATHER CONDITIONS. THIS COVER MAY CAUSE DOGS TO OVERHEAT IN WARM WEATHER CONDITIONS. THIS COVER IS DESIGNED FOR EXTREME COLD CONDITIONS, HOWEVER, UNDER ANY EXTREME CONDITIONS YOUR DOG SHOULD ALWAYS BE CLOSELY MONITORED.



**GUNNER**®

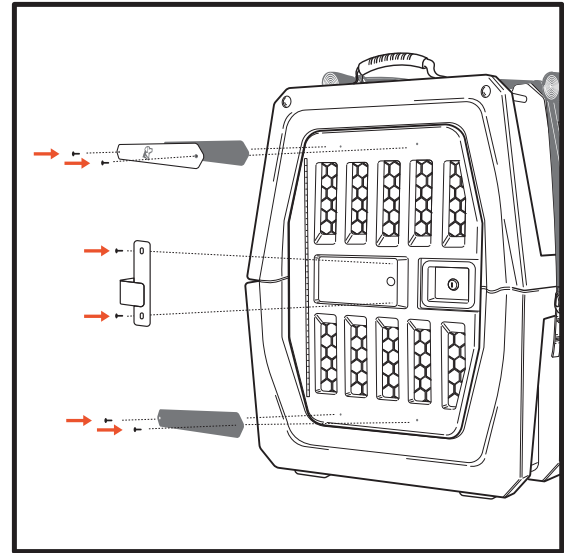
**COLD-WEATHER KIT DOOR COVER INSTALLATION INSTRUCTIONS**

1



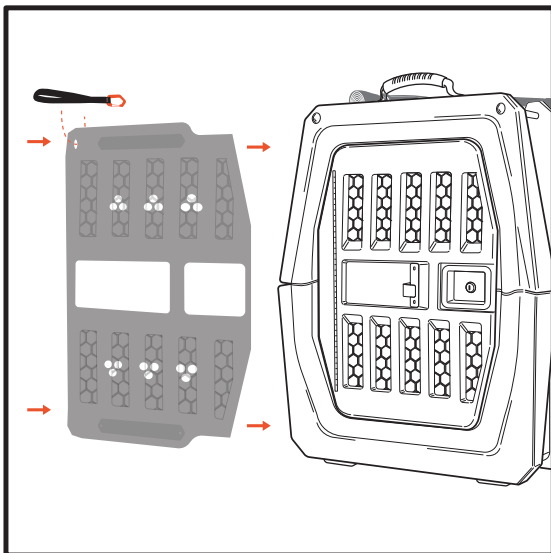
First, remove the logo plate from the top of the door.

2



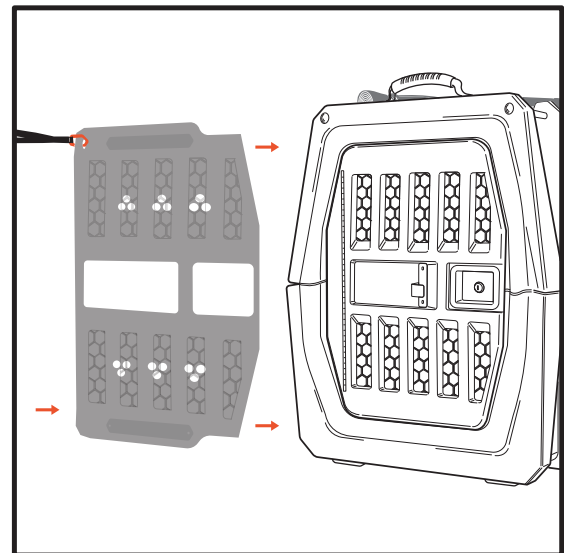
Next, use 2 screws to mount each magnetic plate. One to the top and one to the bottom of the door. With the 2 remaining screws, mount the retainer clip to the door at the nameplate location with the clip facing the paddle latch.

3



The magnets in the door cover are extremely strong, however, in the event of high winds, we want to ensure you do not lose your door cover. Using the provided security lanyard, feed loop through the grommet in the corner of the door cover. Thread the aluminum hook through the loop and pull tight. Attach the aluminum clip to the grate of the door to secure.

4



Center the cover in front of the door and attach the magnetic door cover to the magnetic plates on the top and bottom of the door.