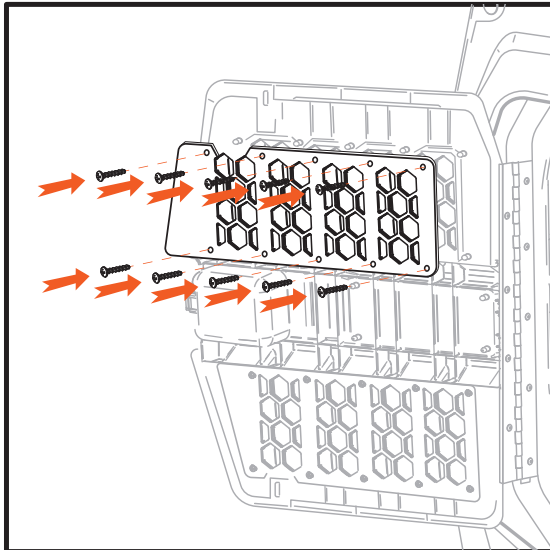




G1™ SMALL/MEDIUM CHEW KIT INSTALLATION INSTRUCTIONS

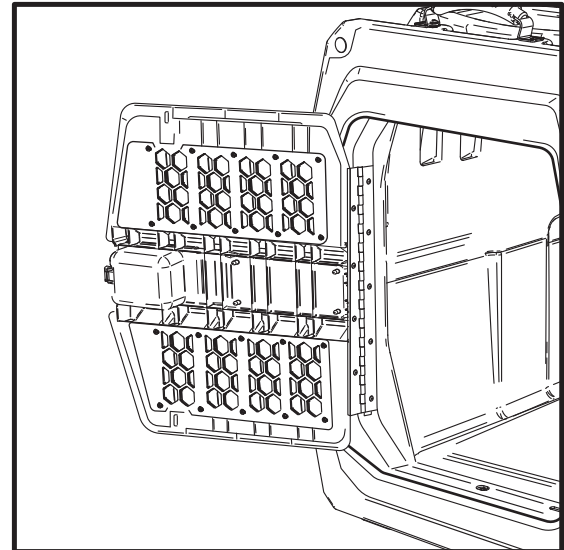
GUNNER®

1



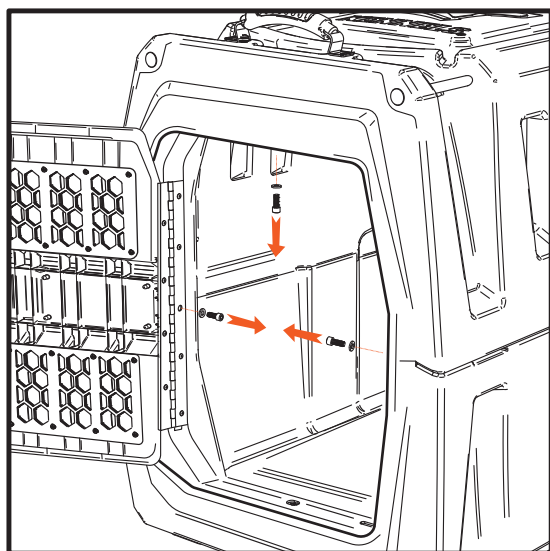
To install the Chew Kit on the door place grate over windows and align the screw holes. Install the ten screws to secure the grate in place.

2



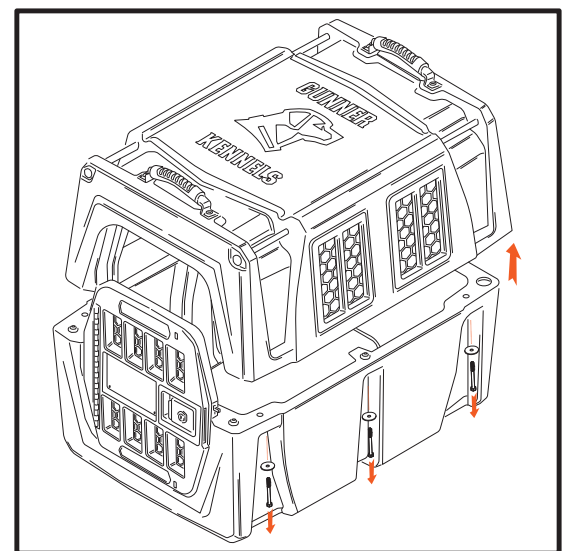
Repeat for bottom of door.

3



To install the Chew Kit on the windows use a 3/16" hex key to remove 3 cap screws.

4



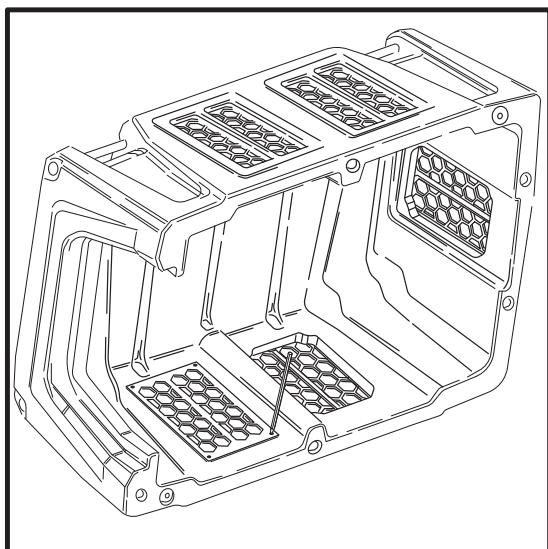
Using a 7/16" wrench or ratchet, remove the bolts and washers, fastening the upper and lower halves of the kennel.



G1™ SMALL/MEDIUM CHEW KIT INSTALLATION INSTRUCTIONS

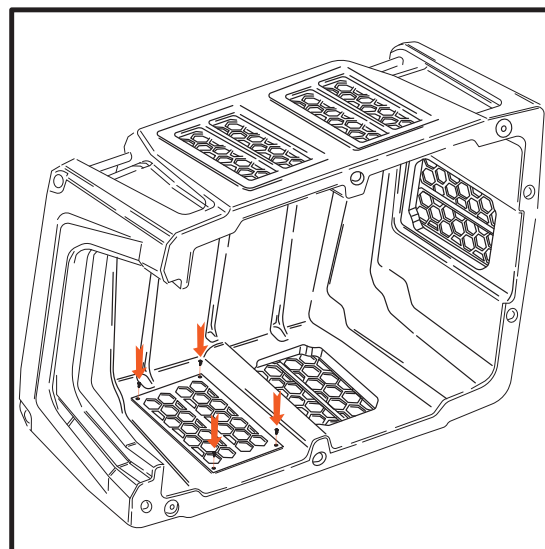
GUNNER®

5



Uninstall the window pane screws to install the Chew Kit from the inside of the kennel.

6

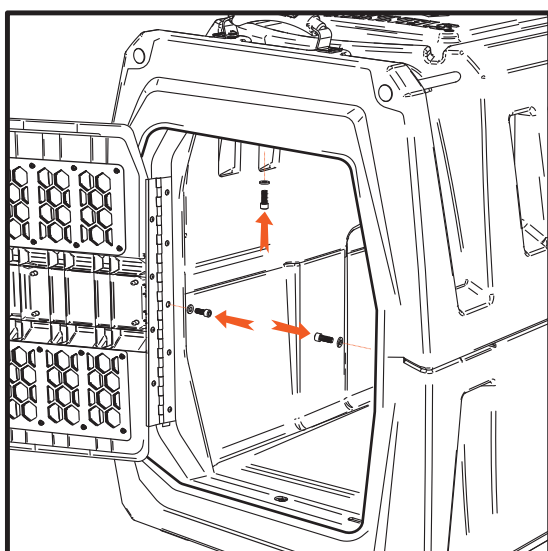


Line up the existing holes with the original kennel hardware.

Repeat step 5 and 6 for all five window panes.



7



Reinstall the upper and lower halves of the kennel. Finally, reinstall three cap screws and washers in the door frame.