



GUNNER®

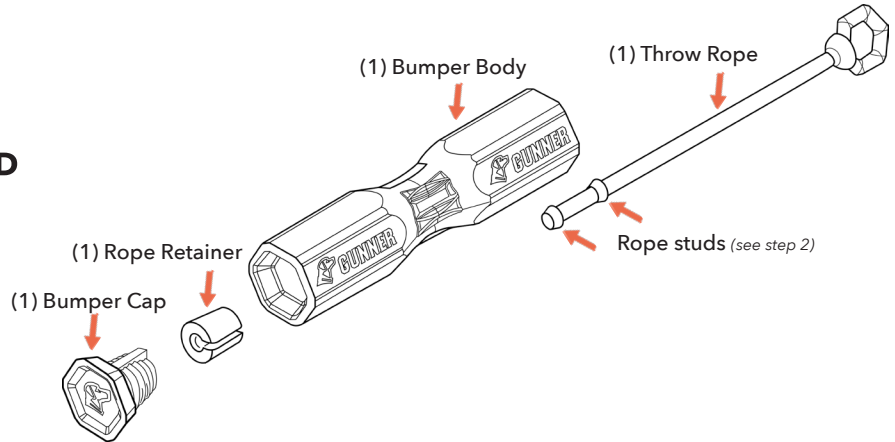
BUMPER ASSEMBLY INSTRUCTIONS

TOOLS NEEDED

No tools needed for assembly.

PARTS + HARDWARE INCLUDED

- (1) Bumper Body
- (1) Throw Rope
- (1) Rope Retainer
- (1) Bumper Cap



DURATION

From a completely disassembled state, assembly should be < 2 minutes.

HOT TIPS

1. It's all about the feel. The rope has two different length settings to ensure your best experience. Try 'em both.
2. Two ways to toss: loop your finger through or hold onto the knob.
3. Take a deep breath, the design ensures your dog can breathe while retrieving.

HOW TO CLEAN

Scrub with hot soapy water to clean.

WARNING:

Supervised Use Recommended - This is a training tool not a chew toy. Do not leave this product unattended with your pet or small children.

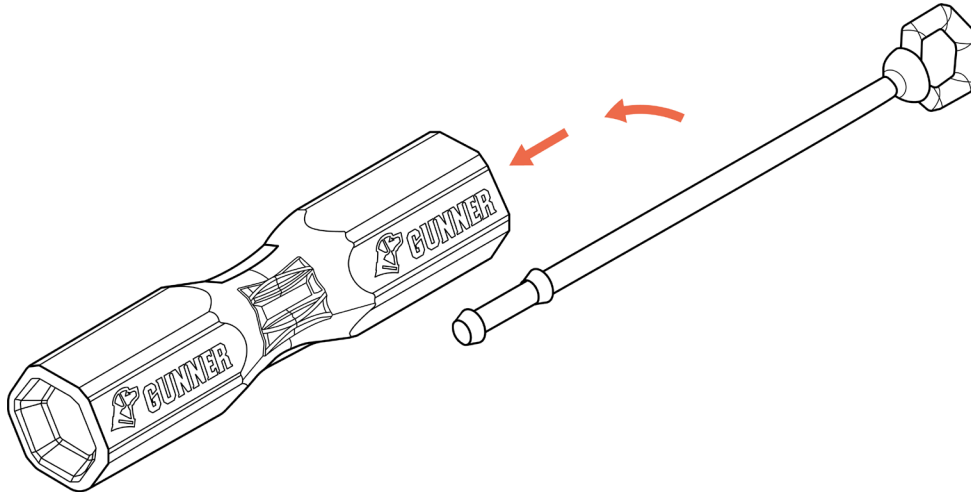
Small parts are included that have the potential to be a choking hazard.



GUNNER®

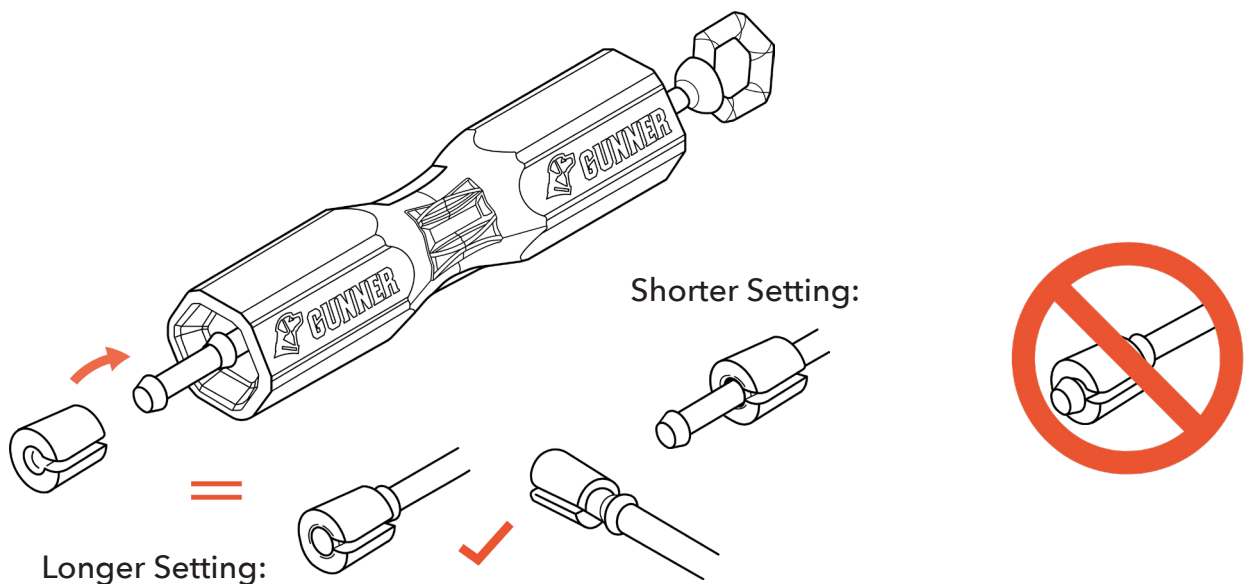
BUMPER ASSEMBLY INSTRUCTIONS

- 1 Align and feed the throw rope through the hole, push all the way through the bumper body.



- 2 Pop the rope retainer onto the end of the throw rope, ensuring that the narrower end points towards the bumper body.

Pro-Tip: The notch in the rope retainer is designed for a snug fit onto the two throw rope studs for adjustable length.



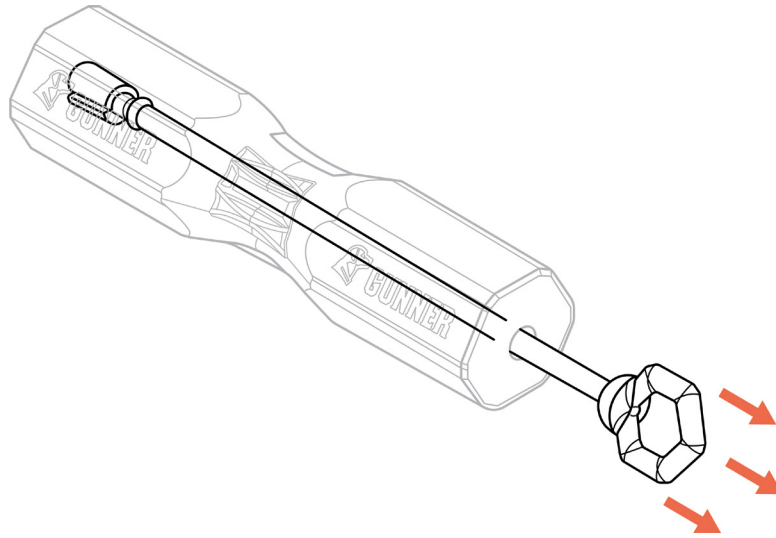


GUNNER®

BUMPER ASSEMBLY INSTRUCTIONS

3

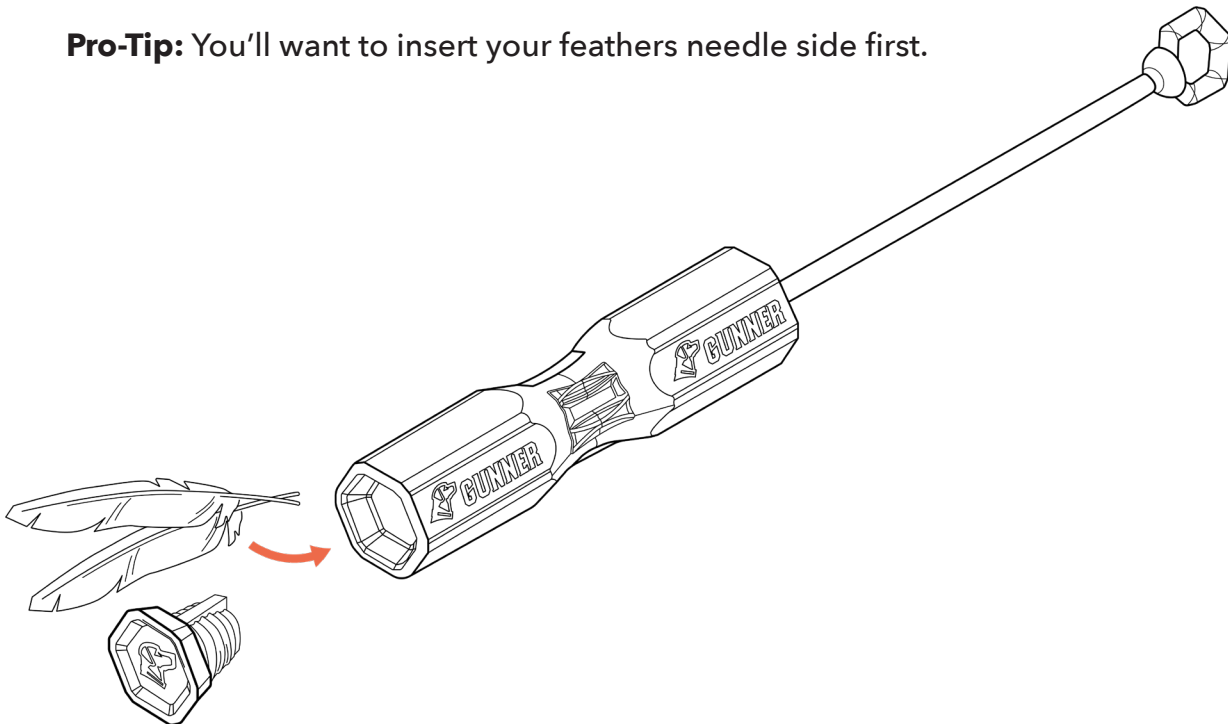
Pull the throw rope back through the bumper body until you feel a secure stop. You will feel a soft click into place.



4

If you plan to use the bumper for scent training, insert feathers, etc. into the bumper and secure with the bumper cap.

Pro-Tip: You'll want to insert your feathers needle side first.





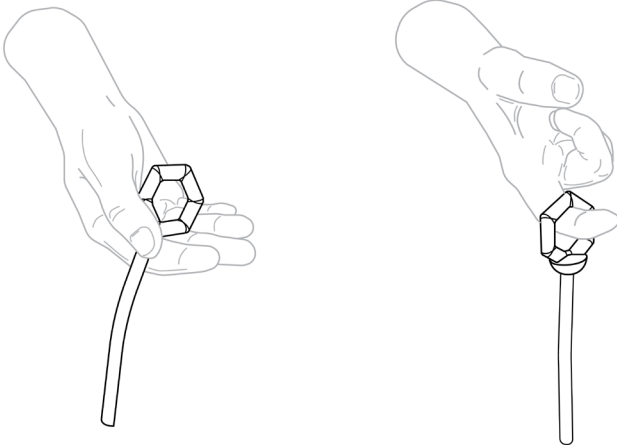
GUNNER®

BUMPER ASSEMBLY INSTRUCTIONS

5

Toss it.

Hold Options:



Swing and Throw:

