

NAVIGATOR PARTS

Install components in order:

2x Power Header - a

PCB - b

4x Jacks - c

Potentiometer - d

Slide Potentiometer - e

Screw Spacer - f

Panel - g

4x Jack Nuts - h

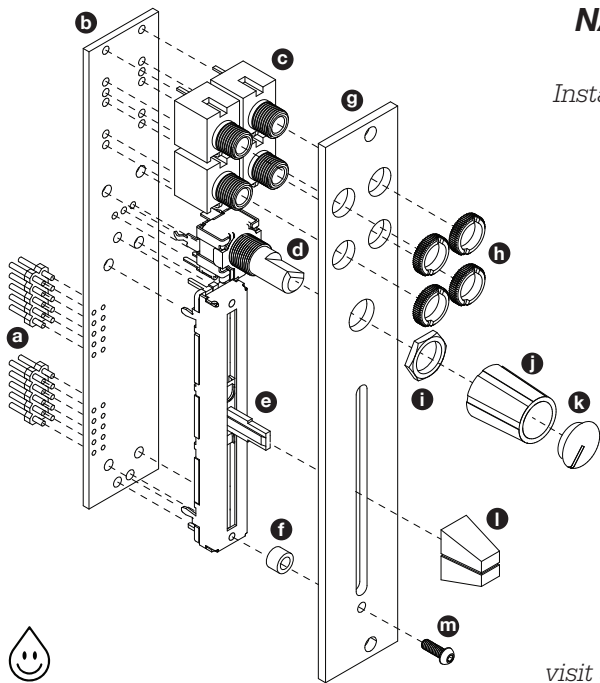
Potentiometer Nut - i

Knob Collar - j

Knob Top - k

Slide Knob - l

M2 Screw - m



*for video instructions
and module manual
visit acidraintechology.com*