

尺寸 : 117x161mm 材质 : 100g书纸 工艺 : 骑马钉

英语

Jelly Comb

# Wireless Optical TV Headphones USER MANUAL

For any inquires, please contact support@jellycomb.com

## INTRODUCTION

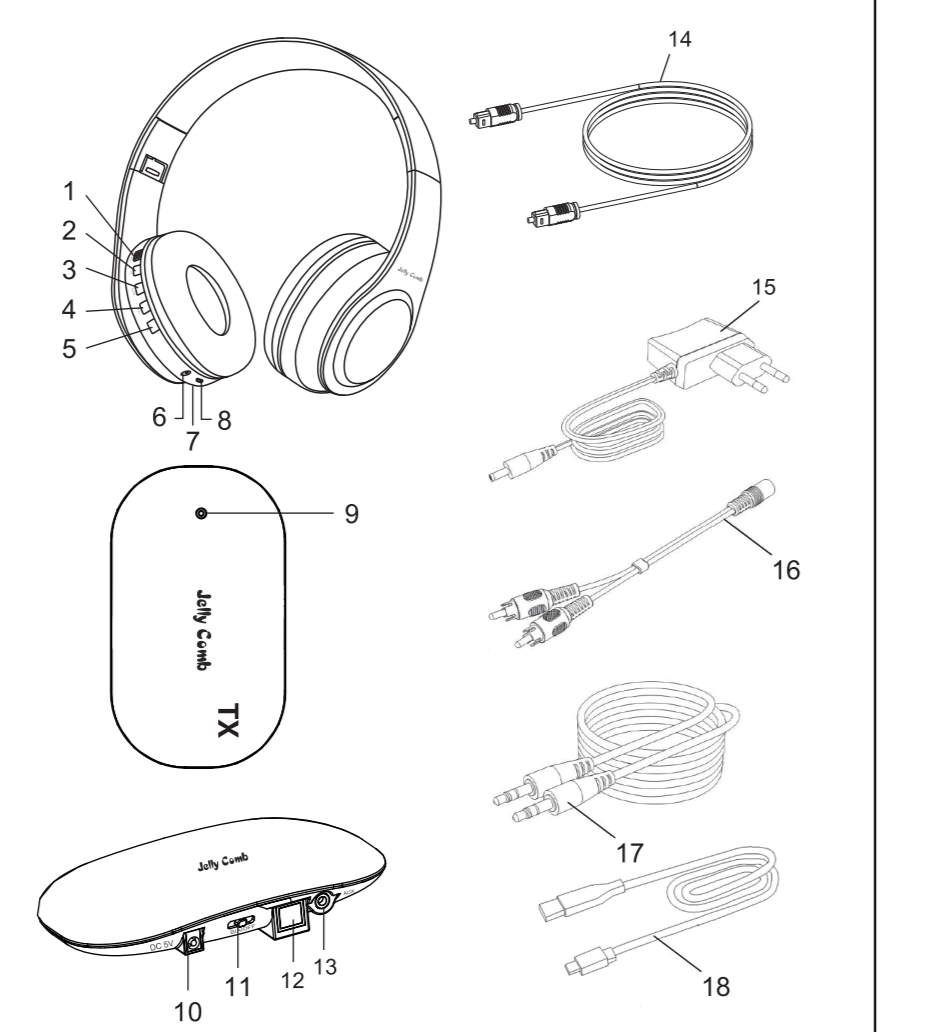
This wireless stereo headphone is a perfect solution for enjoying crystal sound stereo music and TV sound anywhere inside your home. Simply connect the transmitter to a desired audio source: TV set , DVD player, Hi-Fi system, or iPod. Without complicated wiring and installation, the system enables you to enjoy thrilling, lifelike sound in minutes.

## FEATURES

1. Work with all TV sets with 3.5mm Audio Headphone Port, or RCA Audio Output, or optical Audio Output (Smart TVs)
2. Watch TV without disturbing others
3. Headphones last up to 15 hours on one full charge
4. Wireless range: 100ft
5. Adjustable volume
6. Can also be used as wired headphones
7. Different types of cables included to meet your needs
8. One transmitter for multiple headphones
9. Headphones turn off automatically if no signal is detected for 10 minutes

1

## COMPOSANTS



2

1. ON/OFF Power Switch
2. Channel Switch
3. Mute Button
4. Volume + Button
5. Volume - Button
6. 3.5mm Audio Jack
7. Power Indicator
8. Micro USB Charging Port
9. Power Indicator
10. 5V Power Input
11. Power Switch / Channel Switch
12. Optical Audio Input
13. 3.5mm Audio Jack
14. Optical Audio Cable
15. Power Adapter + USB to DC cable
16. RCA Audio Cable
17. 3.5mm Audio Cable
18. Micro USB Charging Cable

3

1. LED Light  
When headphone is turned on, LED steadily glows red. When headphone is charging, LED steadily glows blue and turns off when fully charged. When headphones are working, the LED light stay green.
2. ON / OFF  
Switch this button to turn the headphones on/off.
3. CHANNEL SWITCH  
Short press this button to switch to desired channel.
4. MUTE BUTTON  
Short press this button to pause/continue listening.
5. VOLUME  
Press the volume +/- Key to adjust volume.
6. AUX IN  
Use a 3.5mm audio cable for wired mode.

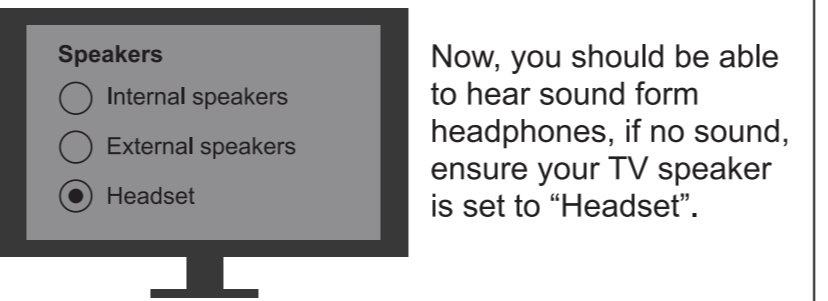
## CONNECT TO TV

- Step 1: Powering the Transmitter**  
Connect included USB adapter to the transmitter with USB to DC cable, then plug the USB adapter into wall outlet.
- Step 2: Connect the Transmitter to Your TV**  
RCA to 3.5mm adaptor cable, 1.5M 3.5mm audio cable, and optical fiber cable are provided for various type of connection to TV.

4

You may connect transmitter to the TV in three different ways:

A. Headphone Jack  
Locate 3.5mm Audio IN socket at the rear of the transmitter and securely connect the 1M 3.5mm audio cable to this socket. Then, connect the opposite end of the included 3.5mm audio cable to TV's headphone jack.



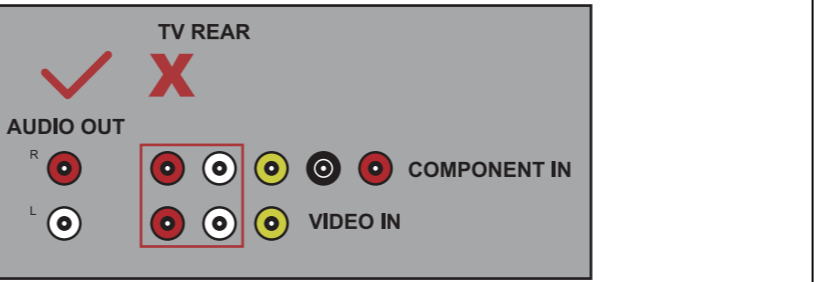
B. RCA Audio Out  
Check to see if your TV has red and white Audio Out jacks (also called RCA jacks). If so, connect the included RCA to 3.5mm adaptor cable to the RCA Audio Out jacks on your TV. Then connect the included 3.5mm cable to the RCA adapter cable, and plug the other end of the 3.5mm cable into the Audio In jack on the back of the transmitter.

5

Now, you should be able to hear sound from headphones, if no sound:

a. Ensure use TV Red/White ports labeled "AUDIO OUT", other Red/White ports are incorrect.

b. Ensure your TV Speaker is set to "External Speaker".



C. Optical output  
Many new TVs do not have a headphone jack or RCA Audio Out jacks. If this is the case, you must use the optical output on your TV. Plug the included optical fiber cable into this jack on your TV. Then plug

6

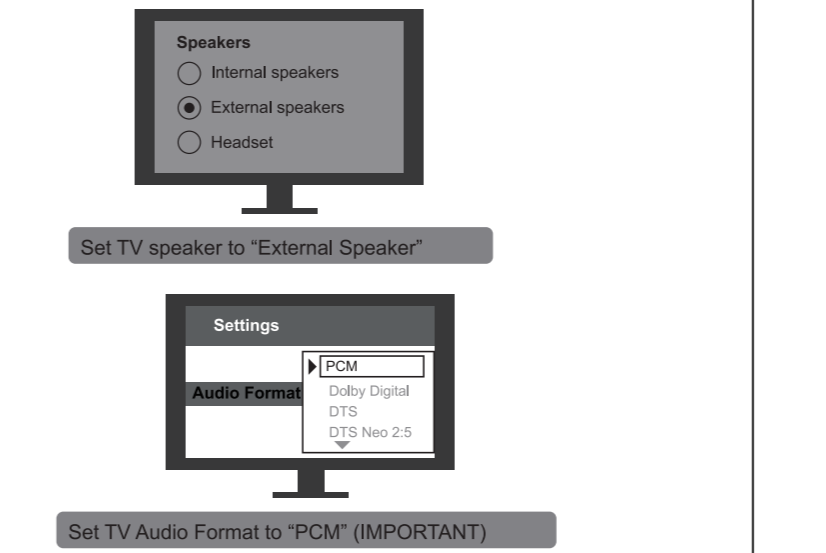
the other end into the Optical Fiber input on the back of the transmitter

Now, you should be able to hear sound from headphones, if no sound:

a. Ensure your TV speaker is set to "External Speaker".

b. Ensure TV Audio Format is set to "PCM" or turn off "Dolby/DTS"(This is **IMPORTANT**).

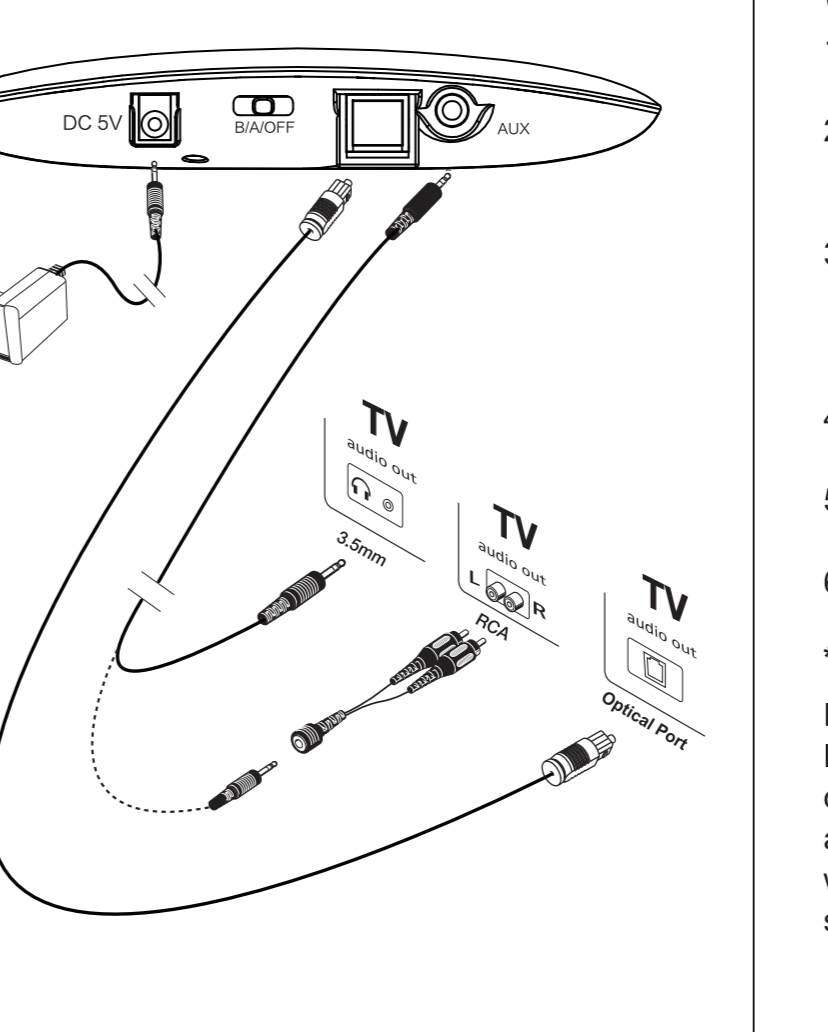
c. Ensure the sampling rate of audio source is not more than 16 bit/ 48KHz.



**Note: Unplug any devices from the 3.5mm AUX jack while using the OPTICAL output.**

7

## USE THE HEADPHONE



8

## Step 3: Connect Headphones with the Transmitter (TV Headphone Mode/Wireless Headphone Mode)

1. Turn on your audio source (e.g. TV set, Hi-Fi system, MP3 or iPod).
2. At the rear of transmitter, slide power switch to channel A or B position, and LED indicator steadily glows red.
3. Turn on the headphone by pressing and holding the power button for a couple seconds. After headphone power-on, the LED indicator will steadily glow red.
4. Once the headphone is powered on, it will automatically seek and stay at the working channel.
5. Adjust the volume on the headphones to the desired level.
6. When you are not using the headphone, turn it off.

## \* Wired Headphone Mode

Plug in 3.5mm audio cable to the headphone audio IN, and connect the opposite end to your audio devices, like MP3 or phones; you can then use it as a regular headphone. However, in this mode, you won't be able to adjust the volume by using the switch key.

9

## Headphone charging:

You can charge the headphone with a 5V USB power source. When headphone is charging, LED steadily glows blue and turns off when fully charged.  
Headphone charge: USB 5V  
Headphone charge time: about 3 hours

## Transmitter Specification:

Voltage: DC 5V  
Work Current: 80mA  
Modulate: 50Khz  
Mode: RF Stereo  
Work Distance: 100ft.

## Headphone Specification:

Voltage: 3.7V(1000mAh built in rechargeable battery)  
Work Current: 55mA  
Work Time: about 15 hours  
Receiving Frequency Response: 60~15000Hz  
Receiving Sensitivity: better than 8dBuVemf  
Distortion: <1%  
S/N: >60dB

10

## WHAT'S IN THE BOX

- Transmitter \*1
- Headphone\*1
- USB power adapter + USB to DC power cable\*1
- RCA to 3.5mm adapter cable \*1
- 1.5M Audio Cable (both ends with 3 5 mm stereo plug)\*1
- Optical fiber cable\*1
- Micro-Port USB charger cable\*1
- User manual\*1

- Notes:
1. To achieve best reception, please spread out the power cord
  2. If the sound is distorted or too strong, adjust the volume of signal source(TV set, DVD player, PC etc) to a lower level, reception performance may improve
  3. Put TV on mute or quiet mode, so you can listen to TV without disturbing others

11