

User Manual

Wireless Bluetooth Keyboard

B046

Thank you very much for purchasing this keyboard, please read this user manual carefully to ensure your new keyboard functions correctly.

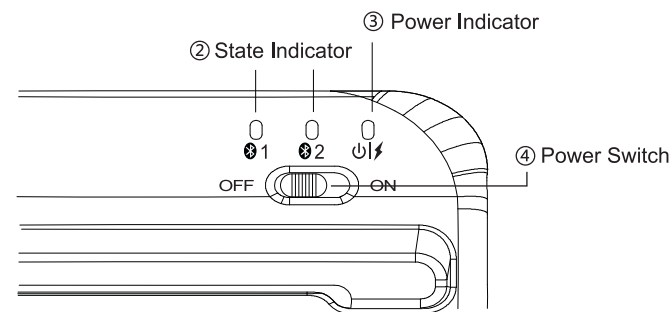
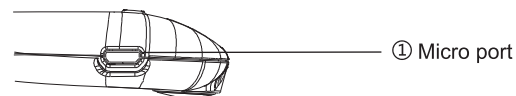
Package Contents

- 1 x Wireless Keyboard
- 1 x User Manual

Specification of Keyboard

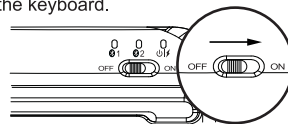
Define the name	Instructions
Operate system	Windows、Android、IOS
Battery	280 mAh
Sleep time	10mins after stop using keyboard
Key life	3 million strokes
Standby time	30 days
Charging time	2-3 hours
Continuous working time	100 hours of continuous use
Wake up way	Click any key
Dimensions	290*175*18.3 mm
Operating distance	Within 8 meters
Low voltage	1 second 1 flash
Working current	Open the Caps lock ≤ 2 mA
Sleep current	≤0.03 mA

Product Layout

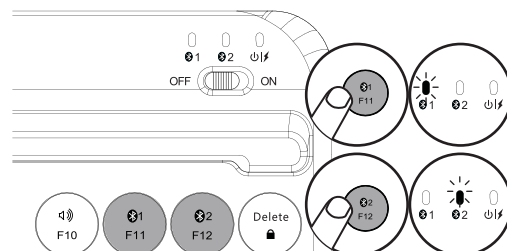


Keyboard pairing

- Slide to the right to turn on the keyboard.



- Press "Ⓜ1" or "Ⓜ2" to select the bluetooth device, The blue light flashes for a second and goes out.
- Long press "Ⓜ1" or "Ⓜ2" 3 seconds The blue light flashes and enter into pairing mode.
- After the bluetooth name(Bluetooth 3.0 Keyboard) is found on the device, click the connection, and the connection will be displayed when the match is successful.



- After bluetooth connected, short press "Ⓜ1" or "Ⓜ2" to easily switch between multiple devices.

Keyboard Indicators

Keyboard battery status indicator

When keyboard is turned on, battery status indicator lights up blue for 3 seconds, then turns off.

- Blinking red: Battery is low. Please charge the keyboard.
- Solid red: Keyboard is charging.
- Red indicator light goes off: Keyboard is fully charged.

Keys and Function

Key	Windows	Android	IOS
Fn+⌘	Web	Desktop	Desktop
Fn+Q	Search	Search	Search
⌘	Copy	Copy	Copy
⌘	Paste	Paste	Paste
☀-	Light -	Light -	Light -
☀+	Light +	Light +	Light +
⏪	Previous	Previous	Previous
⏩	Play&Pause	Play&Pause	Play&Pause
⏮	Next track	Next track	Next track
⏭	Mute	Mute	Mute
🔊-	Volume -	Volume -	Volume -
🔊+	Volume +	Volume +	Volume +
Ⓜ1	Select bluetooth device 1		
Ⓜ2	Select bluetooth device 2		
Fn+🔒	Screen Lock	Screen Lock	Screen Lock
Fn+Win	Switch to Windows system		
Fn+Android	Switch to Android system		
Fn+IOS	Switch to IOS system		

- What operating system to use, please press and hold the corresponding button to switch, so as not to affect normal use.
- If it fails to connect properly, it is recommended to turn off the bluetooth keyboard power supply, restart and connect again.

Sleep mode

- When the keyboard are not used for more than 10 minutes,the device will automatically enter into sleep mode, in order to save energy and prevent misoperation.
- If you want to wake up the keyboard, press any key and it will be waken up 3 seconds later.

Keyboard Features

- Support 3 systems.
- Easy to carry.
- Enhanced scissor keys, more sensitive and durable.
- Slim spill-resistant design with low profile keys for a comfortable typing experience.
- Circular keycap, input more comfortable.

Safety Instructions

⚠ Warning: Fire, electric shock, damage to keyboard device could occur if the following instructions are not obeyed.

🔥 Danger (high risk) ⚠ Warning (Moderate risk) ⚠ Note (Poor risk)

- 1. Away from edge tool.
- 2. Away from microwave radiation source.
- 3. Do not place heavy objects on this product.
- 4. No shocking and bending.
- 5. Away from oil, chemical, or organic solvents.