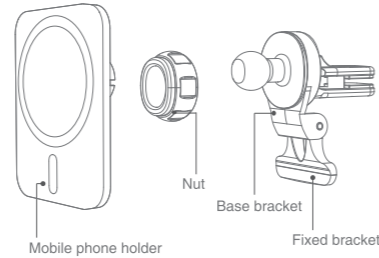


S I Z E :65*90MM 材质 : 128克铜板纸,单面印刷



Magnetic wireless charger

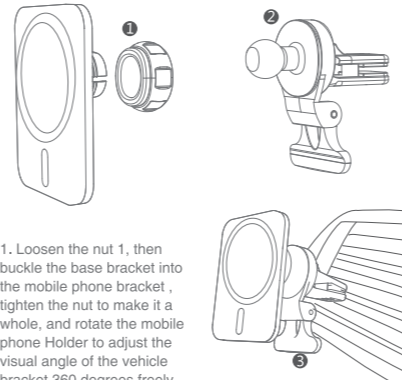
Please read the instructions before using the product



Parameter specification

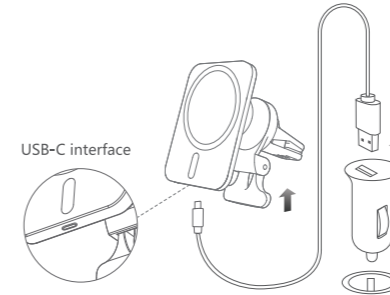
Model: MN02 Pro
Input voltage/current: DC5.0V/2.0A, 9.0V/2.0A, 12V/1.5A
Output power: 15W(Max)
Charging frequency: 110-148KHz
Transmission Distance: ≤5mm
Efficiency: ≥75%
Scope of application: For iPhone 12 series
Material: (PC+ ABS)plastic
Dimension:L81.5*W61.5*D82mm

Installation of air outlet bracket



1. Loosen the nut 1, then buckle the base bracket into the mobile phone bracket , tighten the nut to make it a whole, and rotate the mobile phone Holder to adjust the visual angle of the vehicle bracket 360 degrees freely.
2. Push forward the clamp to lock of the base bracket, put the clip into the air outlet of the car and fasten it tightly with the blade.
3. The fixed bracket is used to support and stabilize the bracket. The anti-skid part of silica gel is close to the air outlet. Pay attention to the installation direction.

Connect the power cord



- ① Connect one end of the USB-C interface of the USB cable to the magnetic wireless charging USB-C interface.
- ② Insert the USB cable USB-A into the USB socket of the car charger.

Remarks:

1. The magnetic suction function of the wireless charger only supports iPhone 12/12 mini/12 pro/12 pro Max Series.
2. The standard support 9V/12V car charger can support the fast charging function of this product, and the car charger needs to be purchased separately.

Important notes

When the wireless charger is charging for the mobile device, if you run a power-consuming application on the mobile device or use the application on the device for a long time, the mobile device will heat up. This is a normal phenomeno and will not affect the service life or performance of the device.

- 1.This product only supports original Apple protective covers, can not guarantee to be compatible with third-party magnet accessories.
2. When the bracket is installed to the air outlet, the fixed bracket should be adjusted to the appropriate position, and the anti-skid silica gel should be used to fix the air outlet to prevent shaking.
3. Adjust the mobile phone bracket to the ideal angle before placing the mobile phone
4. The bracket does not support fan-shaped air outlet
5. The equipment can be used between 0°C - 35°C, and can be stored between -20°C and 50°C. If the device is used or stored outside the recommended temperature range, it may damage the device.
6. Pls prevent the children or animal chewing the equipment.
5. Do not disassemble, modify or repair the equipment.
6. Do not place magnetic stripe cards (including credit cards, phone cards, bank books and registration cards) near the charging device to avoid damage from the magnetic field generated by the device.

◆Recommend to use with Apple original phone case

Warranty

There is one year guarantee for this product unless anthropogenic factor.

Packing List

Magnetic wireless charger x1
USB-C Cable x1
User Manual x 1

* The involved images are sketch maps , the final product as per the material subjects.