

Owner's Manual

HY96

Safety Instruction

Please Read this manual carefully before using it.

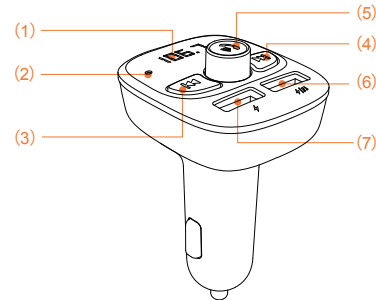
- Keep following this instruction
- Don't try to disassemble it by yourself.
- Don't expose directly to sunlight, open flames which will cause a potential damage.
- Keep your attention on road and do not operate this product while driving.

Introduction

Features :

- Input 12V-24V
- FM transmitter : 88.1-107.9 MHz range
- Bluetooth hands-free call
- Streaming music from smart phone to car audio system via FM transmitting
- Dual USB ports:
Quick charging 3.0
USB flash drive playing.
- Support TF card playing
- Car battery monitor

Here it is :

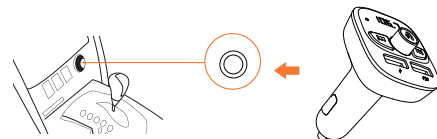


1. LED display
2. Microphone
3. Previous song
4. Next song
5. Multifunction Knob button: change frequency/ Volume +/- / Call Answer & Hung up
6. USB2: USB flash drive playing
7. USB1: QC3.0: 5V/2.4A, 9V/2A, 12V/1.5A

LED Indicator	Status
13.5	Car battery voltage
b̄	HY96 Bluetooth is ready to pair
107.6	FM transmitting frequency

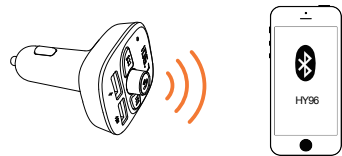
Get it ready for playing

- ① Plug HY96 into your car cigarette lighter socket.

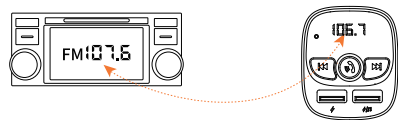


- ② LED display light on, it will show: **13.5 b̄ 107.6**
- ③ Bluetooth connect:
After LED displays "b̄", means it is ready to pair with a voice prompt: "Waiting for connection".

On your smart phone, enable Bluetooth function, search available devices, select "HY96" and pair with it. Once connected, there is a voice prompt: "Bluetooth connection success".



④ Turn on FM on your car radio, and find a vacant (unoccupied) channel. And then go to adjust the frequency on HY96 to match the frequency on your car radio.



⑤ Adjust the FM transmitter frequency. Press and hold multifunction knob button until the frequency display flickering, rotate the knob button to adjust the FM transmitting frequency to be as same as frequency on your car radio.

Play music

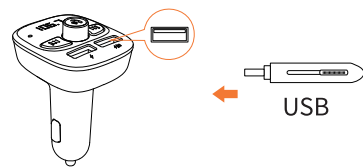
Play music on your phone:

After step 1-5, you can start playing on your smart phone, the music will streaming by Bluetooth A2DP function, from your phone via FM transmitting to car radio, and come out from car stereo system.

Play / Pause	Press
Previous / Next track	Press

Play music from USB flash drive:

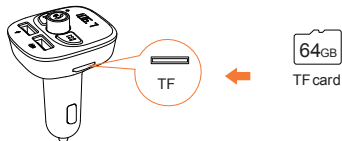
Plug USB flash drive into the right USB port with "USB" icon. HY96 will start to recognize and play automatically.



Play/pause	Press
Previous / Next track	Press
USB	USB flash drive ready to play <small>(when you plug in a USB flash drive)</small>
TF	TF card ready to play <small>(when you insert a TF card)</small>
001	Song 001 playing
Volume (U00U30)	rotate

Play music from TF card:

Insert TF card to TF card slot, HY96 will start to recognize it with display "TF" and start playing automatically. All operations are same as USB flash drive playing mode.



How to switch playing among 6E-USB & TF
Press "▶▶" and hold until LED displays 6E or TF (or USB), then playing will transfer to mode which it shows.

Hands-Free Call

After you get ready for playing, you can also start to use hands-free function.

Answer an incoming call	Press
Reject an incoming call	Press and hold
Hang up a calling	Press
Recall last incoming/outgoing call	Quickly press twice

Under music playing status (6E/TF/USB flash drive), if there is a call coming, it will switch to call mode automatically, after hung up, it will switch back to playing mode automatically.

Specification

DC input : 12V-24V

USB1:USB flash drive playing

USB2:QC3.0 2.4A, 9W/2A, 12W/1.5A

Bluetooth : V5.0

Bluetooth connect distance : 10m/393.7 in

Audio format : MP3, WMA, AAC, WAV

FM transmitting distance : ≥2M / 78.7

USB capacity support : ≤ 64GB

Working temperature range :

-4°F to 104 °F / -20 °C to 40°C

Storage temperature range :

-40°F to 185 °F / -40 °C to 85 °C