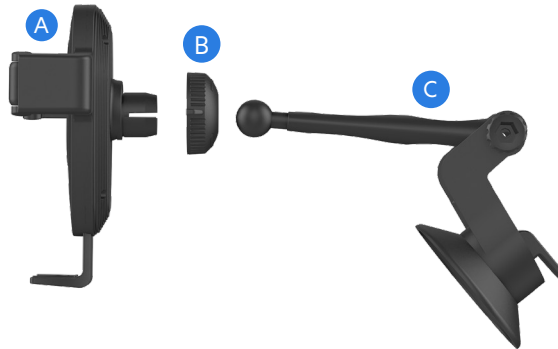


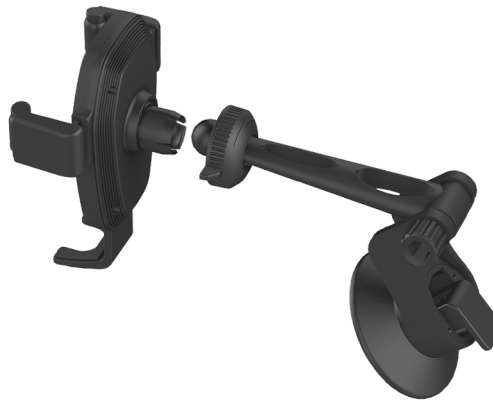
Step 1:

Unscrew fastener (B) from Phone Holder (A).



Step 2:

Facing the fastener part (B) in the same direction, place it over the ball bearing end of Mounting Arm (C).



Step 3:

Pop ball bearing of Mounting Arm (C) into the round opening on back of Phone Holder (A).



Step 4:

Screw fastener (B) in again to the phone holder (A) to tighten.



Step 5:

Place assembled item against windshield and lock into place with suction switch **(D)** found behind suction cup. Phone can then be placed into adjustable grip.

