



PowerGuard PRO combines advanced flat battery protection and remote battery switching for up to 2x battery banks. Many vehicles require both functions so PowerGuard PRO reduces installation time and the requirement to purchase separate isolator switches.

By employing leading edge technologies, PowerGuard PRO is designed to cope with the most demanding system designs and is not fooled by transient and electrically noisy loads thanks to DSP sampling. With completely configurable operation and 8x separately programmable inputs/ outputs, PowerGuard PRO is flexible enough to suit all applications.

- Combined switching and flat-battery protection
- Suitable for 1 or 2 independent battery banks (can be either 12V or 24V or mixed)
- Fully adjustable settings including: twin timers per battery channel, disconnect voltage, disconnect time, reconnect voltage (automatic if required), programmable interlocks, automatic reconnect from ignition and 8 programmable inputs/outputs
- Computer batch programming and datalogging available with optional PC interface kit. Alternatively, manual set up can be achieved using trim pots located on the front of the unit.

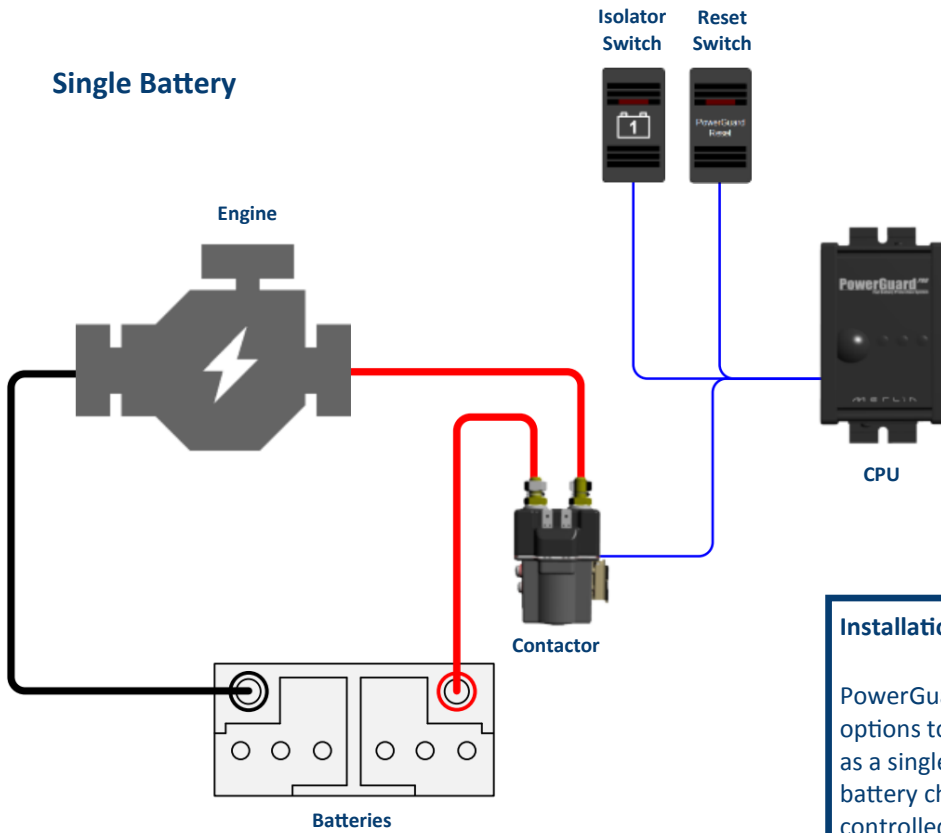


Supplied with 1x or 2x IP66 latching contactors—contactors are “bistable” which means they pull power only to transition between their on and off for maximum efficiency.



IP66 Waterproof Battery On/Off and PowerGuard reset switches (supplied). The system can be configured for automatic reset and battery on/off control from one of the units 8x inputs/outputs.

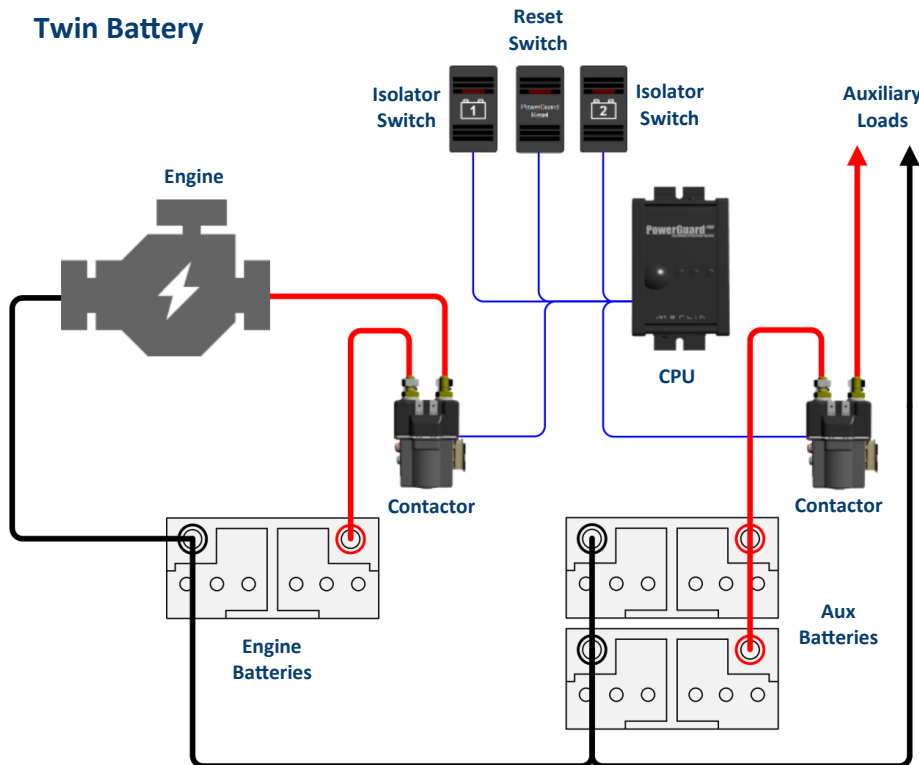
Single Battery



Installation Example:

PowerGuard PRO offers flexible installation options to suit most applications. Available as a single or twin battery bank kit; each battery channel is separately monitored and controlled.

Twin Battery



PN	04-8101	04-8103	04-8102	04-8104
Voltage	12V	12V	24V	24V
Number of Battery Banks	1	2	1	2
Contactor Current - Continuous	200A			
Contactor Current - 5 Mins	250A			
Contactor Current - Cranking	725A			
Power Consumption	<10mA		<5mA	
Connect/Disconnect Voltage Adjustment Range	Fully Adjustable			
Time Adjustment Range	Fully Adjustable			
CPU Dimensions L x W x H (mm)	68 x 100 x 32			
CPU Weight - Ex Cables (g)	178			
Contactor Dimensions L x W x H (mm)	91 x 50 x 39			
Contactor weight (g)	375			
Compliance	EMC2002/95/EC, CE, ISO7637-2, SAE J1171			
E- Mark Certification	Yes			