



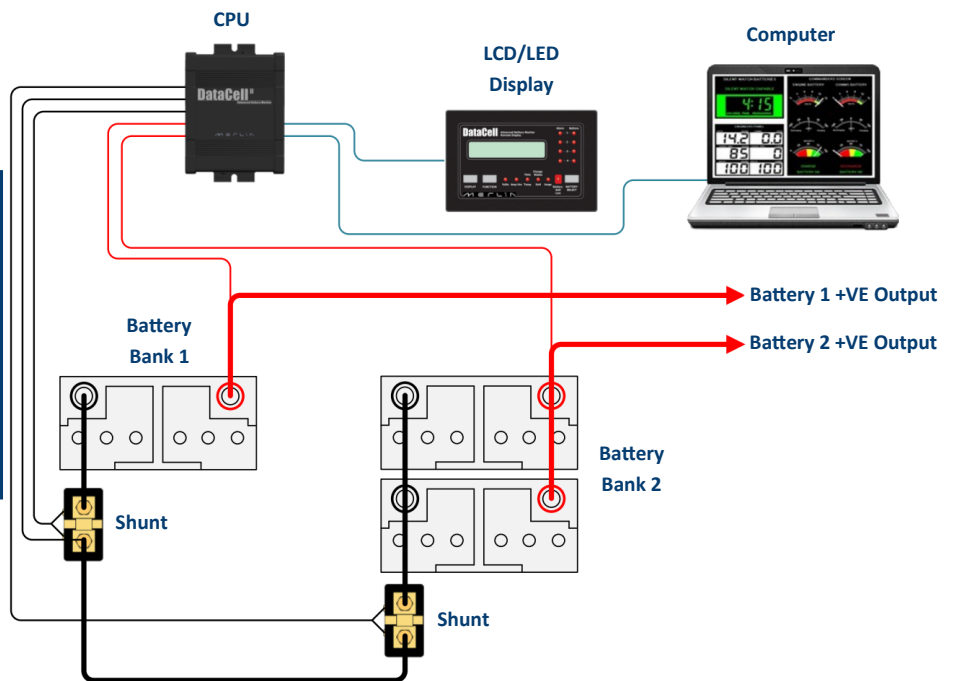
DataCell II is designed for applications where reliable and accurate battery information is mission critical. With proven World Leading accuracy, DataCell is used where life and livelihood depend on battery power.

DataCell II is configurable to suit your application with data available on an (optional) remote display panel & CANbus, RS422 output or USB computer link to datalogging and dashboard display software. The unit can be also be used as a discrete module to start/stop generators, activate alarms etc with 8x configurable inputs/ outputs.

- Provides: Volts, Net Amps, State of Charge (SoC%), Time Remaining Until Flat, Amp Hours Counted, Temperature and State of Health (SoH%) • Accuracy Error: SoC%
- Accuracy Error: SoC%
- Suitable for up to 4 battery banks 50-2000Ah, 12 or 24V
- 8x configurable inputs/outputs for external alarms, auto generator start/stop etc
- Data output via Remote Panel, PC (USB), RS232/422, CANbus

**Installation Example:**

Typical 2 battery installation shown. DataCell II can monitor up to 4 Independent batteries. A (supplied) 500A shunt must be installed in the DC negative cables for each battery bank as well as a voltage sense wire and temperature sensor.





Independently Verified: DataCell II has been independently tested in both stand-alone and against competitive products by leading independent authorities—including EnerSys (World’s Largest Battery Manufacturer), DSTL (UK Defence Scientific Technology Laboratories), US Army Tardec and BAE Systems & General Dynamics. Without exception each verified to be the most accurate monitor tested to date.

DataCell overcomes all other issues associated with other shunt and ohmic based monitoring devices including: Battery Synchronisation, Inaccurate readings due to battery post resistance, significant & excessive current consumption, State of Charge drift during standby mode & non-trended inaccurate instantaneous readings.

PN	19-6021	19-6022	19-6023	19-6024
Number of Battery Banks	1	2	3	4
Nominal Voltage	12 or 24V DC			
Voltage Range	9 - 40V DC			
12V Measurement Range	9 - 17V DC			
24V Measurement Range	18 - 34V DC			
Current Range	0 - 1000A (500A Shunt(s) Supplied)			
Power Consumption	<5mA (With CAN active <25mA)			
Recommended Battery Size (@20HR Rate)	50-2000Ah Per Battery Bank			
Overall Dimensions L x W x H (mm)	90 x 110 x 32			
Weight - Ex Cables (g)	212			
Compliance	Ce Marked Meeting EMC Directive 2004/108/EC & LVD2006/95/EC Complying with EN60335-1m RoHS 2002/95/EC			

**Remote Panel**

DataCell Remote Panels Optional “Plug & Play” remote panels are available to allow viewing of Voltage, State of Charge % and alarms. Available with alphanumeric LCD display or large format red LED display. Dimensions (HxW): 80 x 122 mm (cut out 70 x 112 mm, max depth 40mm).

