



Provides circuit protection for 25 to 150 Amp loads when switching and circuit protection are both required

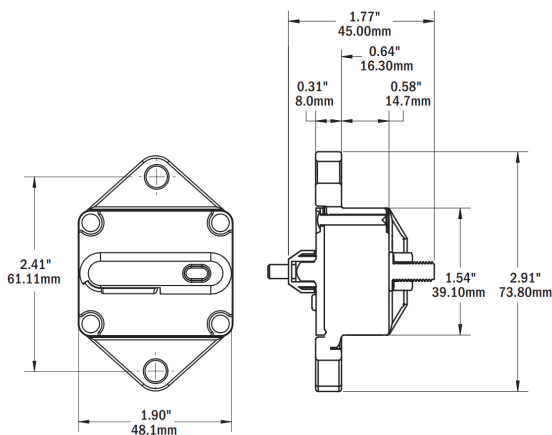
- Visible yellow reset lever shows open condition
- Trip-free design cannot be held closed after trip
- Drop in replacement for 185 Series Circuit Breakers
- 3,000A AIC for medium battery banks

Interrupting Capacity	3,000A @ 48V DC†
Voltage Max. Operating	48V DC
Temperature Min. Operating	-40°C
Temperature Max. Operating	85°C
Type	Thermal
Class	Type III – Switchable/Manual Reset – Trip Free
Terminal Stud	M6 (accepts 1/4" Ring Terminal)
Terminal Stud Torque	50 in-lb (7.9 Nm)
Mounting Hole	Accepts 1/4" screw (M6)
Regulatory	CE marked Meets SAE J1171 external ignition protection requirements,

†AIC ratings achieved using SAE J1625

IP67 – protected against immersion up to 1 meter for 30 minutes

Panel Mount



Surface Mount

