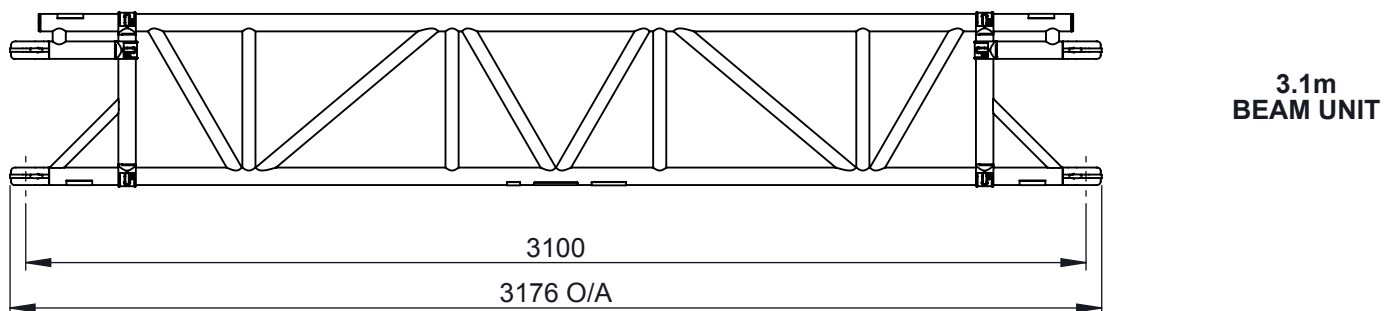
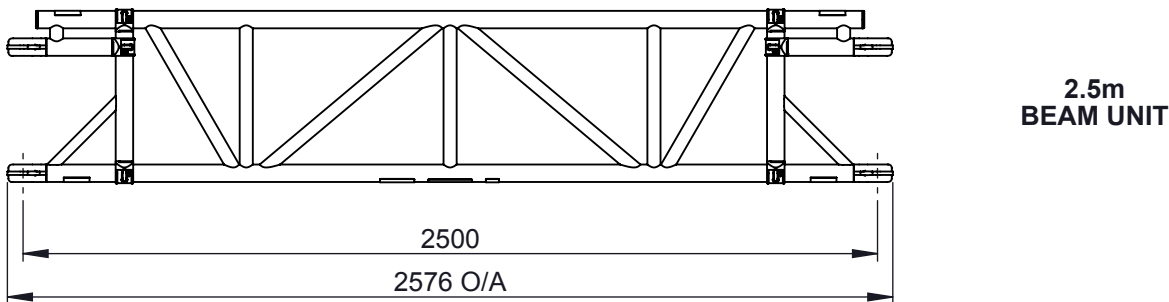
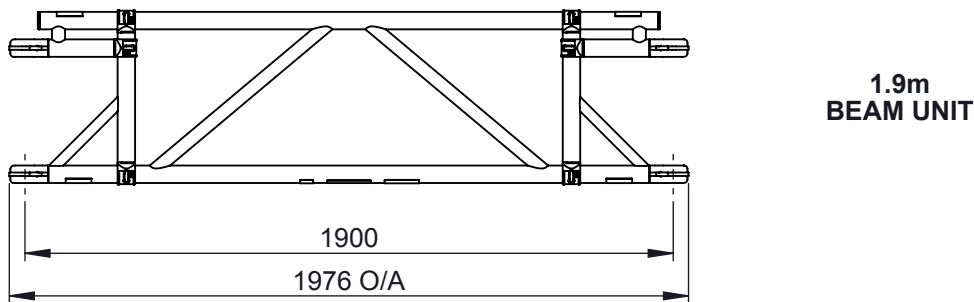
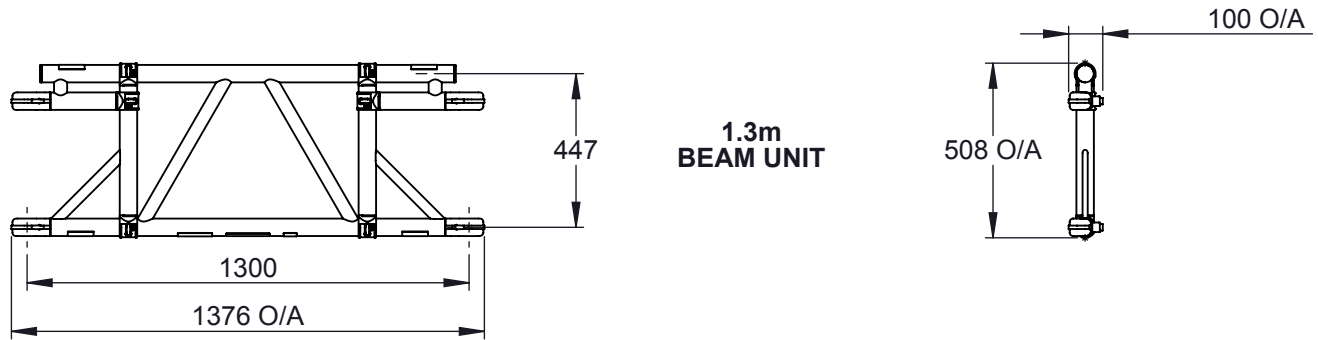


TECHNICAL SPECIFICATION

Note: All dimensions in mm unless otherwise stated



NOTE: ALL MAIN TUBES 50.8mm DIAMETER

PART NO.	DESCRIPTION	WEIGHT
328513	1.3m BEAM UNIT	5.6kg
325513	1.9m BEAM UNIT	6.4kg
326513	2.5m BEAM UNIT	8.3kg
327513	3.1m BEAM UNIT	9.7kg