



Project:
Item Number:
Quantity:

Vertical Contact Bun Toaster – 1,400 Bun Halves per Hour*

The Vollrath Company, L.L.C.

VERTICAL CONTACT BUN TOASTER – 1,400 BUN HALVES PER HOUR * (MODEL CBT15)



DESCRIPTION

Vollrath's Vertical Contact Bun Toaster delivers perfectly toasted hamburger buns - smooth toasted cut sides that hold up to juicy burgers, sauces and sandwiches; with warmed crown and heel sides. The vertical, space-saving countertop design improves kitchen operation by moving bun toasting from the flat top to the countertop. This toaster is ideal for food service operations that need high-volume bun toasting.

WARRANTY

- Warrantied parts: The warranty period is 2 year parts, 1 year labor.
- Heater tubes: The warranty period is 1 year parts and labor.
- For full warranty details, please refer to www.Vollrath.com.

AGENCY LISTINGS



* Slices per hour is based on maximum conveyor speed. Conveyor speed determines toasting time and affects color and texture of the toast. Results may vary based upon type of bread, color and texture preference.

Due to continued product improvement, please consult www.vollrath.com for current product specifications.

ITEMS

Item No.	Model No.	Description
VCT4-208	CBT15	Vertical Contact Bun Toaster, 208V
VCT4-240		Vertical Contact Bun Toaster, 240V

FEATURES

- Stainless steel and aluminized steel construction.
- Two openings for maximum loading capacity.
- Aluminum platen provides a smoothly toasted surface to hold up to juicy burgers and sauces.
- Adjustable product opening ½" - 1" (1.3 - 2.5 cm) to accommodate different types of buns.
- Non-stick release sheet is easy to clean and install. Ships with two sheets – one installed, and one extra sheet in the box.
- Independent variable speed controls for each opening.
- Heavy-duty, metal-sheathed heating elements are thermostatically controlled.
- Axillary heater elements to warm crown and heel sides.
- High-temperature bearings ensure smooth operation and do not require lubrication.
- High-quality, insulated wires help prevent against dry rotting and cracking.
- High-temperature thermoplastic terminal blocks with stainless steel clamping provides superior connections; designed for ease of serviceability.
- Maintenance-free drive system; stainless steel drive chain does not require lubrication.
- Fan control switch senses temperature of unit and keeps fan running until unit is completely cool.
- Adjustable legs.
- 4½ ft. (1.4 m) cord with plug.
- Made in the USA.

ACCESSORIES

- 351032** Replacement Release Sheets (quantity 2)
- 351034** Butter Wheel (Not NSF)

CLEARANCE AND ENVIRONMENT REQUIREMENTS

Do not place on surfaces or near walls, partitions or kitchen furniture unless they are made of non-combustible material or clad with non-combustible heat-insulating material. Toasters must not be used near or below curtains and other combustible materials.

Approvals	Date



www.vollrath.com

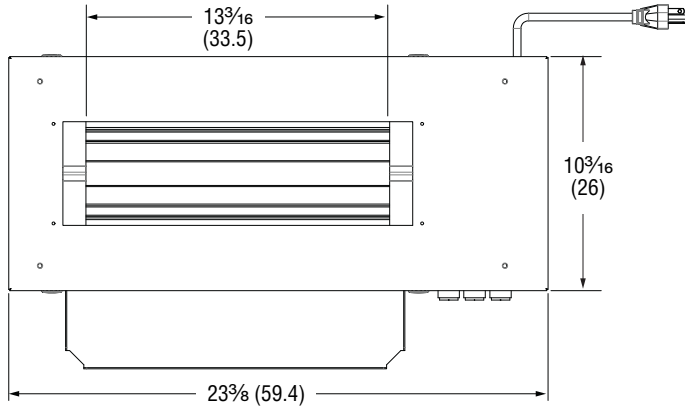
The Vollrath Company, L.L.C.

1236 North 18th Street
 Sheboygan, WI 53081-3201 U.S.A.
 Main Tel: 800.624.2051 or 920.457.4851
 Main Fax: 800.752.5620 or 920.459.6573
 Customer Service: 800.628.0830
 Canada Customer Service: 800.695.8560

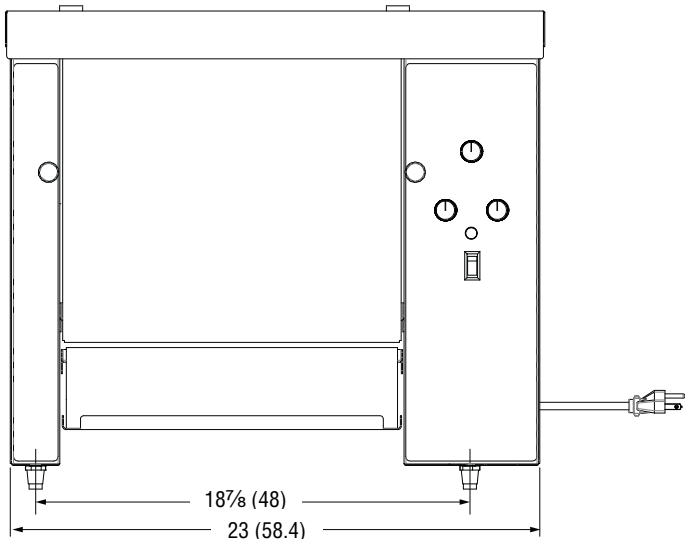
Technical Services
techservicereps@vollrathco.com
 Toasters: 1-800-309-2250
 All Other Products: 800.628.0832

VERTICAL CONTACT BUN TOASTER – 1,400 BUN HALVES PER HOUR* (MODEL CBT15)

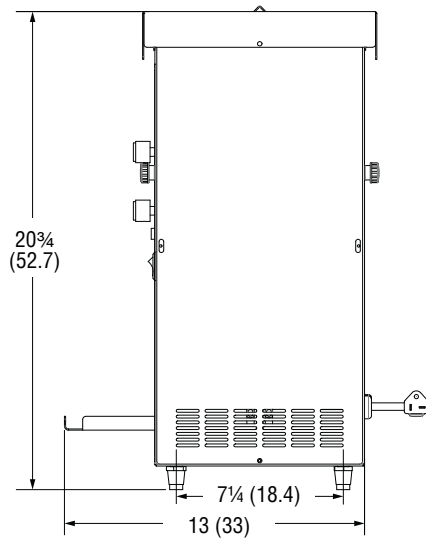
DIMENSIONS (Shown in inches (cm))



Top View



Front View

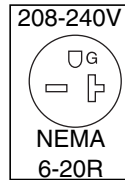


Side View

SPECIFICATIONS

Item No.	Bun Halves Per Hour (Up To)*	Product Opening In (CM)	Voltage	Watts	Amps	Hz	Weight LB (kg)	Plug
VCT4-208	1,400	Adjustable 1/2 - 1	208	3200	15.4	60	75 (34)	NEMA 6-20P
VCT4-240		(1.3 - 2.5)	240		13.3			

Receptacle



* Slices per hour is based on maximum conveyor speed. Conveyor speed determines toasting time and affects color and texture of the toast. Results may vary based upon type of bread, color and texture preference



www.vollrath.com

The Vollrath Company, L.L.C.

1236 North 18th Street
 Sheboygan, WI 53081-3201 U.S.A.
 Main Tel: 800.624.2051 or 920.457.4851
 Main Fax: 800.752.5620 or 920.459.6573
 Customer Service: 800.628.0830
 Canada Customer Service: 800.695.8560

Technical Services
techservicereps@vollrathco.com
 Toasters: 1.800.309.2250
 All Other Products: 1.800.628.0832