



Equipment for the Foodservice Industry

value + quality + service

Work Top Refrigeration

CWDR2-60VC



CWDR2-60VC

Features

Features

- Exterior & interior stainless steel construction
- Environmentally friendly R290 refrigerant
- Heavy duty Embraco compressor
- Self-closing and stay open door
- Efficient refrigeration system
- Recessed door handle
- Removable gasket that is easy to clean and replace
- Casters for easy movement
- Pre-installed shelves

Warranty

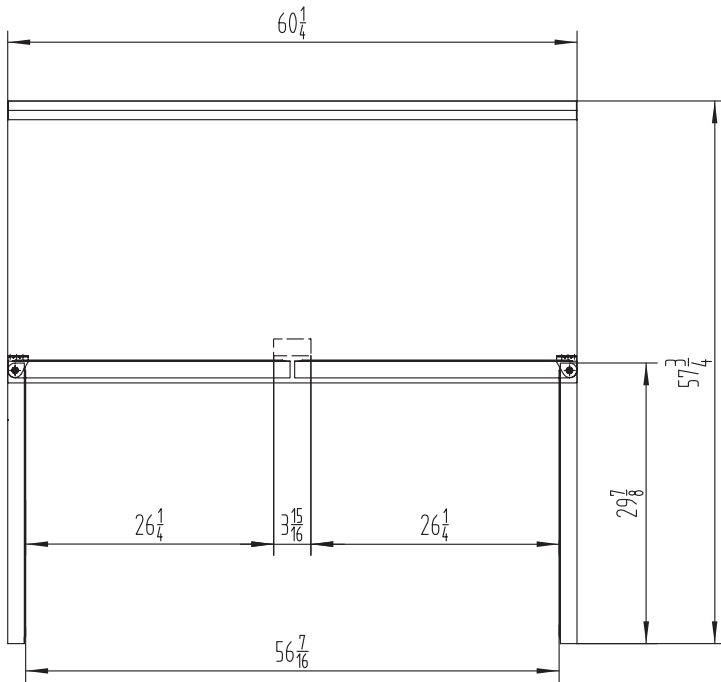
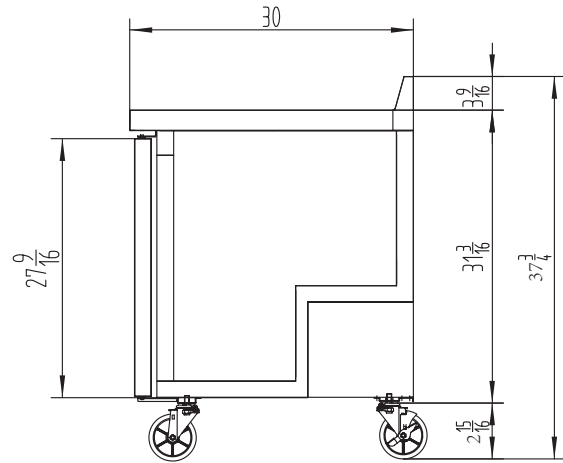
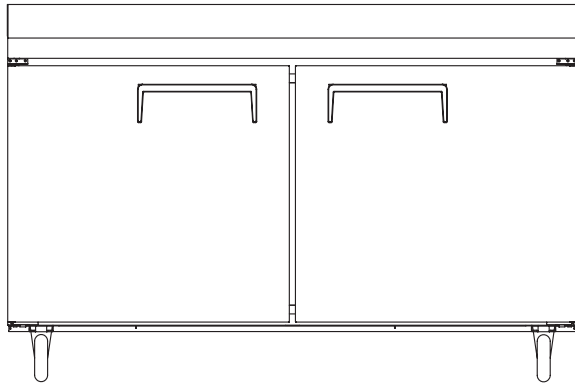
- One year parts and labour; Five years on compressor
- Specifications subject to change without notice



WARRANTY
INFORMATION
One year parts and
labour. Five years on
compressor



CWDR2-60VC Specifications



| Model | Refrigerant | Doors | Shelves | Dimension (mm / inch) | | | HP | Voltage | Amps | Capacity (L / Cu Ft.) | Net Weight (KG / LBS) | Temperature Range | NEMA Config. |
|------------|-------------|-------|---------|--------------------------|------|------|-----|---------|------|--------------------------|-----------------------------|----------------------|--------------|
| | | | | L | D | H | | | | | | | |
| CWDR2-60VC | R290 | 2 | 2 | 1530 | 762 | 919 | 1/5 | 115/60 | 2.8 | 487 | 101 | 1 ~ 8°C | 5-15P ⓘ |
| | | | | 60.2 | 30.0 | 36.2 | | | | 17.2 | 222 | 33 ~ 45°F | |