



Simply Engineered Better

Project _____

Item No. _____

Quantity _____

601LTG LOW TEMPERATURE GLASSWASHER

601LTG

Undercounter Low Temperature Glasswasher



SPECIFIER STATEMENT

Specified unit will be the Moyer Diebel model 601LTG undercounter low temperature glasswasher at 29-5/8" standard height.

Features include 7-1/4" height stand, 12-1/8" door opening, 1 Hp pump motor, soft start feature, 0.75 kW tank heater, LED temperature display, liquid detergent, sanitizer and rinse aid pumps complete with prime switches, flexible fill and drain hoses as well as an auto-clean cycle which flushes tank interior at shutdown.

Wash tank constructed of type 316 stainless steel.
1 year parts and labor warranty.

Vent hood is not recommended as unit does not produce excessive steam. Always follow local building code guidelines.

STANDARD FEATURES

- **Ergonomic**, practical, 22-1/2" [572] loading height
- **Soft Start**, protect glasses and mugs from chipping and breaking
- **Industry leading**, deep drawn, type 316 stainless steel tank
- **12-1/8" [308] door opening**, ideal for racked glasses
- "Vari-cycle" button allows unlimited number of user selectable cycle times
- Fill and drain type operation. Rinse water is always re-used as next cycle's wash water
- Delime feature allows easy deliming of wash cavity
- Auto-clean flushes tank interior at end of serving period
- Electric tank heater (0.75 kW)
- Flexible fill and drain lines
- Flow regulator/line strainer- no PRV required
- Standard pumped drain for total ease of installation
- Liquid detergent, sanitizer and rinse-aid dispensing pumps complete with prime switches
- Counter-balanced door
- Advanced service diagnostics
- Two 20"x20" racks, one peg, one flat

OPTIONS & ACCESSORIES

- Low Chemical Alarm P/N 0712314
- 17RS – 17" Stand (replaces existing stand) P/N 0708757
- 4" Stand (converts to a standard counter height) P/N 0714292
- 1" Roller kit (adds 1" to height) P/N 0712480-1
- Flat bottom dishrack P/N 101273
- Peg dishrack P/N 101285

MD601LTG Printed in U.S.A.

Moyer Diebel – USA

3765 Champion Blvd, Winston-Salem, NC 27105 Tel: 336/661-1992 Fax: 336/661-1979 800/228-8350
www.moyerdiebel.com

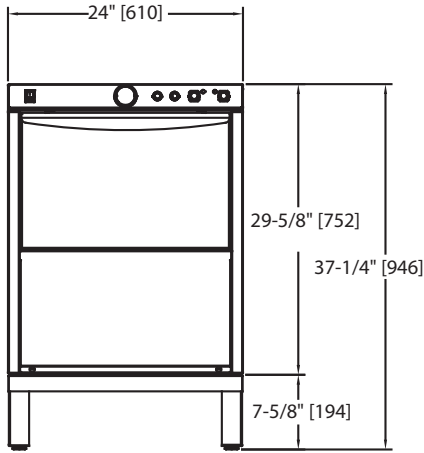


Simply Engineered Better

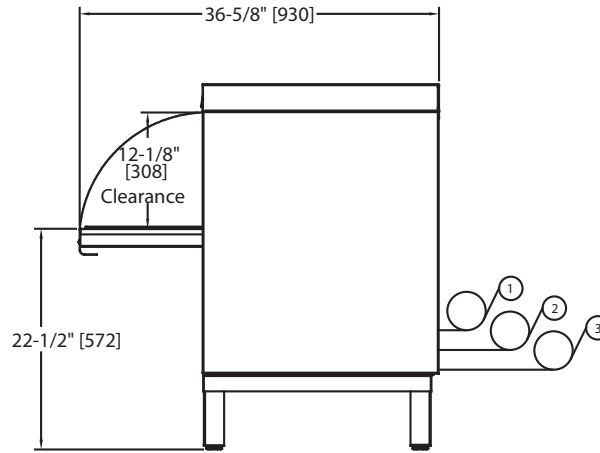
601LTG

Undercounter Low Temperature
Glasswasher

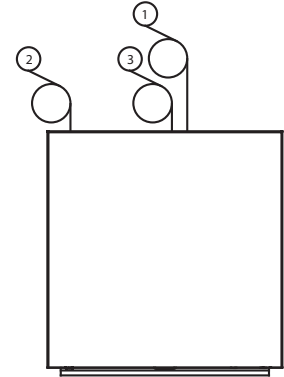
Dimensions shown in inches and [millimeters]



Front View



Side View



Plan View

SPECIFICATIONS

Capacities

*Racks per hr. 25

Motor horsepower

Wash 1

Water consumption

U.S. gal per hr (max use) 38

U.S. gal per rack 1.5

Temperatures °F

Wash 140

Rinse 140

Heating

Tank heat, electric (kW) .75

Time Cycle in Seconds

Wash 90

Rinse 26

Drain/fill 25

Total cycle 141

***Note:** Allow additional 3" clearance from wall.

Utilities

1 Electrical

115/60/1; 12 amp draw; to be fused at 15 amp; 4ft. plug-in cord supplied.

2 Water Connection

120°F Min., 1/2" supply hot water connection
6 ft. long, 1/2" I.D. flexible fill hose with 3/4" hose connector
Flow pressure; 25-95 psi

3 Drain Connection

6 ft. long, 5/8" I.D. flexible drain hose
Max. drain flow: 15 US gpm

	Uncrated	Crated
Height*	37-3/4"	39-1/2"
Width	24"	25"
Depth	25"	25-1/2"
Ship Wt. Lbs	178	198

* Front leveling feet provided.

* Excludes 30 second NSF load/unload time

Warning Plumbing and electrical connections should be made by qualified personnel who will observe all the applicable plumbing, sanitary and safety codes.

Due to an ongoing value analysis program at Moyer Diebel, specifications in this catalog are subject to change without notice.

Moyer Diebel – USA

3765 Champion Blvd., NC 27105
336/661-1992 • Fax: 336/661-1979

moyerdiebel.com

an Ali Group Company



The Spirit of Excellence