

# LED Basic Light Kit for Precedent Installation Instructions

## CONTENTS OF KIT:



Headlight Bumper  
Assembly



Tail Lights



Fuse Wire  
Assembly



Wiring Harness with  
Push Pull Switch



6 Zip Ties

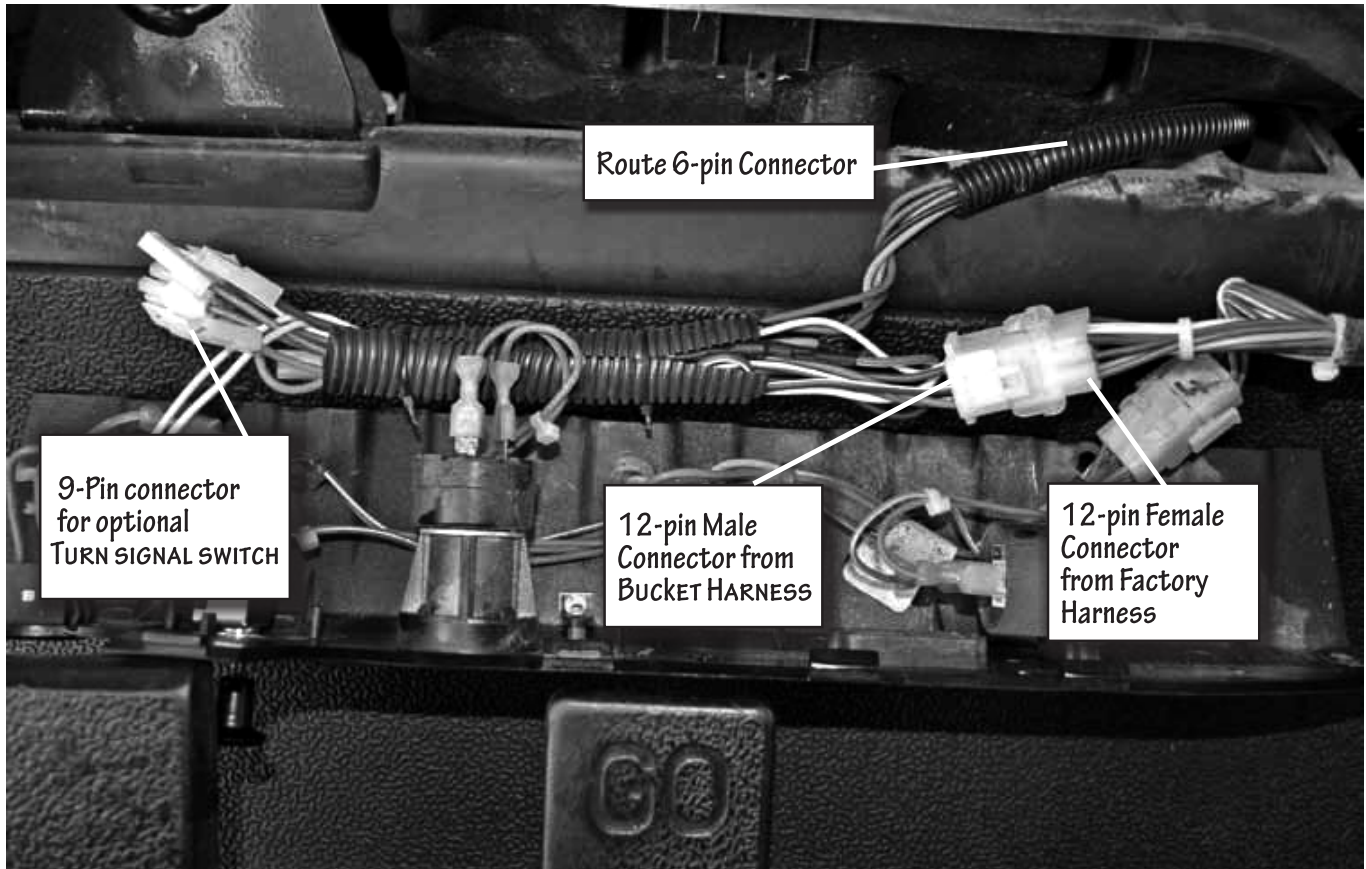
## PLEASE NOTE:

YOU WILL NEED *GAS HARNESS* IN CONJUNCTION WITH PRECEDENT BASIC LIGHT FOR INSTALLATION ON A PRECEDENT *GAS GOLF CAR*. IF YOU HAVE A 2008 OR NEWER CLUB CAR PRECEDENT YOU WILL NEED *BUCKET HARNESS* (NOT INCLUDED IN FACTORY HARNESS).

**Caution:** Before starting installation, remove the system positive and negative connections from the battery or battery pack and place tow run switch in the tow position on electric vehicles.

Before beginning installation please carefully review installation instructions in their entirety.

## PICTURE 1



### HARNESS INSTALLATION: PICTURE 1

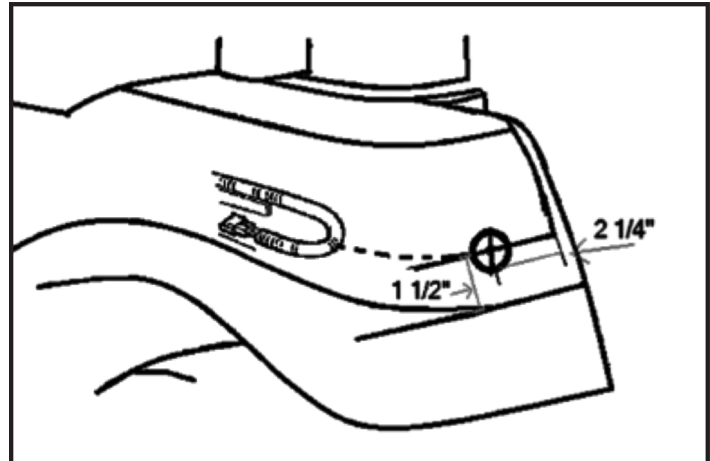
1. Remove the three Torx head screws that secure the instrument panel and remove the panel from the dash.
2. Locate the indentation to the right of the key switch on the instrument panel and drill a 7/16" hole for the push pull headlight switch.
3. Remove the knob, retaining nut and washer from the push pull head light switch. Insert the shaft of the switch into the hole in the instrument panel and secure using the washer and nut. Reattach the knob.
4. Plug the 12 pin male Precedent light harness connector into the 12 pin Female connector on the main vehicle harness and wire tie to existing instrument panel control harness.
5. Route the 6 pin headlight connector through the cutout in the passenger dash.
6. Reinstall the instrument panel. Caution: Do not pinch any wiring.
7. Remove the front bumper. Retain hardware. You will need it to install the new Headlight Bumper assembly.
8. Plug the 6 pin male wire harness connector into the 6 pin female headlight wire harness connector and wire tie harness to frame support (the two extra wires on this harness are for use with the optional horn kit).
9. Install the Headlight Bumper assembly using retained hardware from Step 7.

## TAIL LIGHT INSTALLATION: PICTURE 2

Before removing double sided tape and installing the LED Tail Lights, test fit them in their position on the rear location of the vehicle.

1. mark the center of the taillight hole using drawing 1
1. Using a 1-1/2 inch hole saw, drill a hole in the location as shown in drawing 1 . Sand to remove sharp edges.
2. Position the tail lights as shown in Picture 2. The flat ends of the tail lights should be where the sharper curve of the body from the bag well begins a more gradual curve. If there is a gap between the tail light and the body, reposition until there is no gap.
3. Thoroughly clean the surface area where tail lights will be mounted. Important: Surface must be free of any dirt, wax, or products that will inhibit double sided tape from adhering properly.
4. Reach inside the hole and pull the tail light connector through the hole in the rear body.
5. Connect the tail lights to the vehicle tail light wiring harness.
6. Determine the desired location of the tail lights. Remove the double sided tape from the back of the tail light and mount to the rear body.

## DRAWING 1



## PICTURE 2



## PICTURE 3

### FUSE ASSEMBLY INSTALLATION: PICTURE 3

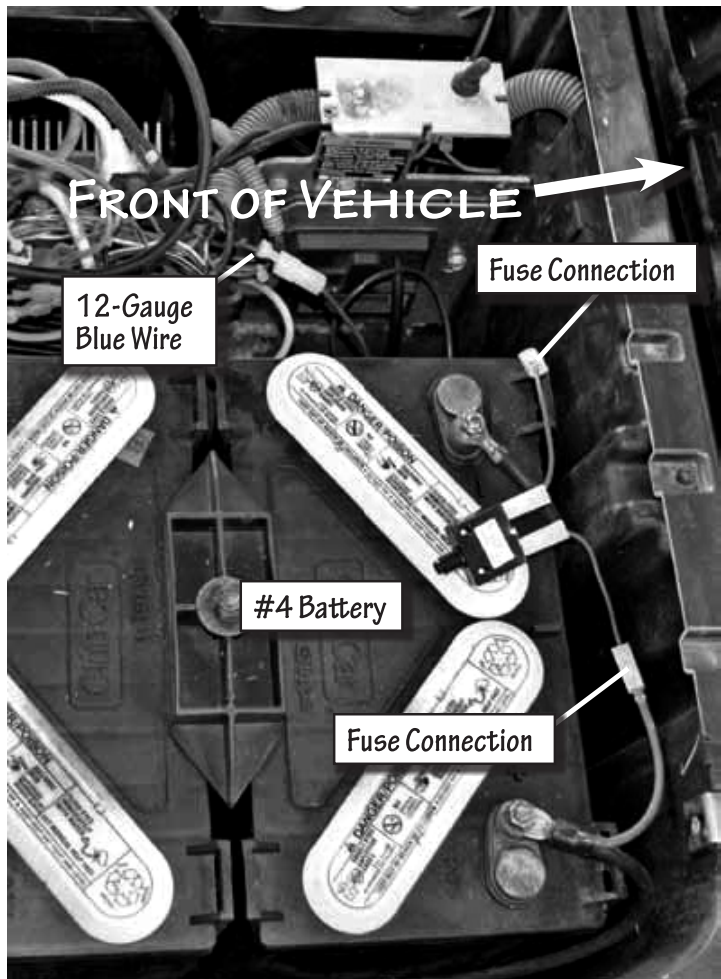
(FOR GAS VEHICLES, PLEASE SEE GAS HARNESS INSTALLATION INSTRUCTIONS.)

12 Volt Battery Installation (for vehicles without DC to DC converter)

1. Remove the seat bottom and the electronic component cover located between the batteries.
2. Locate the blue wire leading from the #4 battery positive connection and connect to the long lead of the fuse assembly.
3. Locate the single 12 gauge blue wire with a spade terminal leading from the passenger side of the electronic component area and connect the short lead leading from the fuse assembly.
4. Secure all loose wires.
5. Replace the electronic component cover and test the lights.

OPTIONAL 48 VOLT INSTALLATION (FOR VEHICLES WITH DC TO DC CONVERTER)

1. Separate the voltage reducer disconnects (Picture 1) in the light wire harness and install a 10 or 25 amp voltage reducer in the circuit. Mount the voltage reducer in the dash area or another area of your choice.
2. Remove the seat bottom and the electronic component cover located between the batteries from the cart.
3. Locate the blue wire leading from the #1 battery positive connection (Picture 4) and connect to the long lead of the fuse assembly.
4. Locate the single 12 gauge blue wire with a spade terminal coming from the passenger side of the electronic component area and connect the short lead coming from the fuse assembly.
5. Secure all Loose wires.
6. Install electronic component cover and test the lights.



### FOR VEHICLES WITH 48v DC TO 12v DC CONVERTER

Follow the instructions supplied with your converter then hook the blue wire with inline circuit breaker to the 12v + output on your converter.

Use a multi-meter to test voltage output before you hook up blue wire or bulb failure may occur.