



SIDE STEP BRACKETS

E-Z-GO® RXV®

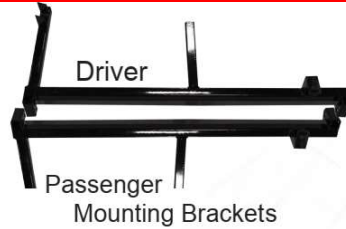
INSTALLATION INSTRUCTIONS

INCLUDED:

U-Bolts
Mounting Brackets
Hardware Pack
Side Steps

TOOLS NEEDED:

Cordless Drill
17mm Socket
17mm Wrench



NOTE:

Professional installation is recommended. If you choose not to have this product installed by a professional, we highly recommend that you exercise caution, care and patience when installing this product as it involves drilling holes into your cart's body.



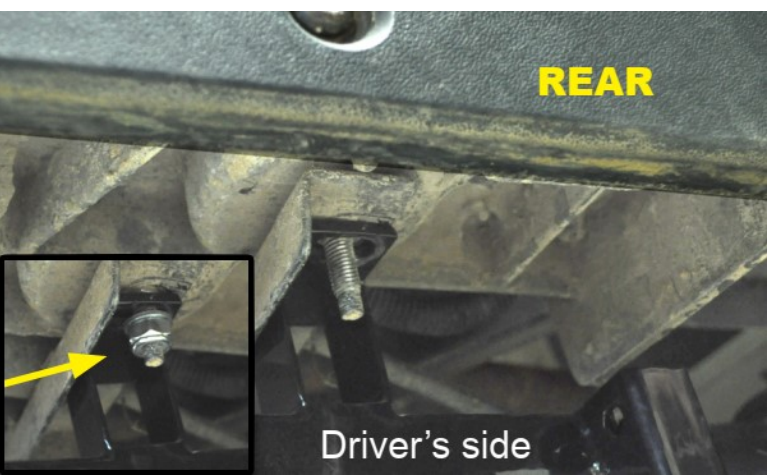
STEP 1

To begin, place supplied U-Bolt over front of frame as shown.



STEP 2

Slide bracket under frame using angled tabs on top of bracket as a guide. Hand tighten supplied 10mm hardware to hold bracket to U-Bolt.



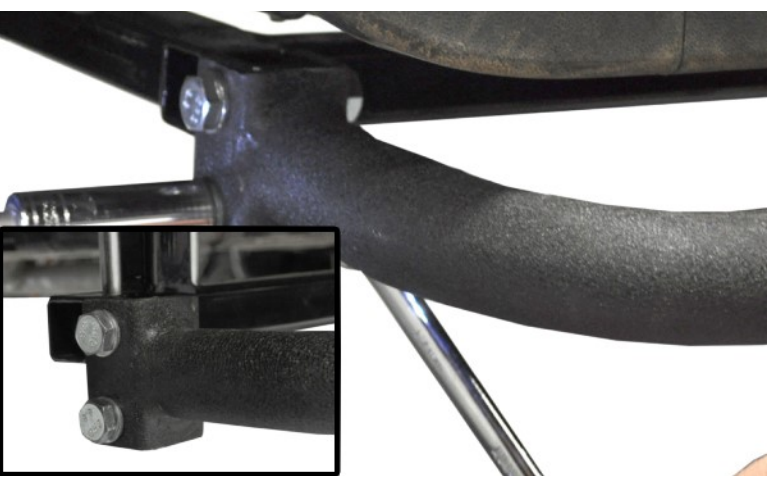
STEP 3

Slide rear bracket mount on to factory bolt located under battery box. Use supplied 10mm hardware and tighten with 17mm socket.



STEP 4

Using a 17mm socket, tighten hardware. Be sure the U-Bolt is tightened evenly.



STEP 5

Using the 10mm x 55mm hardware, attach the step to the bracket with 17mm socket and wrench. Once all 4 bolts are in place, tighten all. **Repeat steps 1-5 on the other side**

INSTALLATION COMPLETE

E-Z-GO®, E-Z-GO® TXT®, E-Z-GO® FREEDOM® TXT®, E-Z-GO® CUSHMAN® and E-Z-GO® RXV® are registered trademarks of Textron Innovations, Inc. Club Car®, Club Car® Precedent®, and Club Car® DS® are registered trademarks of Ingersoll Rand, Inc. Yamaha®, Yamaha® Drive®, G-14®, G-16®, G-19®, and G-22® are registered trademarks of Yamaha Golf-Car Company. Any reference to Club Car®, E-Z-GO®, or Yamaha® or their associated trademarks, word marks, or products are only for purposes of identifying golf carts with which this product is compatible. These products are aftermarket parts and are not original equipment parts. EXCALIBUR is not connected to, affiliated with, sponsored by, or endorsed by either Textron Innovations, Inc., Ingersoll Rand Inc., Yamaha Golf Cart Company or any of their parent or subsidiary companies.

HARDWARE PACK

2 – Square U-Bolts 10mm x 71mm x 117mm

8 – 10mm x 55mm Hex head bolts

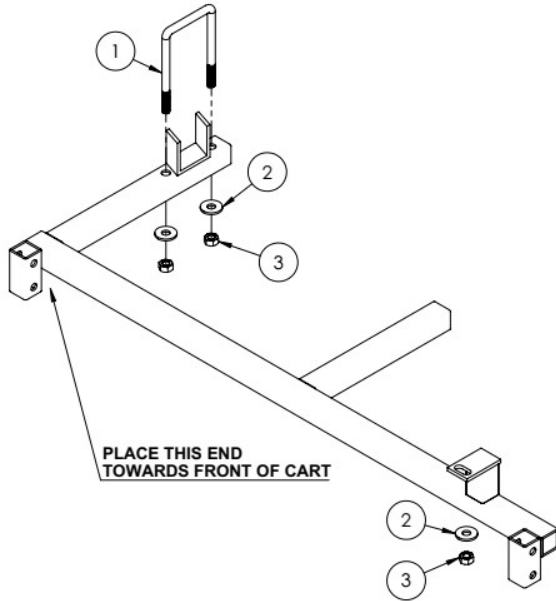
22 – 10mm flat washers

14 – 10mm lock nuts

14-007 - RXV NERF BAR BRACKETS (GOES w/ 14-001 MJFX ARMOR DROP DOWN SIDE STEP NERF BARS)

WARRANTY PARTS
EXPLODED VIEW DIAGRAM

DIAGRAM SHOWS DRIVER SIDE BRACKET
(PASSENGER SIDE BRACKET IS MIRROR IMAGE)



14-001 - MJFX ARMOR NERF BARS w/ DROP DOWN SIDE STEP (TEXTURED MATTE BLACK)

WARRANTY PARTS
EXPLODED VIEW DIAGRAM

DIAGRAM SHOWS DRIVER SIDE

