



SIDE STEP BRACKETS

E-Z-GO® TXT®

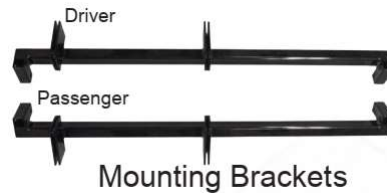
INSTALLATION INSTRUCTIONS

INCLUDED:

U-Bolts
Mounting Brackets
Hardware Pack
Side Steps

TOOLS NEEDED:

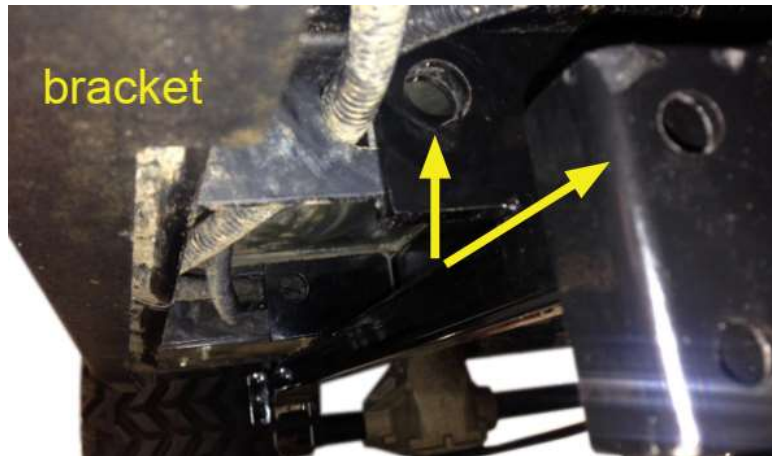
30mm Socket
Adjustable Wrench
Cordless Drill
13mm Socket
13mm Wrench
½" Drive Ratchet



NOTE:

Professional installation is recommended. If you choose not to have this product installed by a professional, we highly recommend that you exercise caution, care and patience when installing this product as it involves drilling holes into your cart's body.

bracket



STEP 1

Place bracket to frame as shown. Be sure to move any wiring harness to outer side of slotted hole in frame. Square tabs of mounting bracket should fit tightly into corners of frame.

NOTE: Side step mounting locations should be on outside of bracket.

STEP 2

Secure bracket in both mounting locations using 20mm hardware provided. Tighten bracket hardware.





STEP 3

Using the 10mm x 55mm hardware, attach the step to the bracket with 17mm socket and wrench. Once all 4 bolts are in place, tighten all.
Repeat steps 1-5 on the other side

INSTALLATION COMPLETE

E-Z-GO®, E-Z-GO® TXT®, E-Z-GO® FREEDOM® TXT®, E-Z-GO® CUSHMAN® and E-Z-GO® RXV® are registered trademarks of Textron Innovations, Inc. Club Car®, Club Car® Precedent®, and Club Car® DS® are registered trademarks of Ingersoll Rand, Inc. Yamaha®, Yamaha® Drive®, G-14®, G-16®, G-19®, and G-22® are registered trademarks of Yamaha Golf-Car Company. Any reference to Club Car®, E-Z-GO®, or Yamaha® or their associated trademarks, word marks, or products are only for purposes of identifying golf carts with which this product is compatible. These products are aftermarket parts and are not original equipment parts. EXCALIBUR is not connected to, affiliated with, sponsored by, or endorsed by either Textron Innovations, Inc., Ingersoll Rand Inc., Yamaha Golf Cart Company or any of their parent or subsidiary companies.

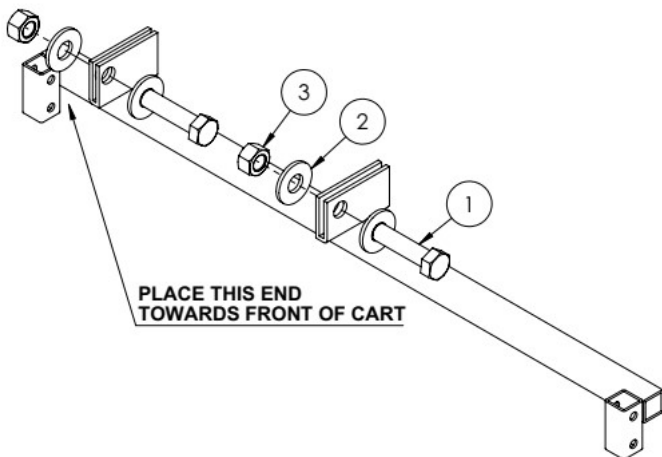
HARDWARE PACK

- 4 – 20mm x 40mm Hex Head Bolts
- 8 – 20mm Flat washers
- 4 – 20mm Lock nuts
- 8 – 10mm x 55mm Hex Head Bolts
- 16 – 10mm Flat Washers
- 8 – 10mm Lock nuts

14-006 - TXT NERF BAR BRACKETS (GOES w/ 14-001 MJFX ARMOR DROP DOWN SIDE STEP NERF B)

WARRANTY PARTS
 EXPLODED VIEW DIAGRAM

DIAGRAM SHOWS DRIVER SIDE BRACKET
 (PASSENGER SIDE BRACKET IS MIRROR IMAGE)



14-001 - MJFX ARMOR NERF BARS w/ DROP DOWN SIDE STEP (TEXTURED MATTE BLACK)

WARRANTY PARTS
 EXPLODED VIEW DIAGRAM

