

# Milo Bassinet

User Guide

**Second Rule of Parent Club:** always read your

# MANUAL

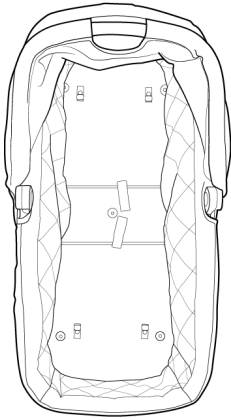


# Get Ready to Stroll!

## Parts Checklist

Please check that you have all of the below parts and accessories.

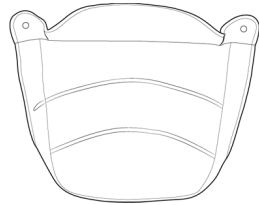
**1**



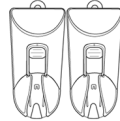
**2**



**3**



**4**



- 1** Bassinet Frame
- 2** Bassinet Mattress + Cover
- 3** Bassinet Cover
- 4** Bassinet Adaptors

# Tips to avoid tears

## Bassinet Safety Warnings

The Milo Bassinet is designed and tested to comply with AS/NZS 2088:2013.

Safety is a serious matter. Please read and follow the below warning notices as well as those included in your Milo stroller manual (on page 6) before assembly and use of your pram.

**Failure to do so could result in serious injury or even death.**

### General Safety

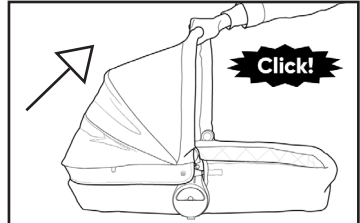
- Always follow the manufacturers instructions.
- This bassinet is approved for use with the Milly + Coup Milo frame only. Do not use with any other products. No other bassinets are approved for use with this pram.
- Remove the bassinet before folding.
- Do not lift the stroller by the bassinet.
- Only lift the bassinet by the carry handle when the canopy is locked in the upright position.
- Supervise your baby at all times.
- Not to be used for overnight sleeping.
- Do not add additional mattresses or padding inside the bassinet.
- Do not use or leave the bassinet near open fire or exposed flame.
- Never leave rain covers, hoods or blankets on or over the pram indoors, in a hot atmosphere or near a heat source. Always supervise whilst the pram is covered.
- Do not allow older children to play with or use this pram; it is not a toy.

### Maximum age and weight limits

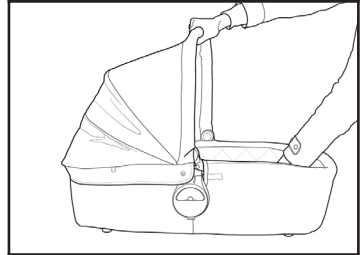
- Maximum weight limit for a baby in this bassinet is 9kg.
- Do not use the bassinet once the child can sit up (generally around 4-6 months, however, will be different for every child).

# Setting up your Bassinet

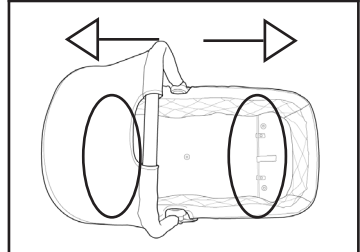
+ Lift the bassinet canopy up until it clicks into place.



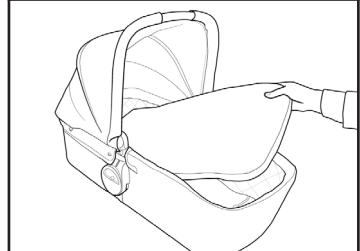
+ Press down on the bassinet base whilst pulling up on the canopy by the canopy handle to erect the bassinet.



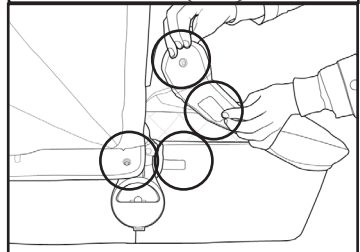
+ Using the fabric straps, pull the frame support rods towards the ends of the bassinet until they lock under the 4 plastic clips. Tip: if they don't insert easily simply lift the clip up to help guide the rods into place.



+ Insert the bassinet mattress. Tip: many parents like to wrap their mattress in a muslin cloth or similar to make cleaning easier.



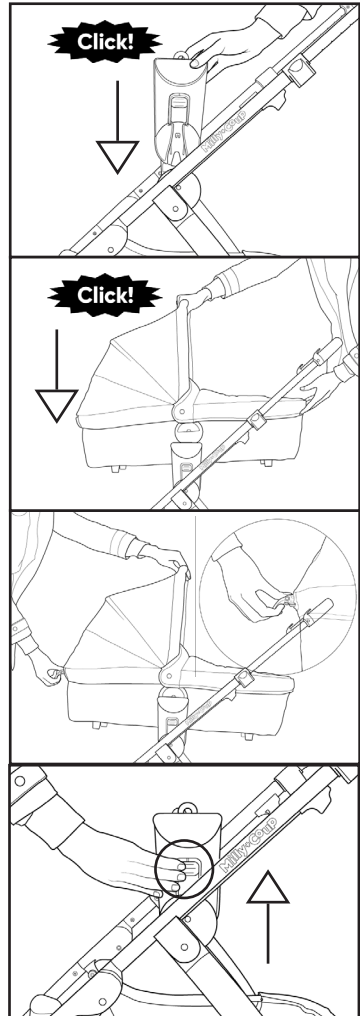
+ Attach the bassinet cover using the Velcro and press studs on each side.



# Attaching + Removing the Bassinet

For safety reasons, we recommend removing your baby prior to attaching or removing your bassinet.

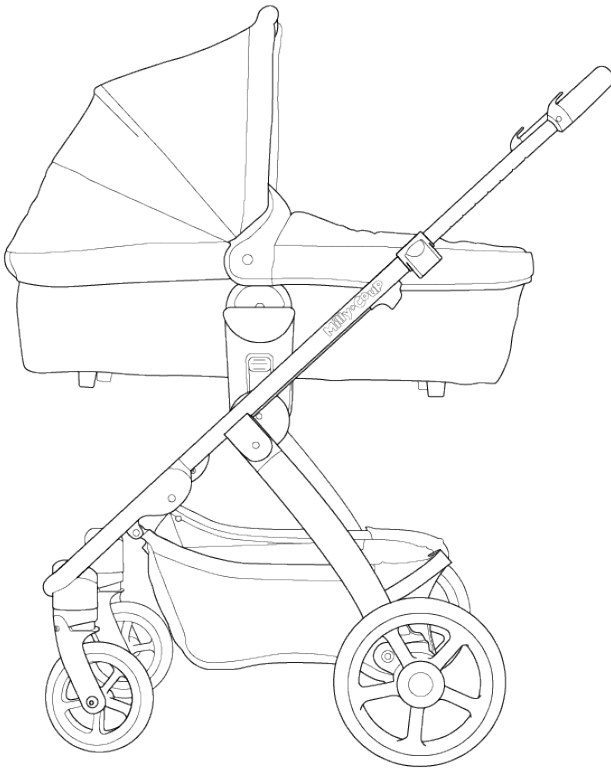
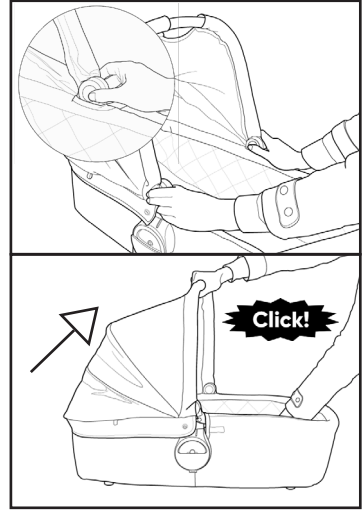
- + Ensure the brake is engaged.  
Attach the bassinet adaptors.
- + Hover the bassinet over the bassinet adaptors and push down until you hear a click. Pull up on the canopy handle to ensure the bassinet has securely locked into place.
- + To remove the bassinet, lift the release lever at the back of the canopy all the way up and use the handle to lift the bassinet up and off the frame.
- + To remove the bassinet adaptors simply press the buttons in the middle of the adaptors and lift up.



# Using your Milo Bassinet

+ To adjust the canopy, press the two buttons on the inside sides and lower the canopy to the desired position (note: there are 2 canopy positions).

+ To raise the canopy simply lift it back up; no need to push the buttons.



Ready to rock + stroll!

## **Contact Milly + Coup**

[au.support@millyandcoup.com](mailto:au.support@millyandcoup.com)

[nz.support@millyandcoup.com](mailto:nz.support@millyandcoup.com)



Milly and Coup



@millyandcoup

Model: 2020 Milo Bassinet

Version: 1 – July 2020

Information subject to change.

Please see website for current version.

**[millyandcoup.com](http://millyandcoup.com)**