

# Continuum<sup>®</sup> Pedicure Spas

## OWNER'S MANUAL

### Simplicity SE<sup>®</sup> / Simplicity LE<sup>®</sup>



Continuum Footspas, LLC P.O. Box 363 Brookfield, WI 53008  
Toll Free: 1.877.255.3030 Telephone: 262.754.4900 Fax: 262.754.4901 [MyContinuumPedicure.com](http://MyContinuumPedicure.com)



# IMPORTANT - PLEASE NOTE!

**The Simplicity Model** is the combination of Continuum's portable model, **The Pedicute**, together with a curved arch and one of two different chair options. As a result of this integration, The Pedicute, when installed on a simplicity metal frame, is no longer a portable unit.

**The Simplicity SE** features a four (4) motor Vibra-Massage + Heat system. All four (4) Vibra-Massage motors are located in the lumbar area. All motors and heating pad are controlled by a separate hand-held control wand.

**The Simplicity LE** chair features a Full Function Shiatsu Massage system. Dual manicure trays with cup holders are standard on the LE chair, optional on the SE chair. Both SE and LE chairs utilize a hand-held control wand that moves the chair forward/backward and recline electronically.

## Introduction

The entire team at Continuum® Footspas sincerely thanks you for choosing a Simplicity Pedicure Chair. We fully realize you had a choice and we look forward to making absolutely sure you made the right choice. A tremendous amount of time and energy has gone into designing and manufacturing not only a beautiful looking pedicure chair, but a pedicure chair that will perform trouble free for many years.

**Please take a moment to read this entire Owner's Manual before installation and use.**

### **SAVE THESE INSTRUCTIONS**

**NOTE:** This Owner's Manual covers both Simplicity models. Unless otherwise noted, the model "Simplicity" refers to either the Simplicity LE or Simplicity SE Models.

If you have any questions, concerns or problems, please feel free to call us at 1 877 255 3030.

## Very Important Safety Instructions

- Maximum weight capacity of a Simplicity Pedicure Chair is 350 pounds.
- Never bring or operate any electrical device in or near a Simplicity.
- Always enter and exit a Simplicity very slowly and carefully.
- Never stand in the basin.
- Avoid excessive water temperatures. This can be dangerous and water temperature must be checked before each use.
- Maximum operational water temperature should **never** exceed 105° F (41° C)

# Continuum Footspas Limited Warranty

Continuum Footspas has designed and manufactured their pedicure chairs to the highest standards. Accordingly, Continuum Footspas expressly warrants their pedicure chairs as follows:

To the original owner of our pedicure chairs, Continuum Footspas may repair or replace, at its option, any pedicure chairs found to be defective in material or workmanship upon inspection by a factory authorized representative of Continuum Footspas.

This limited warranty covers the following:

This Limited Warranty covers parts and components. It also covers all Continuum Models for a period of one (1) year from date of shipment except as noted below:

- **Maestro Model:** Two (2) years from Date Of Shipment (DOS).
- **Maestro Solid Surface Basin:** Five (5) years from DOS.
- **LE Chair Only:** Two (2) years from DOS.
- **Fiberglass Basin:** Two (2) years from DOS.
- **Shipping Costs Associated with Warranty Parts:** One (1) year from date of shipment. Continuum will cover normal domestic shipping costs. Expedited and/or International shipping will incur additional charges
- **Labor - All Models Except as Noted below:** One (1) year from the date of shipment. Continuum Footspas will cover reasonable labor costs associated with the installation of replacement parts found to be defective in material or workmanship upon inspection by a factory authorized representative of Continuum Footspas. **NOTE EXCEPTIONS BELOW. No labor costs or replacement parts will be covered under this Limited Warranty, if at the sole discretion of Continuum Footspas, it is determined a failure was caused by negligence, accident or improper use, improper installation or lack of proper maintenance as outlined in the Owner's Manual.**
- **Solid Surface Echo Basin:** Five (5) years from DOS.
- **Vibra-Massage + Heat System:** Two (2) years from DOS.
- **Replacement Parts (Non-Warranted):** Ninety (90) days from DOS.
- **Accessories:** Ninety (90) days from DOS.

The exchange of a pedicure chair is limited to supplying a replacement pedicure chair of equal style. Owner is responsible for all labor and shipping costs necessary to replace a pedicure chair.

**NO CONSEQUENTIAL, INCIDENTAL, CONTINGENT, INDIRECT, SPECIAL OR OTHER DAMAGES WILL BE ALLOWED WHATSOEVER.** This limited warranty is null and void if the pedicure chair is removed from its original installation, or is not installed in accordance with specifications of Continuum Footspas, or national, state or local codes, regulations and ordinances. Furthermore, this Limited Warranty is null and void if the pedicure chair is subjected to improper installation or maintenance, negligence, improper cleaning or any other circumstances beyond Continuum Footspas control. In order for your Limited Warranty to be valid, your pedicure chair must be installed by a licensed professional in accordance with Continuum Footspas installation instructions.

## EXCLUDED FROM LIMITED WARRANTY:

- 1) Unauthorized repairs.
- 2) Damage due to freight, accident, natural disaster and/or abuse.
- 3) Staining, fading or discolorization of the seat, seat back, armrests, leg supports and footrests.
- 4) Damage or malfunctions due to improper installation including but not limited to, failure to comply with all national, state and local plumbing, electrical and building codes.
- 5) Fading, discoloration or staining of any part due to improper water additives, hard water or harmful cleaning agents or chemicals.
- 6) Damage to drain pump due to obstruction in drain hose and/or debris in pump impeller housing.

## Parts and/or circumstances for which Labor is NOT COVERED - Parts Noted Below Are Simple to Replace and DO NOT Require a Service Technician.

- Jet Cover and/or Impeller
- Footrest/Leg Supports
- On/Off Air Actuated Button
- Pedicute Model
- Replacement of black plastic parts
- Faucet Cartridge and/or Filler-Sprayer
- Roller Massage or Vibra-Massage + Heat System
- Any LED Light
- Any International Shipments including but not limited to Canada and Mexico
- Handheld Control Wands
- Manicure Trays
- Replacement Upholstery

*For service or information regarding this limited warranty, please contact.*

Continuum Footspas, LLC • P.O. Box 363 Brookfield, WI 53008

Toll Free: 1 877 255 3030 • Telephone: 262 754 4900 • Service: 262 777 2248 • Fax: 262 754 4901 • MyContinuumPedicure.com

This Limited Warranty is to the original owner and is not transferable. The original owner agrees by using Continuum pedicure chairs the obligation of Continuum Footspas shall not extend to indirect or contingent damages or injury. Furthermore, the obligations of Continuum Footspas are limited to those set forth herein. This limited warranty is the exclusive remedy and is in lieu of all other warranties, express or limited, including, but not limited to, any implied warranty of fitness or merchantability for a particular purpose. No distributor, dealer or other person has the right or authority to bind Continuum Footspas to changes to this limited warranty. Consequently, Continuum Footspas is not responsible for such warranties or representations.

## ADDITIONAL PROVISIONS

- Any assistance Continuum Footspas provides to the original owner above and beyond the scope of this limited warranty does not constitute a waiver of such terms, limitations or exclusions. Furthermore, such assistance does not extend this Limited Warranty.
- Continuum Footspas shall not be liable for any other obligations or liabilities as a result of breach of contract of warranty, negligence or strict liability with regards to their pedicure chairs.
- This Limited Warranty applies only to pedicure chairs installed in any one of the fifty (50) States of the United States, the District of Columbia or provinces of Canada.

# IMPORTANT SAFETY INSTRUCTIONS

*Read all instructions before using a Simplicity Pedicure Chair.*

*When using an electrical appliance, basic precautions should always be followed, including the following:*

## DANGER

### To reduce the risk of electric shock:

- 1) Do not reach for an appliance that has fallen into water. Unplug immediately.

## WARNING

### To reduce the risk of burns, electric shock, or injury:

- 1) Simplicity pedicure chairs should never be left unattended during operating.
- 2) Simplicity pedicure chairs should not be used by, or near, children or individuals with certain disabilities.
- 3) Use these pedicure chairs only for their intended use as described in this manual.  
Do not use any attachments.
- 4) Never operate these pedicure chairs if they have a damaged cord or plug.
- 5) Never drop or insert any object into any opening.
- 6) To disconnect, turn all controls to the OFF position, then remove plug from the outlet.
- 7) Do not use outdoors.
- 8) Do not operate where aerosol (spray) products are being used or where oxygen is administered.
- 9) Do not attempt to plug or unplug unit while feet or other body parts are in the water.
- 10) **DO NOT STAND ON OR IN THE FOOT MASSAGER (PEDICUTE™). USE ONLY WHILE SEATED. PLACE FEET IN MASSAGER AND REMOVE FEET FROM MASSAGER ONLY WHILE IN A SEATED POSITION.**
- 11) Use heated surface carefully as it may cause serious burns. If utilizing heating surface only, (dry massage) one **MUST** use the lowest heat setting **ONLY**. Do not use on over sensitive areas or in the presence of poor circulation. The unattended use of heat by children or incapacitated persons may be dangerous.
- 12) DO NOT use a cracked, leaking or otherwise damaged tub with the heating/vibrating unit.
- 13) Simplicity pedicure chairs are designed for professional use only.

**SAVE THESE INSTRUCTIONS**

# MASSAGE AND HEATING CONTROLS

## Touchpad controls combine custom settings:

- 1) ON/OFF (OFF will turn unit off and reset previous setting).
- 2) Vibration and Heat (combinations Hi and Low Heat and Vibration).
- 3) **Heat Only**
  - a. Press heat button one time LOW. (Low heater light lit).
  - b. Press heat button two times HIGH. (Hi heater light lit).
  - c. Press heat button three times for POWER HEAT. (Both heater lights lit).
  - d. Press heat button four times to turn heat OFF.
- 4) **Massage Only**
  - a. Press vibration button one time LOW. (Low vibrating light lit).
  - b. Press vibration button two times HIGH. (Hi vibrating light lit).
  - c. Press three times for POWER MASSAGE (both vibrating lights lit). Power Massage setting is not recommended for use with the Pedicute tub. Power Massage setting may cause water to splash.
  - d. Press four times to turn vibration OFF.

Heater/Massager has automatic shut off (standby) feature. The massage will shut off after 35 minutes. The heat will shut off after 70 minutes. Simply push either the Heat or Massage button to restart the settings. **ALWAYS TURN UNIT OFF AFTER USE.**

## **IMPORTANT NOTE REGARDING CHAIR POSITION AND INSERTING/REMOVING TUB**

In order to safely and easily remove and replace the tub when filled with water, the chair **MUST** be positioned **as far back as possible.**

**This is very important and absolutely necessary to ensure ease of tub insertion and removal without spilling water.**

# OPERATING INSTRUCTIONS

To reduce the risk of electric shock, a Simplicity™ has a grounded plug. This plug will fit into a grounded outlet. If it does not fit, contact a qualified electrician to install a proper outlet. **DO NOT CHANGE THE PLUG IN ANYWAY.**

## CAUTIONS

*A Simplicity pedicure chair should not be used if the following cases are present:*

*Tuberculosis, Benign and Malignant Tumors, Hemorrhages, Inflammations of the Skin, Phlebitis or Thrombosis, Open or Fresh Wounds, Bruises, Broken Skin or Varicose Veins, Undetermined Calf Pain, or Joint Pain.*

- Consult a physician if you have any questions regarding therapeutic use of this product.
- Consult a physician before using if clients are experiencing unexplained pain, swollen muscles, or if they have recently sustained a serious muscular injury.
- Keep away from children.
- Discontinue use of massager/heater if pain increases or swelling occurs after application.
- If clients are pregnant, please consult a physician before using.

## IMPORTANT NOTICE

In order for a Simplicity to function properly it must operate at room temperature (at least 65°F). If for any reason it is not at room temperature and one tries to activate the basin heater, the heating lights will continually blink. This is normal and once the unit is at room temperature the basin heater will function normally.

## USER/MAINTENANCE INSTRUCTIONS

*A Simplicity massaging/heating platform is designed for use in a professional salon environment ONLY with The Pedicute tub or as dry heated foot massager.*

- 1) Make sure massager/heater is in OFF position.
- 2) Fill tub with warm water and place Pedicute tub on top of the massager and plug massager into wall outlet. Never plug or unplug the massager/heater while client's feet are in the water. To eliminate splashing, do not fill tub with more than 1 and 1/2 gallons of water (approximately 2.5 inches deep). Do not fill Pedicute tub to capacity.
- 3) **THE HEAT SETTING MAINTAINS THE TEMPERATURE OF WARM WATER, IT DOES NOT HEAT COLD OR ROOM TEMPERATURE WATER.**
- 4) **NEVER STAND IN THE TUB OF A SIMPLICITY PEDICURE CHAIR.**
- 5) Turn Pedicute massager heater on by pressing the ON/OFF button and select setting on the touchpad located on the unit.
- 6) Select one or a combination of the settings below:
  - Vibration and Heat (combination High/Low of Vibration and Heat)
  - Heat High/Low (Heat only)
  - Vibration High/Low (Vibration only)
- 7) To turn off, simply press the OFF button on the touch pad.
- 8) To select heat High/Low/Off press the heat button one, two, or three times.
- 9) To select Vibration High/Low/Off press Vibration button one, two, three or four times (for power massage).
- 10) Pedicute massager/heater can also be used as a dry foot massager when used without water.  
**Attention: Use heat on low setting for dry use (without Pedicute Tub) to prevent burning.**
- 11) To clean massager/heater, wipe with a damp cloth (Never submerge unit in water). Do not use any strong chemical cleaners such as benzene or acetone.
- 12) Never reuse a plastic liner. Use a new liner for each and every customer.
- 13) **CHECK WITH YOUR STATE BOARD FOR SPECIFIC CLEANING AND/OR SANITIZING REQUIREMENTS.**

## SAVE THESE INSTRUCTIONS

### **WARNING!!! Possible Health Risks**

**If your client experiences any pain or discomfort while using a Simplicity Pedicure Chair, discontinue use immediately.**

Clients whose feet or legs are inflamed for any reason or clients who have open wounds should **never** be allowed to use a Simplicity Pedicure Chair. If there is any sign of fungal infection, fracture, swelling or persistent pain, clients should consult their physician before using a Simplicity Pedicure Chair. Diabetics should always consult their physician prior to receiving a pedicure.

#### **Electrical Service**

A separate, 120V, 60HZ, 15 amp GFCI protected grounded circuit **MUST** be used to supply power to each Simplicity Pedicure Chair. Failure to do so renders the Limited Warranty null and void.

**NOTE: IF INSTALLED IN CANADA THIS UNIT MUST BE IN ACCORDANCE WITH THE CANADIAN ELECTRICAL CODE, PART 1.**

### **Grounding and GFCI Requirements**

**WARNING** - When using electrical products, basic precautions should always be followed, including the following:

- 1. DANGER: RISK OF ELECTRIC SHOCK.** Connect **ONLY** to a circuit protected by a ground-fault circuit-interrupter (GFCI).
- 2. GROUNDING IS REQUIRED.** These pedicure units **MUST** be installed by a qualified service representative and **MUST** be properly grounded. Also, the designated outlet **MUST** be grounded. **DO NOT IN ANY WAY MODIFY THE PLUG PROVIDED ON SIMPLICITY PEDICURE CHAIR. NEVER USE A NON-GROUNDED ADAPTER WITH THE SIMPLICITY PEDICURE CHAIR.**

#### **WARNING:**

**TO REDUCE THE RISK OF BURNS, ELECTRIC SHOCK, FIRE OR INJURY TO PERSONS:**

- All servicing of Simplicity pedicure chairs must be performed by authorized service personnel only.
- DO NOT operate Simplicity pedicure chairs if they have a damaged cord or plug.
- DO NOT use outdoors.

# Unpacking

**A Simplicity Pedicure Chair requires very little assembly.  
Remove and discard all packing and lifting materials**

## Installation Instructions

### Important

For safety purposes, a Simplicity Pedicure Chair **MUST** be anchored to the floor.  
There are two (2) supplied mounting brackets.

#### **Installation Instructions:**

##### **Step 1**

Utilizing a level, carefully adjust the four (4) leveling feet. It is extremely important that a Simplicity Pedicure Chair is level. (Note: All leveling feet have been factory adjusted prior to shipment. In most cases no further adjustment should be necessary).

##### **Step 2**

Mounting brackets are to be used on only two (2) of the four (4) main frame leveling feet. Slotted portion of the mounting bracket fits between frame and the leveling foot (one in front, one in back, opposite of each other). The portion with the holes should be positioned to the floor. Use appropriate hardware to secure to floor (not supplied).

### Location and Support

The floor structure must be level and capable of supporting the occupied pedicure chair.

**PLEASE NOTE A SIMPLICITY PEDICURE CHAIR MUST BE INSTALLED AT LEAST ELEVEN (11) INCHES AWAY FROM A BACK WALL TO ENSURE PROPER CLEARANCE FOR RECLINING SEAT BACK.** Refer to installation drawings at [MyContinuumPedicure.com](http://MyContinuumPedicure.com).



# LE and SE CHAIRS

## ASSEMBLY INSTRUCTIONS

**Step #1)** The back portion of the LE, VE or SE chair is shipped facing down. The backs are held in place during shipping by four (4) plastic ties. Cut all plastic ties and gently move the chair into an upright position, making sure the back remains located in the pivot grooves.



LE Chair

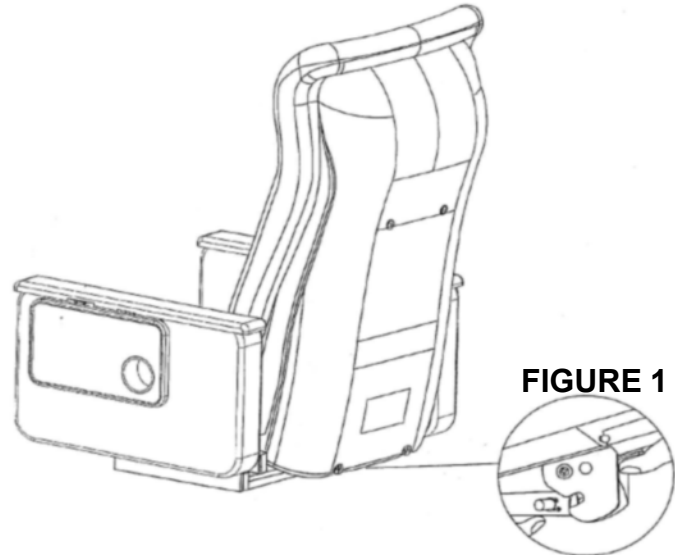


FIGURE 1

**Step #2)** Once the chair back is in an upright position, locate the latch at the bottom of the back. (See Figure 1) This latch connects the chair back to the seat base. Located under the seat base is an actuator with a short, steel connecting pin. (See Figure 2) In order to engage this pin and latch, this pin **MUST** remain in a perfectly horizontal position. (See Figure 2 once again) This is very important as it will be impossible to engage the latch and pin if the pin is not in a horizontal position. Gently move the chair back until the pin engages into the latch. Since the latch utilizes a spring, you will hear a click when they are properly connected.



FIGURE 2 (LE or SE Version)

**If it ever becomes necessary to disconnect the chair back from the seat base, simply press the lever on the latch to disconnect.**

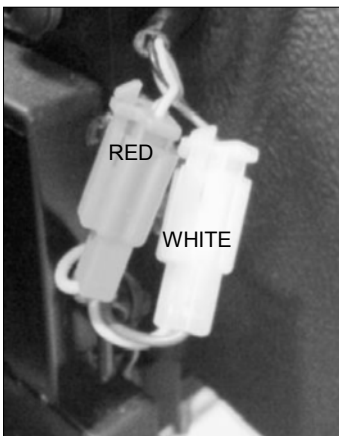


FIGURE 3

**Step #3)** Plug the two (2) wire connectors together (LE version only). They are located near the back of the chair. Connect both white connectors together and both red connectors together. (See Figure 3)

**Step #4)** Locate seat bottom cushion. Place it on the seat base making sure it's as far back as possible and even from side to side. This seat cushion is held in place with Velcro. There should be no visible gaps between the seat cushion and the back cushion.

### Important Notes (LE & VE Version Only):

- Do not discard the extra chair fuses in the plastic bag. They are replacements if needed.
- To raise manicure trays, simply move them to a horizontal position until you hear a click that locks the tray in place. To lower trays, press up on the lever located at the end of the support bracket and at the same time; gently push the tray upward to disengage the latch.

### Important Notes (LE Version Only):

- To increase overall intensity of massage, simply unzip the seat back cushion and remove the 1" thick foam insert between the rolling mechanism and the cushion. The foam insert is held in place with Velcro.
- Re-position client with the tech button located on the front area by the footrest.



**SE Chair**

The SE Chair features a four (4) motor Vibra-Massage + Heat system. All four motors are located in the lower to middle back of the chair. The heating pad is located in the lumbar back area. It is accessible by unzipping the zipper located on the side of the chair. This allows for removal of the upholstered chair cover and access to the four (4) motor plus heating pad. All motors and heating pad are controlled with a hand-held control wand.

Note: Operating instructions below.

### **Operating Instructions for massage system:**

**Massage:** Press POWER or either ZONE key to turn massage ON. Press again to turn massage OFF.

**Timer:** Press and hold POWER key to change timer from 15 to 30 min. (Green light indicates 15 min. Amber light indicates 20 min. Red light indicates 30 min.)

**Zone:** Press Zone 1 or 2 keys to turn either zone ON or OFF.

**Wave / Steady / Pulse:** Press Wave, Steady or Pulse keys to choose massage type

**Intensity +/-:** Press + or - keys to increase or decrease massage intensity

**Speed +/-:** Press + or - keys to increase or decrease the massage speed (PULSE and WAVE modes only)

**Heat:** Press HEAT key to run heat ON high (Red light). Press again to turn heat OFF. Press and hold HEAT key to turn heat to MED setting (Amber light) and LO setting (Green light).

**Note:** Only use the power supply furnished with the unit.

## Care and Maintenance

### Cleaning and Disinfecting Products

If your State Board requires disinfecting of the pedicure tub, Continuum STRONGLY recommends “**Splish Splash One-Step Disinfectant.**” The following page outlines product benefits for all pedicure chairs together with contact information.

While other EPA registered products are available for maintaining pedicure tubs, we have found Splish Splash to be the most effective, multi-purpose and economical product on the market. Moreover, unlike other products, **IT DOES NOT DAMAGE** the beautiful wood finish on your Simplicity pedicure chair.

A great deal of effort has gone into assuring the wood finish on your Simplicity pedicure chair is chemical and water resistant. Use of other brands of cleaning and disinfecting solutions may damage the wood finish and void the Limited Warranty.

### Wood Surfaces

Maintaining the beautiful wood finish of your Simplicity pedicure chair is easy. Simply clean and polish with any good quality liquid or paste wax polish on a regular basis. While the wood finish is extremely durable and water resistant, it is advisable to wipe dry any water that may splash onto the wood. By doing so, one minimizes the occurrence of water spots as well. If by chance the wood becomes scratched, simply use any light to medium cherry touch up stain. These touch up “pens” are readily available at most hardware stores.

### Upholstery

Simply use a mild detergent with warm water and gently clean any dirt or grime that may appear on the seat, seat back or arms. The leather-like material is very durable and with reasonable care should look like new for many years.

### Leg Supports

A mild detergent and warm water is all that is needed to clean the padded leg supports. However care should be taken to prevent nail polish or acetone from coming in contact with the leg supports. These products may damage or discolor the outer “skin” of the foam.

In spite of taking necessary precautions to protect the leg supports, hard water and/or certain products may cause the black footrests to develop a white film or some discoloration. If this occurs, a product called “Black Max”-Vinyl and Rubber Dressing works well to restore the leg supports. Black Max can be purchased at most hardware stores or online.

**NOTE: NEVER USE ABRASIVE SCOURING PADS ON THE THREE (3) FOOTRESTS PADS LOCATED IN FRONT OF THE SIMPLICITY PEDICURE TUB.**

### Full Function Shiatsu Massage Chair (LE Chair)

The massage mechanism installed in the LE Chair requires little maintenance. However, because it is a “Full Function” massage chair there are many more parts that may need lubrication and/or service eventually. If the mechanism becomes excessively noisy, a very little light grease may be applied to the tracks. The massage mechanism may be accessed by simply unzipping the back cushion.

**CAUTION!** Make sure grease does not come in contact with rubber pulley belts as they will become slippery and fails.

### **NOTE: VERY IMPORTANT!**

The LE Chair uses a rather complex rolling and kneading mechanism. Under normal use, these rolling and kneading mechanisms may cause the foam and protective fabric to wear thin. This is perfectly normal. However, to prevent serious damage to the mechanism, one must check for normal wear and tear at least every (6) six months. If foam and/or fabric is wearing thin, immediately contact Continuum Footspas for replacements.



# One-Step Disinfectant

EPA APPROVED AND LICENSED IN ALL 50 STATES!



Introducing:

## Splish Splash One-Step Disinfectant

Clean and disinfect your salon with just one product!

### PEDICURE SPA

For Pedicure Spas and Tubs, add 1 Fl. Oz. of Splish Splash One-Step Disinfectant for every gallon of water. Let water circulate for 10 minutes. Drain and rinse with clean water.

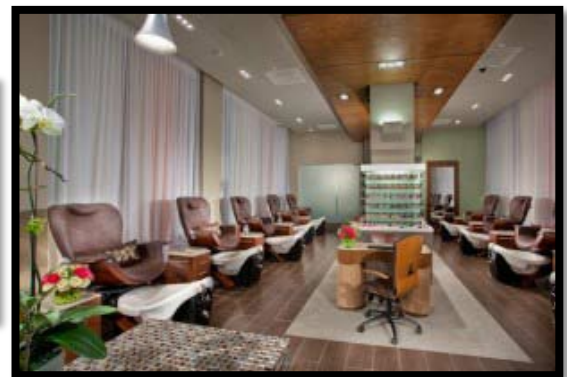


### TOOL DISINFECTION

For tool disinfection, mix 1 Fl. Oz. of Splish Splash One-Step Disinfectant in one gallon of water. Let tools soak for 10 minutes. Remove tools from solution. Rinse and dry.

### HARD SURFACES

For hard non-porous surfaces throughout salon, including manicure stations and countertops, dilute 1 Fl. Oz. of Splish Splash One-Step Disinfectant in one gallon of water. For a spray bottle, dilute ¼ Fl. Oz. in 32 Oz. of water. Sponge or spray on, wait 10 minutes and wipe dry.



### PLASTIC INSTRUMENTS

For plastic instruments, mix 1 Fl. Oz. of Splish Splash One-Step Disinfectant in one gallon of water and fill your sterilization jars. Plastic instruments may remain immersed until ready for use.

Additional Uses: To disinfect and sanitize tanning beds and towels.

**Splish Splash One-Step Disinfectant- the economical way to meet all your salon's disinfectant needs.**

Please read Splish Splash One-Step Disinfectant label for complete usage instructions.

[www.splishsplashcleaners.com](http://www.splishsplashcleaners.com) - (847) 438-0800