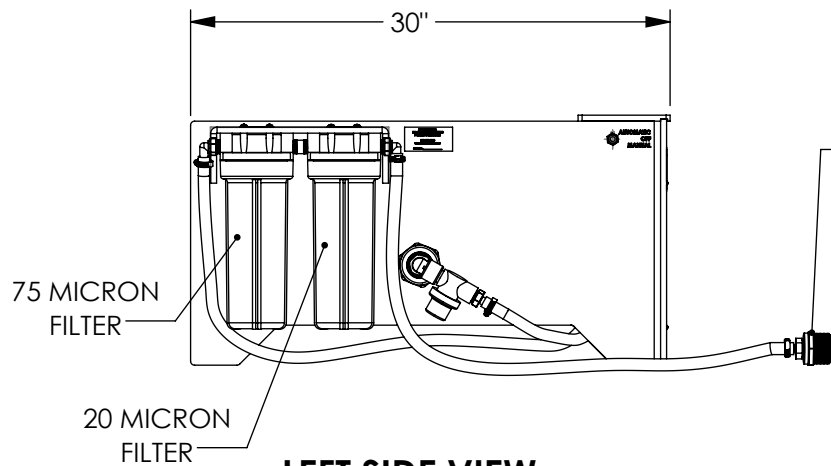
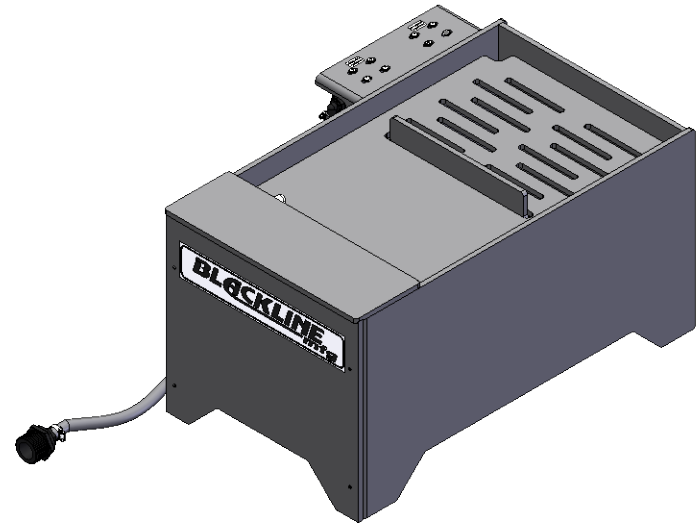
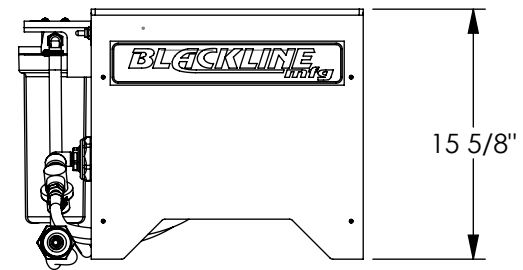


**TOP VIEW**



**LEFT SIDE VIEW**

1 1/2" ADAPTER CONNECTS TO BUILDING PLUMBING



**FRONT VIEW**

**BLACKLINE MFG / MTECH, INC.**

COMMENTS:

**PROPRIETARY AND CONFIDENTIAL**

THE INFORMATION CONTAINED IN THIS DRAWING IS THE SOLE PROPERTY OF BLACKLINE MFG. / MTECH, INC. ANY REPRODUCTION IN PART OR AS A WHOLE WITHOUT THE WRITTEN PERMISSION OF BLACKLINE MFG. / MTECH, INC. IS PROHIBITED.

DIMENSIONS ARE IN INCHES

TOLERANCES: ± 1/8"

MATERIAL: COPOLYMER

FINISH: BLACK

DO NOT SCALE DRAWING

NAME:	DATE:
DRAWN BY: rgardenhire	8/17/2016

**PART DESCRIPTION:**

Filter One HP

PART NUMBER:  
**FILTER ONE HP**

SCALE:1:12 WEIGHT:

REV.

SHEET 1 OF 1