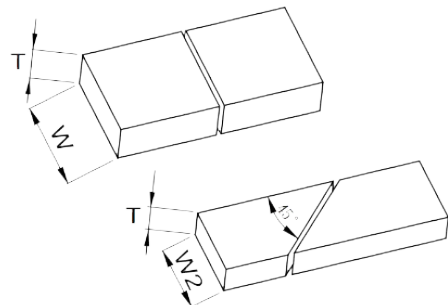




# PCM-508

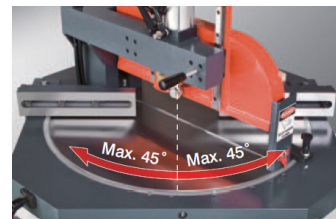
PNEUMATIC CUT-OFF SAW WITH ROTARY TABLE



T (Thickness)		W2 (45° Bevel)	
mm	inch	mm	inch
25 mm	0.98"	200 mm	7.87"
50 mm	1.97"	190 mm	7.48"
75 mm	2.95"	175 mm	6.90"
100 mm	3.94"	100 mm	3.93"
125 mm	4.92"	125 mm	4.92"
150 mm	5.9"	85 mm	3.35"

## FEATURES

- Designed for High speed, accuracy and production
- Specially designed rotary table allows angular cutting quick and easy
- The clamping mechanism is mounted with linear guide ways
- The rotary table can be swiveled to right and left with 45° (Max. 60°) angle. This allows for angular cutting.
- The table is equipped with a lock pin, allowing the table to fast lock position at 45° (60°).
- Table surface is precision ground.
- The clamping mechanism is driven by an air cylinder in combination with the use of linear guide ways, which ensure fast and smooth clamping motions.
- Infeed and outfeed fence surfaces are precision ground.
- Equipped with an anti-bump rubber stop to prevent serious bumping of clamp.
- Available in 230 / 460 / 575 V electrics



## SPECIFICATIONS

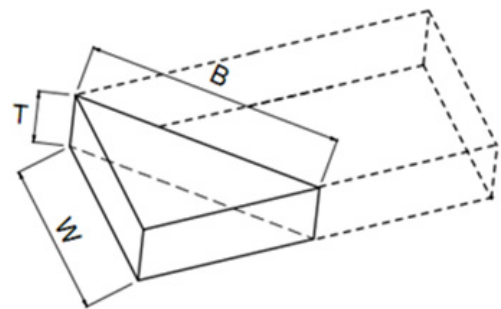
Cutting capacity (Thickness x Width)	+45° (60°) ~ 0° ~ -45° (60°)
Cycle speed	30~45 cuts/min
Saw blade size (optional)	20"
Saw arbor diameter	1"
Saw blade speed	3100 rpm
Dust exhaust diameter	Ø4" x (2)
Motor	7.5 HP
Table size	36.2" x 24.8" (920 x 630 mm)
Net weight	1190 lbs (540 kg)
Gross weight	1455 lbs (660 kg)
Packing dimensions (L x W x H)	50.4" x 43.3" x 63" (1280 x 1100 x 1600 mm)





# PCM-610

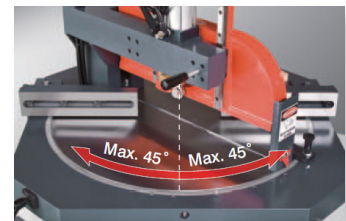
PNEUMATIC CUT-OFF SAW WITH ROTARY TABLE



T (Thickness)		W (Width)		B (45° Bevel)	
mm	inch	mm	inch	mm	inch
25 mm	0.98"	380 mm	14.96"	540 mm	21.26"
50 mm	1.97"	370 mm	14.57"	530 mm	20.87"
75 mm	2.95"	350 mm	13.78"	500 mm	19.69"
100 mm	3.94"	340 mm	13.39"	470 mm	18.50"
125 mm	4.92"	300 mm	11.81"	420 mm	16.54"
150 mm	5.9"	260 mm	10.24"	370 mm	14.57"
175 mm	6.89"	200 mm	7.87"	280 mm	11.02"
200 mm	7.87"	140 mm	5.51"	200 mm	7.87"

## FEATURES

- Designed for High speed, accuracy and production
- Specially designed rotary table allows angular cutting quick and easy
- The clamping mechanism is mounted with linear guide ways
- The rotary table can be swiveled to right and left with 45° (Max. 60°) angle. This allows for angular cutting.
- The table is equipped with a lock pin, allowing the table to fast lock position at 45° (60°).
- Table surface is precision ground.
- The clamping mechanism is driven by an air cylinder in combination with the use of linear guide ways, which ensure fast and smooth clamping motions.
- Infeed and outfeed fence surfaces are precision ground.
- Equipped with an anti-bump rubber stop to prevent serious bumping of clamp
- Available in 230 / 460 / 575 V electrics



## SPECIFICATIONS

Cutting capacity (Thickness x Width)	+45° (60°) ~ 0° ~ -45° (60°)
Cycle speed	35~40 cuts/min
Saw blade size (optional)	24"
Saw arbor diameter	1"
Saw blade speed	2000 rpm
Dust exhaust diameter	Ø4" x (2)
Motor	10 HP
Table size	45.27" x 29.5" (1150 x 750 mm)
Net weight	1785 lbs (810 kg)
Gross weight	2116 lbs (960 kg)
Packing dimensions (L x W x H)	59" x 53.5" x 78.75" (1500 x 1360 x 2000 mm)

