



## Toe Jack V10-EX

### Features:

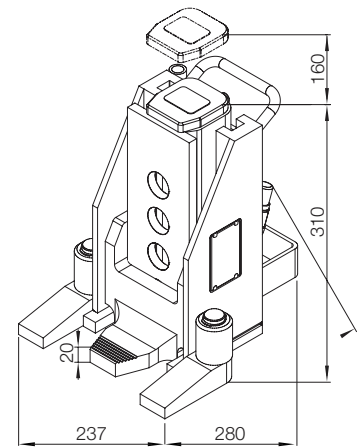
- Must be used with an external pump
- Meant for applications with difficult to access spaces or where a safety distance from the load is required
- Swivel feet to increase stability
- 4 starting positions



### Technical data

### V10-EX

Item number	1-10186
Full load capacity	22,000 lbs. / 100kN (5 t)
Working pressure	7,542 psi / 520 bar
Minimum loading height using safety toe	0.8" / 20 mm
Lifting height	6.3" / 160 mm
Number of toe positions	4 x
Loading height using top plate	12.2" / 310 mm
Overall dimensions (L x W x H)	11 x 9.3 x 12.2" / 280 x 237 x 310 mm
Weight	60 lbs. / 27 kg



Contents

Hydraulic  
Toe Jacks

Pumps

Transport Dollies

Rotating Dollies

ROBOTS

Rollers

Nickel  
Plated Equipment