

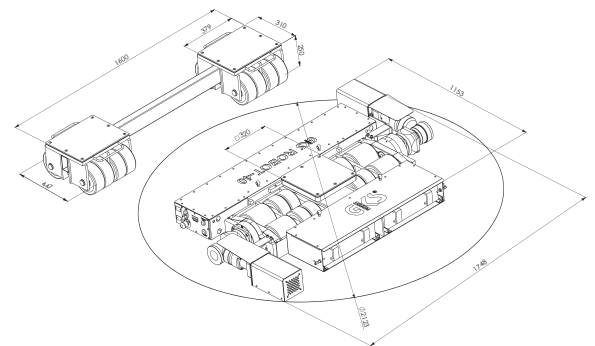


## Transport Module ROBOT-40

- Features:**
- Powered by a lithium polymer battery
  - Simultaneous steering and driving
  - Easy battery replacement—can even be done while under load
  - Optional lift table and straight-line driving functions available upon request



Technical data	L-ROBOT-40	F-ROBOT-40
Item number	3-14007	3-13636
Drive	DC Motor (24 V / 1,5 kW)	—
Battery Life	4-6 hours	—
Speed	10-20 ft/min; 3-6 m/min	—
Incline max. **	3 %	—
Loading height / number of special heavy-duty wheels	9.8" / 250 mm / 4 + 8 (6" / 3" / 154 + 76 mm wide)	9.8" / 250 mm / 16 (3" / 76 mm wide)
Dimensions (L x W x H)	45.4 x 68.8 x 9.8" / 1153 x 1748 x 250 mm	17.6 x 63 x 9.8" / 447 x 1600 x 250 mm
Contact surface	12.5" x 12.5" / 320 x 320 mm	12.2 - 15" / 310 x 379 mm
Connecting rod adjustable	—	29.9 - 63" / 758 - 1600 mm
Total weight	1022 lbs. / 460 kg	311 lbs. / 140 kg
Load Capacity	44,000 lbs. / 200 kN (20 t)	44,000 lbs. / 200 kN (20 t)
Total load capacity	88,000 lbs. / 400 kN (40 t)	



\*\* Use a locking device to prevent inadvertent rolling at inclines