



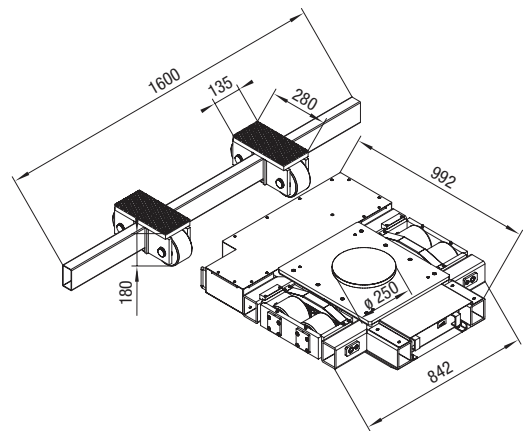
## Transport Module ROBOT-10

### Features:

- Powered by a lithium polymer battery
- Simultaneous steering and driving
- Easy battery replacement—can even be done while under load
- Optional lift table and straight-line driving functions available upon request



Technical data	L-ROBOT-10	F-ROBOT-10
Item number	3-14242	3-13806
Drive	2 DC Motor (24 V / 930 W)	—
Battery Life	4-6 hours	—
Speed	20-36 ft/min; 6-10.9 m/min	—
Incline max. **	5 %	—
Loading height / number of special heavy-duty wheels	7.1" / 180 mm / 4 (5.3 - 4.1" / 135 - 105 mm wide)	7.1" / 180 mm / 4 (5.3 - 2.1" / 135 - 53 mm wide)
Dimensions (L x W x H)	39.1 x 33.2 x 7.1" / 992 x 842 x 180 mm	11 x 63 x 7.1" / 280 x 1600 x 180 mm
Contact surface	9.8" / 250 mm	8.6 - 10.8" / 225 x 275 mm
Connecting rod adjustable	—	17.7 - 63" / 450 - 1600 mm
Total weight	529 lbs. / 240 kg	243 lbs. / 110 kg
Load Capacity	11,000 lbs. / 50 kN (5 t)	11,000 lbs. / 50 kN (5 t)
Total load capacity	22,000 lbs. / 100 kN (10 t)	



\*\* Use a locking device to prevent inadvertent rolling at inclines