



ZENO

Signature Series AC Motor

Motor Model: Z_80a6 NA 1T B_

ELECTRICAL DATA		
	60 Hz	50 Hz
Horsepower	0.50	0.50
Kilowatt	0.37	0.37
Speed – RPM	1080	900
Voltage	230/460	200/400
Phase	3	
Full Load Amp	2.2/ 1.1	2.38 / 1.19
Power Factor	0.63	0.69
Nominal Eff.	70	65%
Service Factor	1.2	1.0
KVA Code	?	?
208Vot Performance	0.37kW 2.2Amp 0.70PF 1110rpm	
Starting Current	7.4 / 3.6	7.6 / 3.8
Coil Resistance	Ohms	

GENERAL DATA			
Frame Size	80		
Frame Enclosure	TEFC		
Mounting	B14 – B5 – B3 -B14R - B5R		
Insulation Class	F		
Duty	S1 Continuous		
NEMA Design	B		
Frame Material	Diecast Aluminum		
Ingress Protection	55	56	65 66
Tropicalization	Option		
Cable Entry	M16 Gland		
Paint Color	Unpainted		
Paint RAL			
Fan Cover	Standard	Raincover	Extension
- Material	Plated Steel	Stainless Steel	
Weight	18.7 Lb	8.5 Kg	

ACCESSORIES				
BRAKE	B.Brake		CC2	
Volts	24Vdc	103Vdc	205Vdc	
Watts	28 Watts			
Max Holding Torque	5Nm		44 in-lbs	
Air Gap	0.3mm Min		0.5mm Max	
Open/Close Times	10ms open		34ms close	
Rectifier	½ Bridge		Full Bridge	
Brake Options	Release Lever		IP56 Kit	
ENCODER	Sick VFS60A-THPZ0-S02			
Settings	1024TTL 4.5-32Vdc 6mA			
SERVO VENT	24Vdc	115V	230Vac	24Vdc
Amps				

ELECTRICAL CONNECTIONS		
Leads	9 leads	6 leads
Terminal Block	9 lugs	6 lugs
Circuits	YY/Y	Δ/Y
Thermal Protection	NC 130°C Thermostat	24Vdc max Thermistor

MECHANICAL DATA	
Drive End Bearing	6204 2RS
Non-Drive End Bearing	6204 2RS
Db No-Load	
Rotor Wk ² Lb-Ft ²	
Comp Ring (wavy washer)	Drive End

Load	Eff %	P.F.	Eff %	P.F.
50%				
75%				
100%				

TORQUE VALUES	Nm	% FLT
Max Torque	8.13	210
Starting Torque	8.55	221
Full Load Torque	3.87	100

FULL LOAD TEMPERATURE RISE	
FL Temp Rise °C	

SITE CONDITIONS		
Ambient Temp	40°C	104°F
Altitude Above Sea Level	1000 M	3281 feet

Image Links		
2D PDF	3D STP	Wiring

QR CODE
Place Holder

Options in blue
are Ex-Works
USA
Options in RED
are Ex-Works
Italy

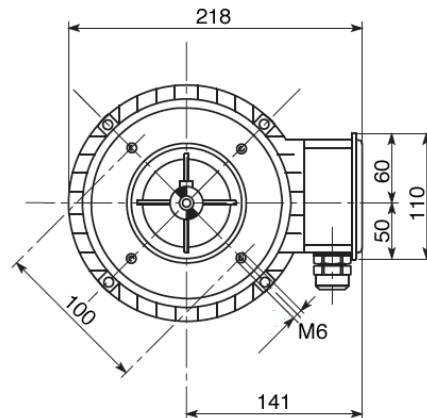
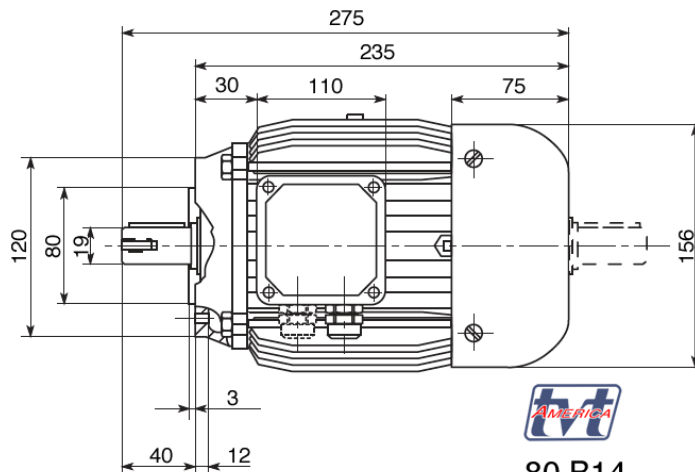
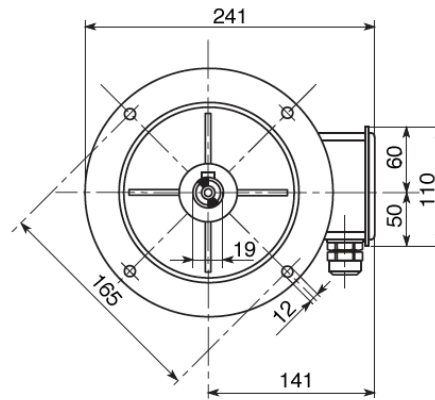
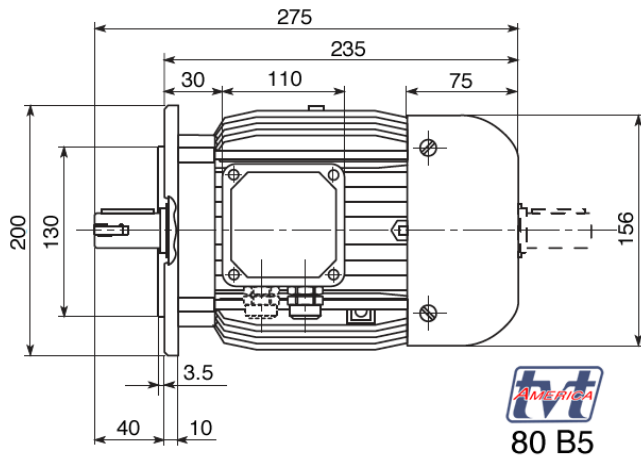
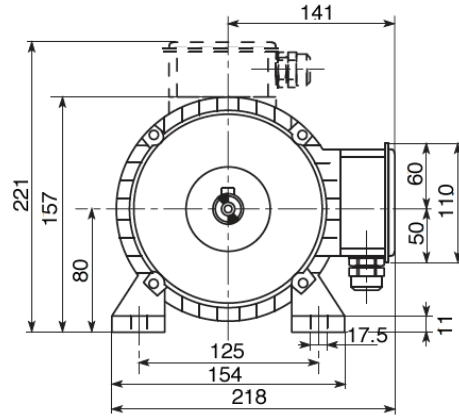
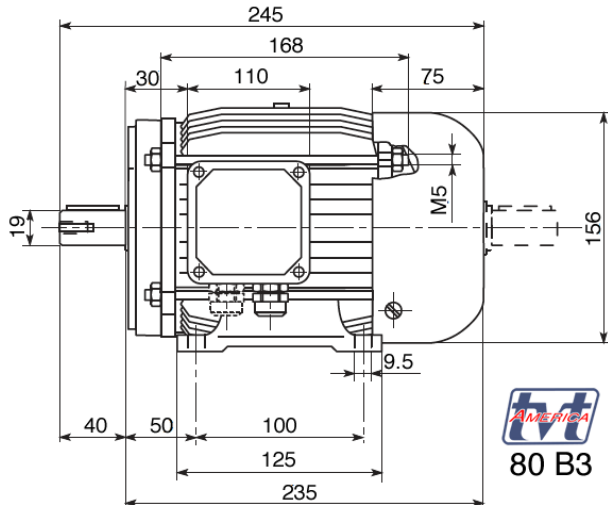
Made in Italy
Assembled in U.S.A.

TVT AMERICA LLC
Hollister, MO 65672
P. 866 285 5055



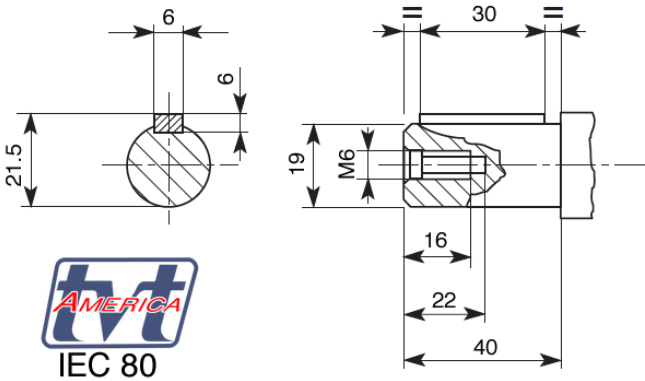


MOUNTING FORMS

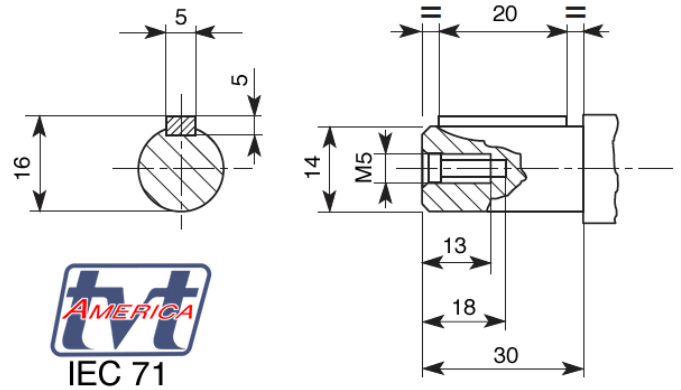




STANDARD OUTPUT SHAFT



REDUCED OUTPUT SHAFT



OPTIONAL MOUNTING FORMS

