



Motor Model: TFP90L/2 EU

ELECTRICAL DATA		
	60 Hz	50 Hz
Horsepower	3.6	3.0
Kilowatt	2.6	2.2
Speed – RPM	3410	2840
Voltage	280/480	230/400
Phase	3	
Full Load Amp	8.5 / 4.9	8.2 / 4.7
Power Factor		0.86
Nominal Eff.		79.7%
Service Factor	1.0	1.0
KVA Code		
FL Amps @ 208V		
Starting Current	46.75 / 26.95	45.1 / 25.85
Coil Resistance	Ohms	

GENERAL DATA			
Frame Size	90		
Frame Enclosure	TEFC		
Mounting	B14 – B5 – B3 – B35 – B34		
Insulation Class	F		
Duty	S1 Continuous		
NEMA Design	B		
Frame Material	Diecast Aluminum		
Ingress Protection	54	55	56 66
Tropicalization	Optional		
Cable Entry	M16 Gland		
Paint	RAL 9006	Polyester Epoxy	
Paint	WHITE ALUMINUM		
Brake Cover	TVT BLUE	RAL 5010 Epoxy	
- Material	Pressed Steel	Stainless Steel	
Weight	44.44 Lbs	20.2 Kg	

ACCESSORIES			
BRAKE	O.E.G. Model 90-SMS		
- Volts	24Vdc	103Vdc	230Δ/400Y-50Hz
- Volt-Amp	225		
Max Torque	50 Nm	444 in-lbs	
Air Gap	0.3mm Min.	0.7mm Max.	
Open/Close Times	635ms open	8ms close	
Rectifier	½ Bridge 44.5%	Full Bridge 89%	
Sensor Bearing	BMO-6205/048S2/UA008A		
Pulse/Rev	48		
Period Accuracy	+/- 3%		
Phase shift output	90°		
Phase shift output signal tolerance.	+/- 30°		

ELECTRICAL CONNECTIONS		
Leads	9 leads	6 leads
Terminal Block	9 lugs	6 lugs
Circuits	YY/Y	Δ/Y
Thermal Protection	NC 130°C Thermostat	24Vdc max Thermistor

MECHANICAL DATA		
DE Bearing	6205 ZZ	6205 2RS
NDE Bearing	6205 ZZ	6205 2RS
dB No-Load		
Rotor Wk ² Lb-Ft ²		
Comp Ring (wavy washer)	DRIVE END	

Load	Eff %	P.F.	Eff %	P.F.
50%				
75%				
100%				

TORQUE VALUES	Nm	% FLT
Max Torque	22.20	300
Starting Torque	21.46	290
Full Load Torque	7.4	100

FULL LOAD TEMPERATURE RISE		
FL Temp Rise	°C	°F

SITE CONDITIONS		
Ambient Temp	40°C	104°F
Altitude Above Sea Level	1000 Meters	

Image Links		
2D PDF	3D STP	Wiring



Options in BLUE available Ex-Works USA.
Options in RED are available Ex-Works Italy

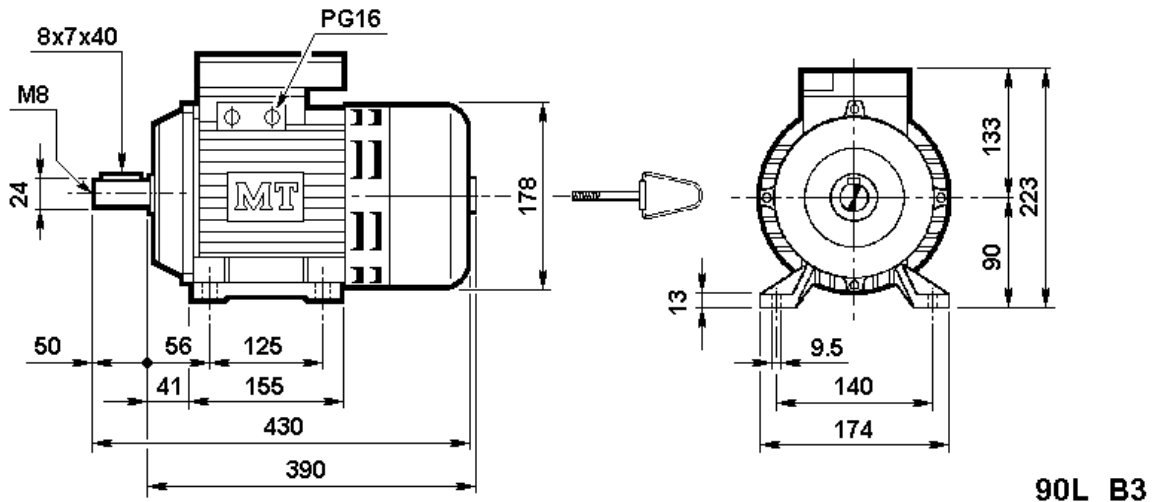
Made in Italy
Assembled in U.S.A.

TVT AMERICA LLC
Hollister, MO 65672
P. 866 285 5055

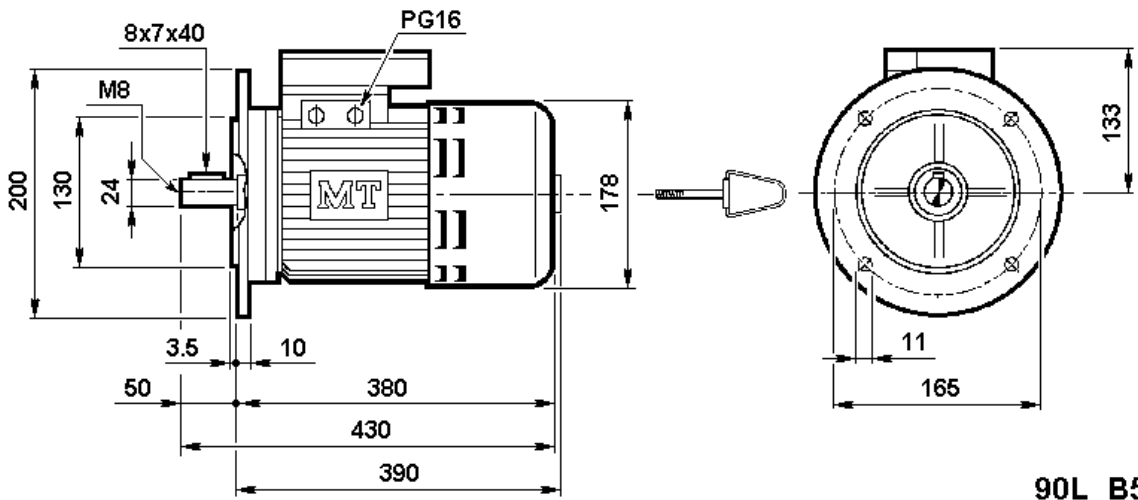


UL 1004 C22.2 N°100--95

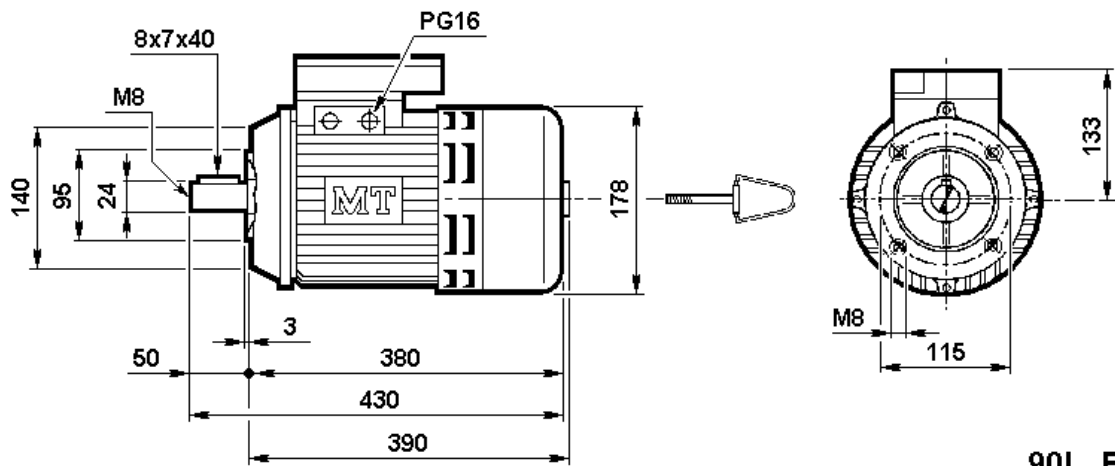
MOUNTING FORMS



90L B3



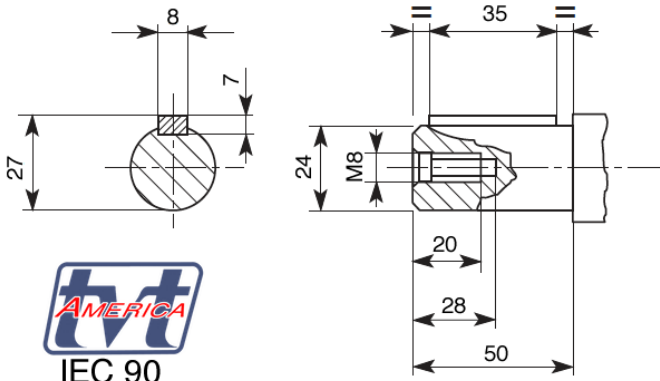
90L B5



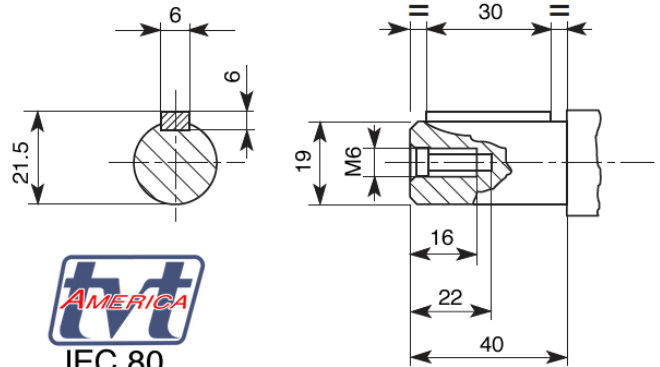
90L B14



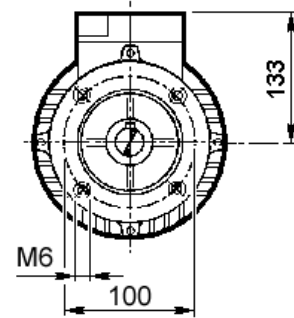
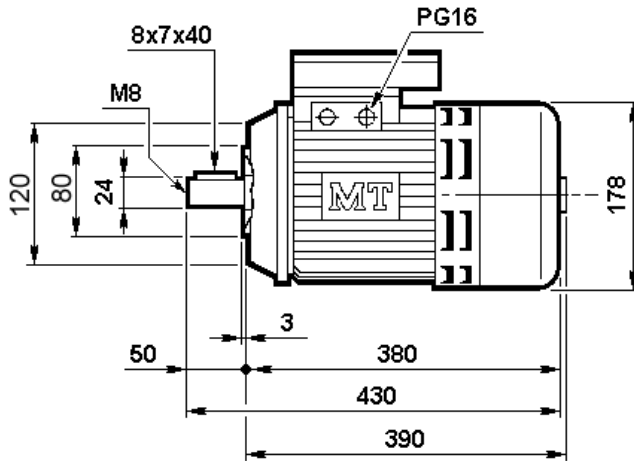
STANDARD OUTPUT SHAFT



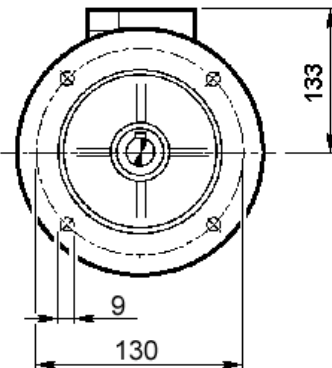
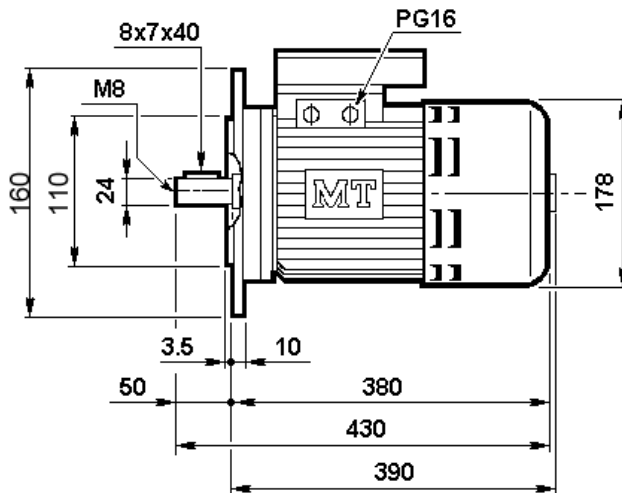
REDUCED OUTPUT SHAFT



OPTIONAL MOUNTING FORMS



TFP 90L B14R



TFP 90L B5R