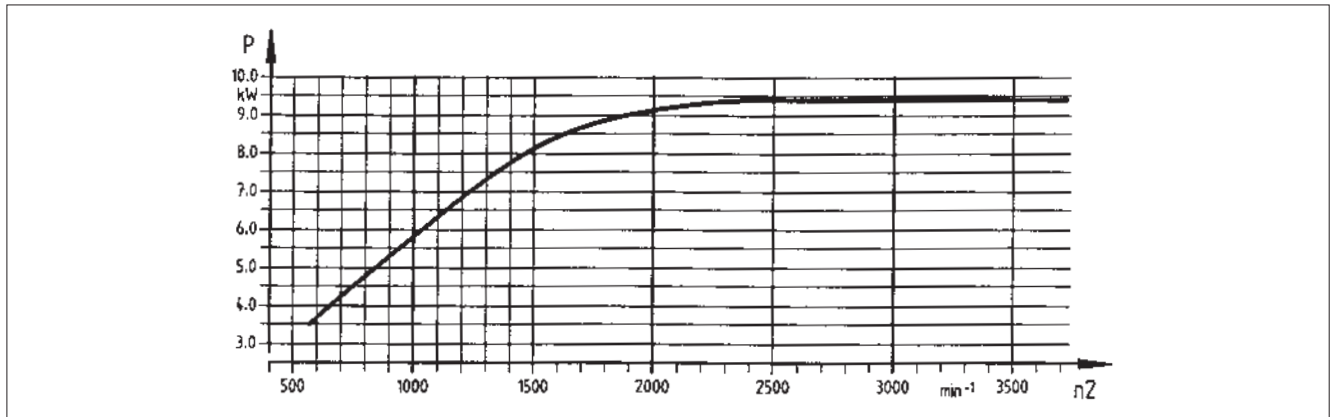


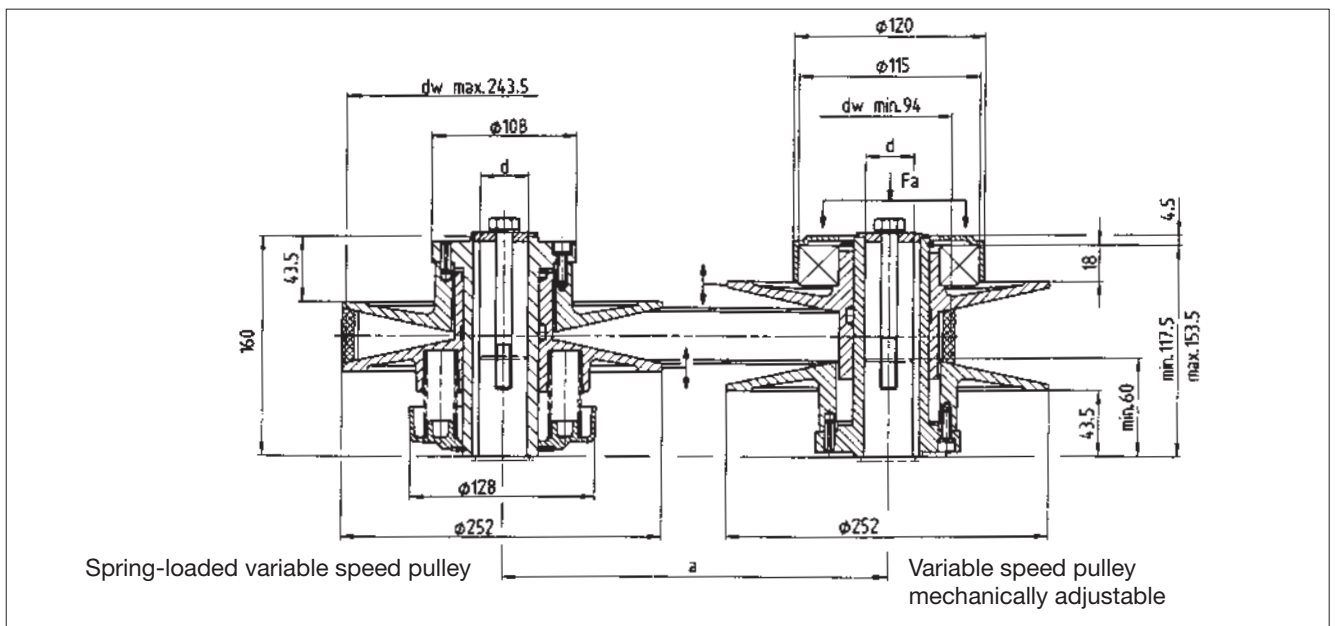
### Technical data

$P_1 = 7.5/9.2/11 \text{ kW}$			
Adjustment range	R:	6.7	
Variable speed drive	:	47x13 mm	
Mass	m:	6.6 kg 5.8 kg	(...910/911/912) (...928)
Moment of inertia	J:	0.020 kgm <sup>2</sup> 0.026 kgm <sup>2</sup>	(...910/911/912) (...928)
Bores of ISO H7/keyway	min: standard: max:	25 mm 28; 38; 42 mm 42 mm	DIN 6885/1 DIN 6885/1 DIN 6885/1
Adjustment force	Fa max:	2000 N	
Belt tension	Fr max:	900 N	

### Output power at $n_1 = 1450 \text{ min}^{-1}$



### Dimensions



Axis distance a	286	316	347	382	418	458	509	559	609
Inner belt length	1060	1120	1180	1250	1320	1400	1500	1600	1700

Dimensions in [mm]