

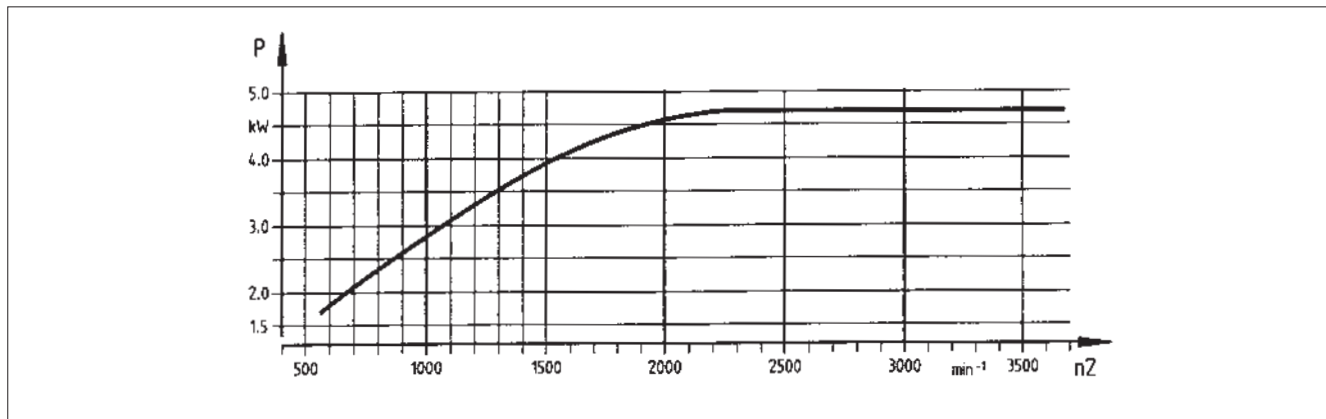
Variable speed pulleys

11.213.20/11.218.20

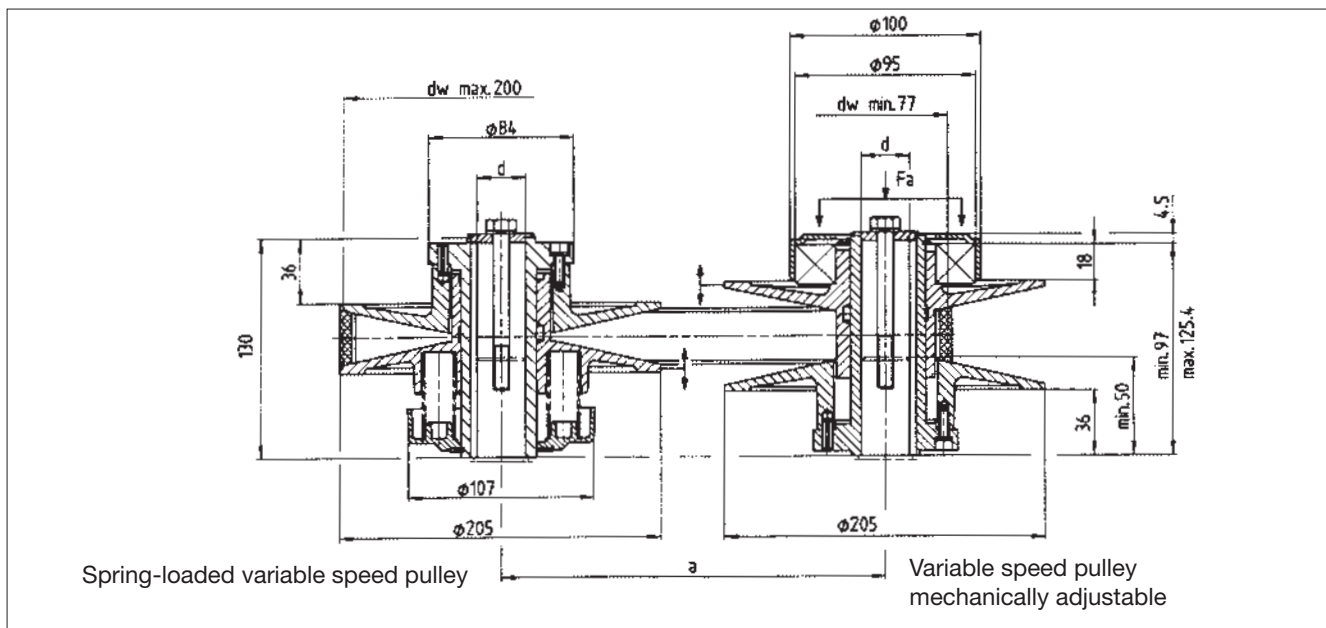
Technical data

$P_1 = 4/5.5 \text{ kW}$		
Adjustment range	R:	6.7
Variable speed belt	:	37x10 mm
Mass	m:	3.4 kg (...910/911/912) 3.3 kg (...926)
Moment of inertia	J:	0.0071 kgm ² (...910/911/912) 0.0092 kgm ² (...926)
Bores of ISO H7/keyway	min: standard: max:	19mm 24; 28; (24) mm 28 mm DIN 6885/1 DIN 6885/1 DIN 6885/1
Adjustment force	Fa max:	1400 N
Belt tension	Fr max:	600 N

Output power at $n_1 = 1450 \text{ min}^{-1}$



Dimensions



Axis distance a	223	248	274	299	329	360	390	425	461	501	551	602	652
Inner belt length	850	900	950	1000	1060	1120	1180	1250	1320	1400	1500	1600	1700

Dimensions in [mm]