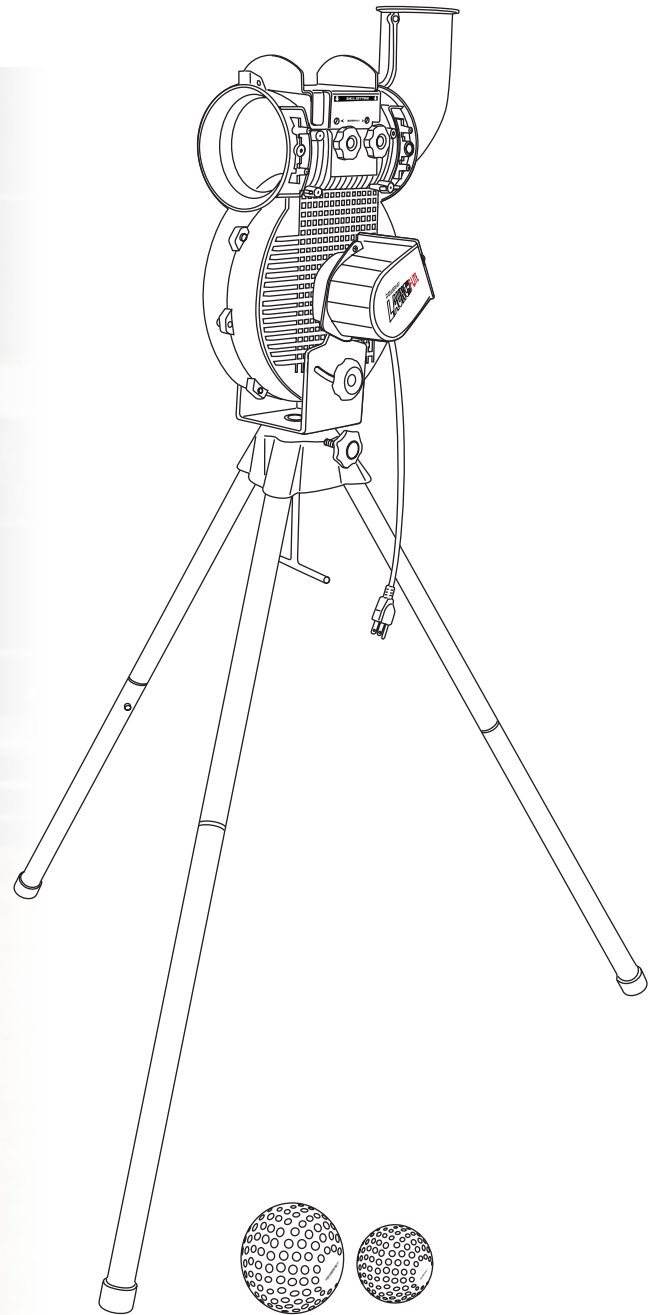


POWERNET®

LAUNCH F-LITE™

PITCHING MACHINE

BASEBALL | SOFTBALL



1194 | LAUNCH F-LITE™

LAUNCH**F-LITE**[™]

MANUAL

POWERNET[®]

MANUAL

LAUNCH**F-LITE**[™]

Table of Contents

Welcome to the Team	04
<hr/>	
Product Safety Labels	05
<hr/>	
Safety Instructions	06
<hr/>	
Electrical Safety & Battery Pack Recommendations	07
<hr/>	
Part Descriptions	08
<hr/>	
Baseball Setup	09-12
<hr/>	
Softball Setup	13-16
<hr/>	
Launch F-Lite™ Ultra Light Balls	17
<hr/>	
Pop-Fly Ball Setting	18
<hr/>	
Product Specifications & Product Warranty	19
<hr/>	
7 Day Challenge	20
<hr/>	
Need More Gear?	21

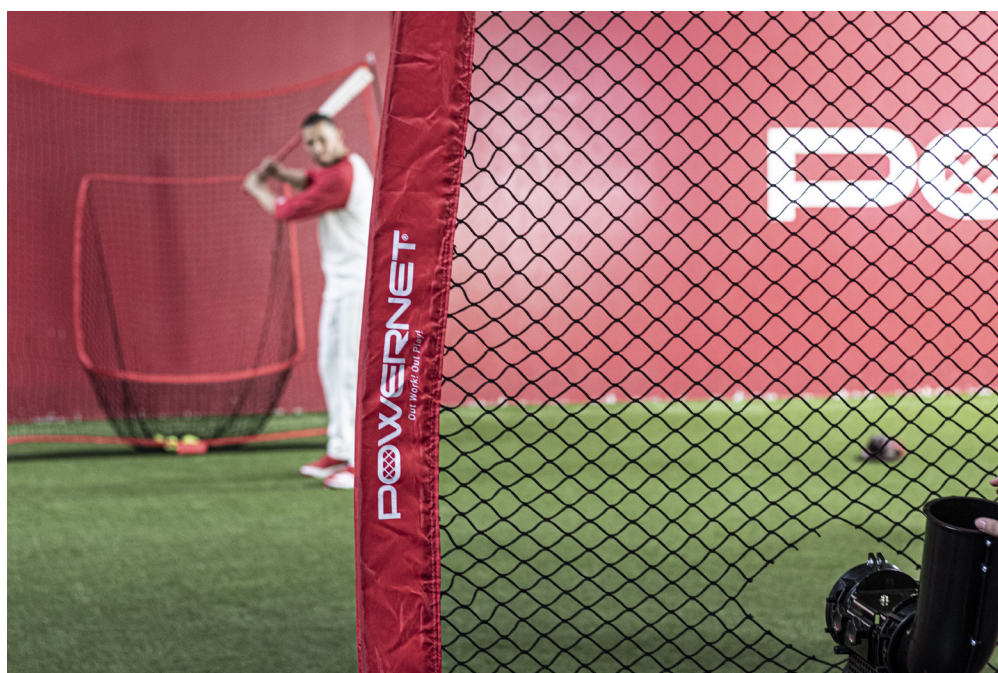
Welcome to the Team!

Thank you for purchasing the **PowerNet LAUNCH F-LITE™** Pitching Machine. Team PowerNet takes pride in building confidence through sports.

Winners aren't built overnight. Individuals who challenge themselves and others to create strong habits to excel in sports walk away with something even greater than the game; pride, confidence and self-respect. This places them in a position to experience sustained success in all areas. Our dedication to providing quality equipment at affordable prices has never wavered. Our driving force is to get PowerNet gear in the hands of the player. We trust in the process of training and hard work as it will lead to success on and off the field. Here at PowerNet, our hope is to play a role in building winners not only in sports, but in life as well.



ANDRELTON SIMMONS
PRO BASEBALL PLAYER - SS



Product Safety Labels

- The product safety labels included with the pitching machine are designed to inform the operator of the potential hazards associated with using this machine. Misuse could result in serious injury or harm.
- Carefully read all affixed safety labels and warnings to help ensure complete safety and satisfaction while using your machine. The labels are strategically located on the respective areas of the machine where injury could occur. This placement also works to ensure visibility by the operator(s).
- Locate the four examples shown below on your machine. If you are missing any labels or need to replace old/worn out labels, please contact the PowerNet Customer Service Department at the number located on the back of this manual.

WARNING

- BATTER MUST WEAR A NOCSAE APPROVED BATTING HELMET
- DO NOT STAND IN FRONT OF MACHINE WHILE IN USE
- PITCHING OPERATOR MUST STAND BEHIND A PROTECTIVE SCREEN
- ONLY PITCH ONE BALL AT A TIME
- DO NOT STEP IN TO BAT UNTIL 1ST DETERMINING THE BALL PATH IS IN THE DESIRED STRIKE ZONE

LAUNCH F-LITE™

WARNING

- READ ALL INSTRUCTIONS AND WARNING LABELS BEFORE OPERATION
- INSPECT WHEEL BEFORE EACH USE
- DO NOT USE IF WHEEL IS CRACKED CONTACT FOR SERVICE
- USE ONLY APPROVED **POWERNET LAUNCH F-LITE™ PRACTICE BALLS**
- USING NON-APPROVED BALLS CAN DAMAGE THE MACHINE AND VOID WARRANTY

FOR SERVICE CONTACT
(909) 203-5495
Sales@Trainingnets.com

DANGER

- **SHOCK HAZARD** - THIS MACHINE SHALL BE USED AND STORED IN DRY LOCATIONS ONLY. NEVER USE IN WET CONDITIONS.
- **STABILITY HAZARD** - "T" HANDLE MUST BE FULLY TIGHTENED BEFORE TURNING ON MACHINE.
- **DO NOT MODIFY THIS MACHINE IN ANY WAY. DOING SO CAN BE DANGEROUS AND VOID THE PRODUCT WARRANTY.**

DANGER

TURN MACHINE OFF AND ENSURE WHEEL IS NO LONGER SPINNING BEFORE MAKING ANY ADJUSTMENTS. KEEP FINGERS, BODY PARTS AND CLOTHING AWAY FROM MOVING PARTS.

Safety Instructions

PowerNet has thoroughly inspected and tested each **LAUNCH F-LITE™ PITCHING MACHINE** at the factory prior to shipping, but occasional errant pitches may occur due to the following factors: balls in poor condition, moisture on ball or wheel, high wind conditions, debris on ball or wheel, careless or negligent use, or improper storage. **Eliminating these factors will help ensure consistency, accuracy, and safety.**

NOTE: DAMAGE RELATED TO IMPROPER USE OR NEGLIGENCE WILL AUTOMATICALLY VOID ALL WARRANTIES.

- 1) *Batter must wear a NOCSAE® approved helmet at all times.*
- 2) *Never use this machine in wet or adverse conditions – machine and balls should be moisture free.*
- 3) *Never stand or walk in front of machine while powered on.*
- 4) *Always use machine with a protective screen to help protect operator from batted balls.*
- 5) *Operator should wear protective eyewear and helmet at all times.*
- 6) *Turn the machine off and have wheel completely stopped prior to making any adjustment (other than speed and elevation). Never attempt to slow or stop the wheel while it is spinning.*
- 7) *Stop use immediately and disconnect power if any loud or unusual noises occur. Report to PowerNet Customer Service at (909) 203-5495 to resolve issue.*
- 8) *Launch F-Lite™ balls are required, do not use real baseballs or softballs.*
- 9) *Never remove or install Baseball | Softball Chute inserts while machine is running.*
- 10) *React to errant pitches the same way you would if batting off a live pitcher.*

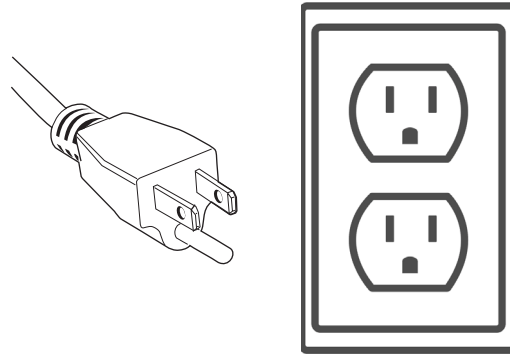
The PowerNet Launch F-Lite™ Pitching Machine was designed for use by operators 18 years of age or older. Adult supervision is required for machine operation of anyone under 18 years of age.

Do not attempt to operate this machine until you have carefully read and fully understand all safety rules, instructions, warning labels, etc. outlined in this manual. Failure to follow this warning can result in accidents involving electric shock or serious personal injury. Save and review this Owner's Manual frequently to continue safe operation, and to instruct others who may use this machine.

Electrical Safety

The Launch F-Lite™ Pitching Machine has a 120V motor and plugs into a standard 110-voltage outlet.

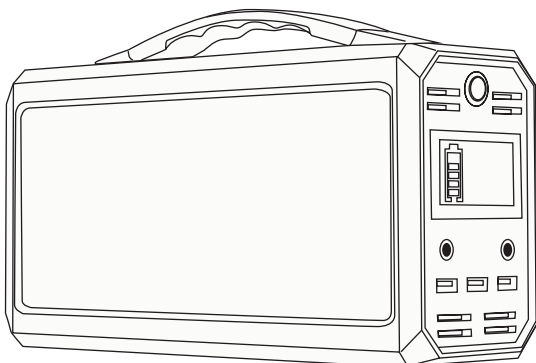
IN ORDER TO POWER THE LAUNCH F-LITE™ PITCHING MACHINE YOU WILL NEED TO PLUG INTO A GROUNDED (3-PRONG) OUTLET BOX.



⚠ WARNING

- DO NOT OPERATE OR STORE YOUR LAUNCH F-LITE™ PITCHING MACHINE IN A WET ENVIRONMENT.
- SURGE PROTECTOR IS RECOMMENDED WHEN POWERING MACHINE WITH GENERATOR.
- IF USING AN EXTENSION CORD IT MUST HAVE A 3-PRONG PLUG.
- DO NOT WRAP THE MACHINE'S POWER CORD NOR EXTENSION CORD AROUND THE BASE. FAILURE TO ABIDE COULD LEAD TO A PINCHED OR EXPOSED WIRE.

Battery Pack Recommendations

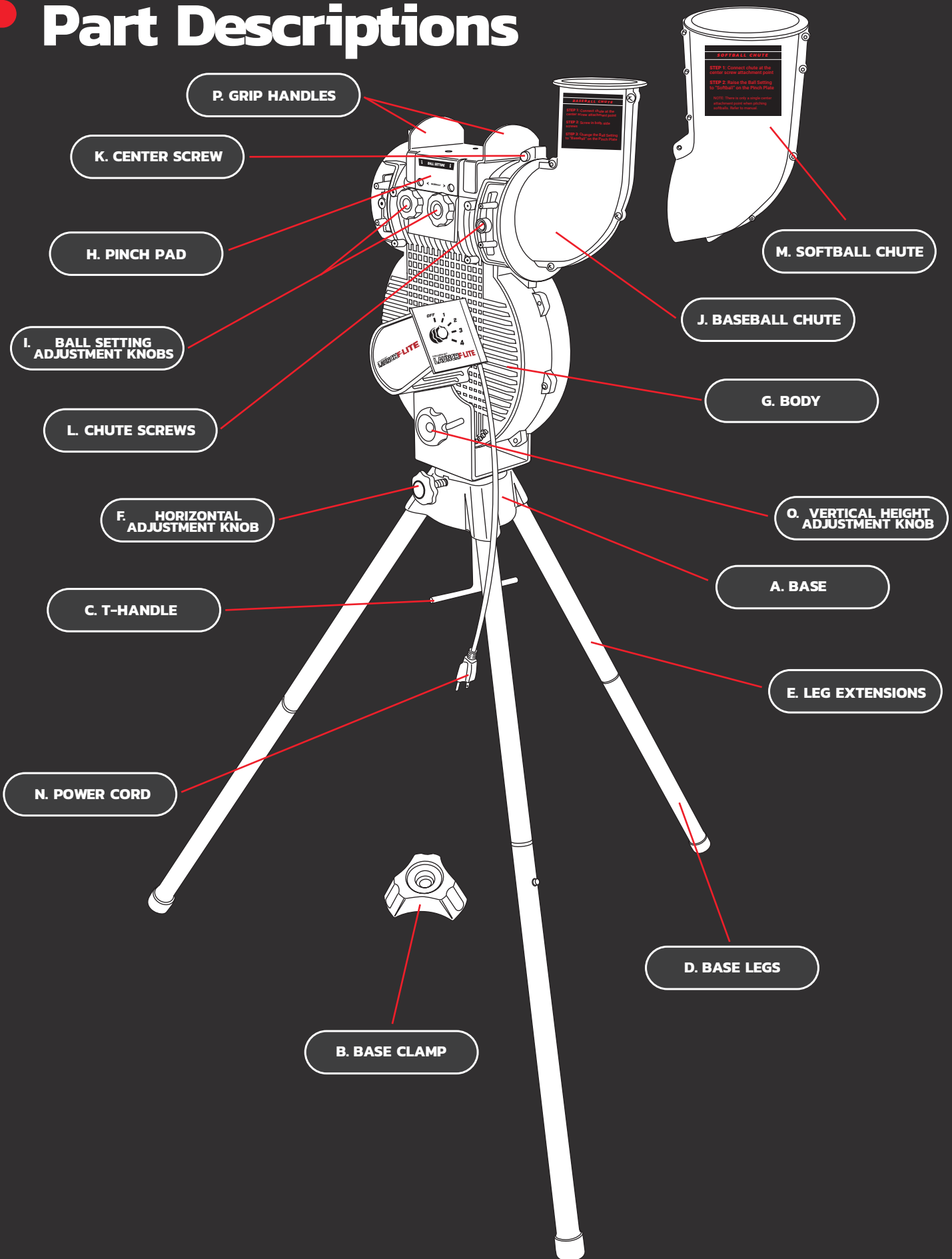


ON THE FIELD?

SCAN THE QR CODE FOR A LIST OF PORTABLE LIGHTWEIGHT BATTERY PACKS COMPATIBLE WITH YOUR LAUNCH F-LITE™ PITCHING MACHINE.

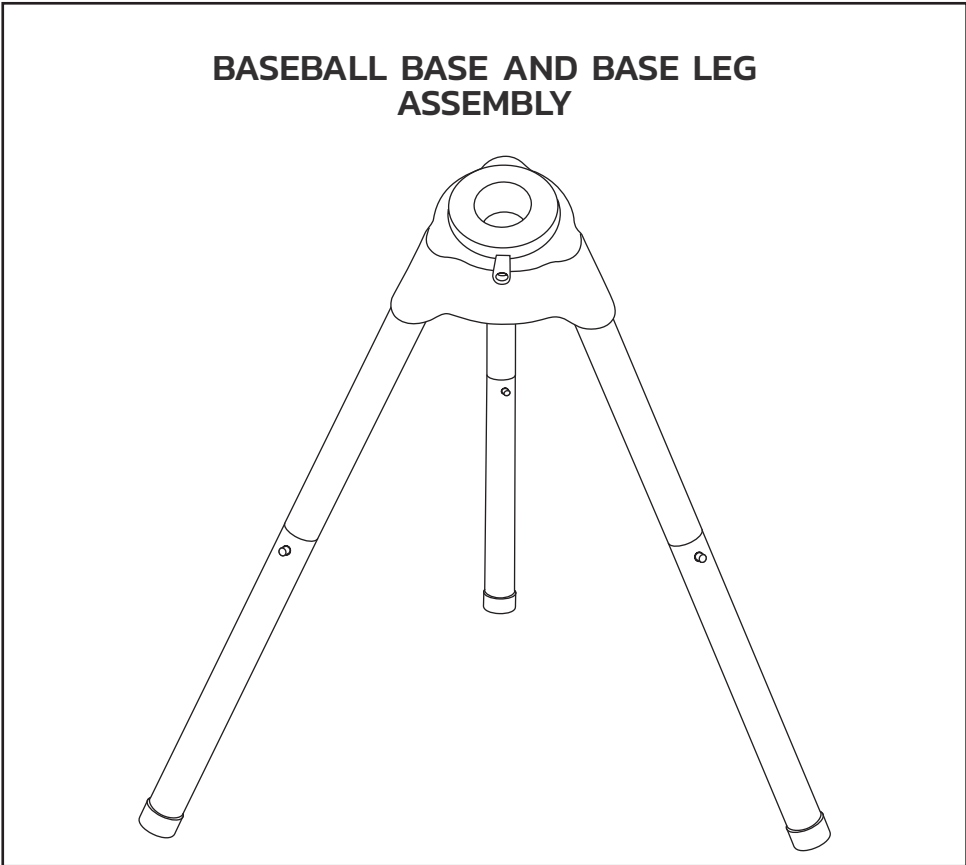
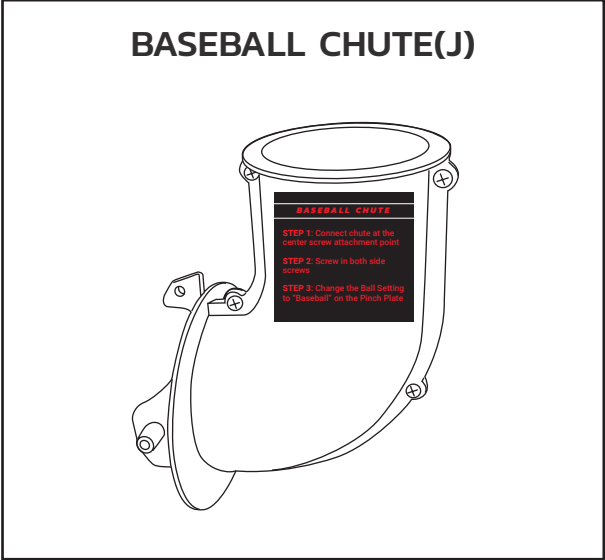
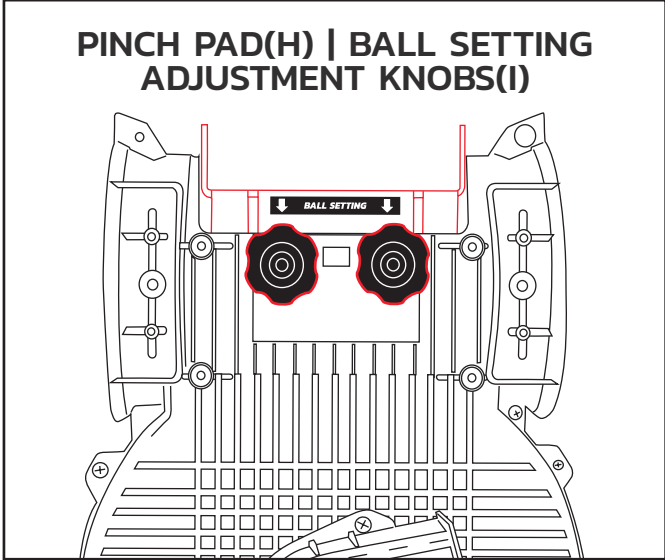


Part Descriptions



Baseball Setup

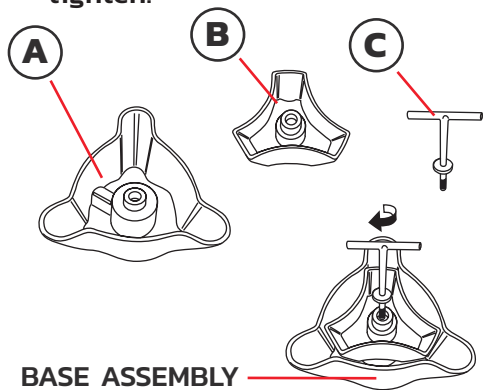
KEY COMPONENTS FOR BASEBALL



Baseball Setup

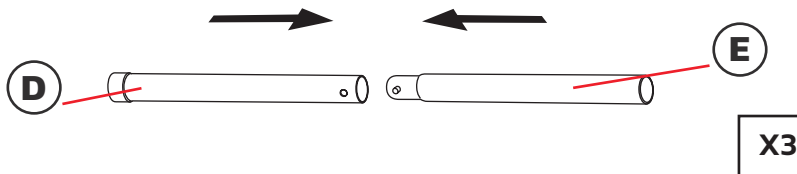
STEP 1

Insert Base Clamp(B) into Base(A). Use T-Handle(C) to join the two but do not fully tighten.



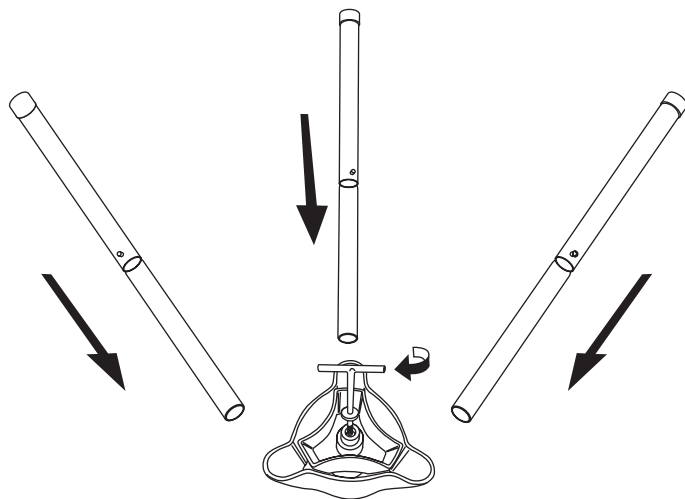
STEP 2

Connect Base Legs(D) to Leg Extensions(E), x3.

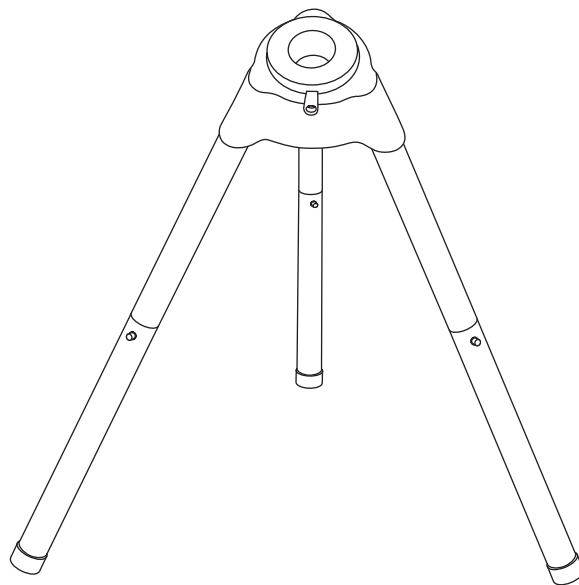


STEP 3

Insert LEG ASSEMBLIES into BASE ASSEMBLY. Use T-Handle(C) to tighten.



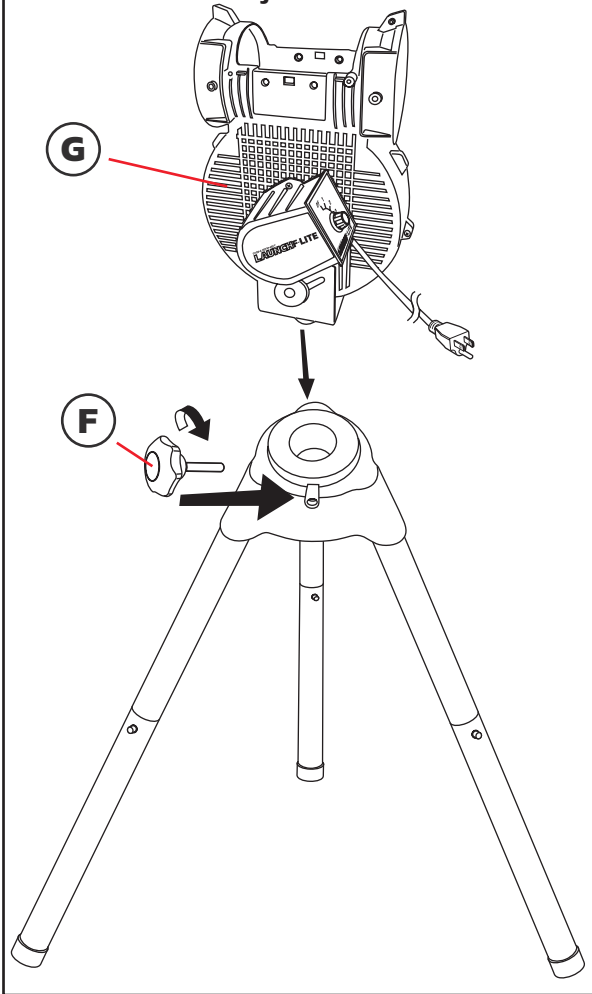
BASEBALL BASE/LEG ASSEMBLY SHOULD LOOK LIKE THIS.



Baseball Setup

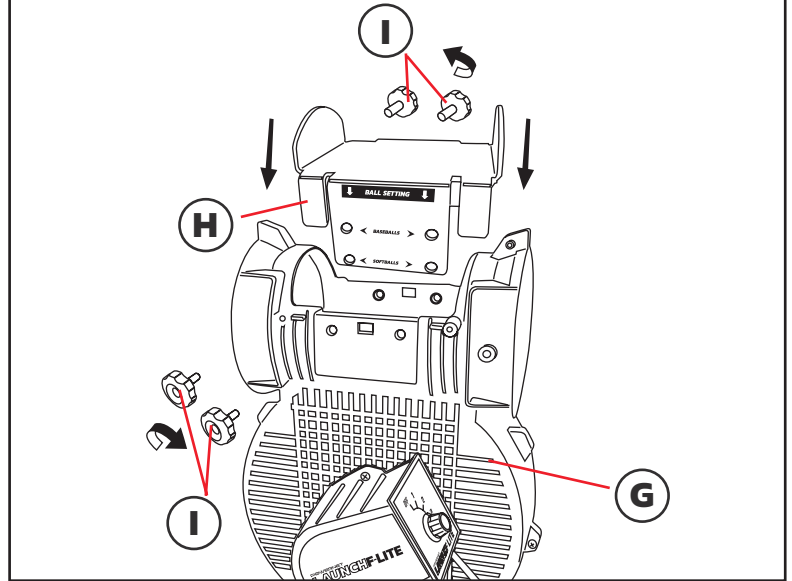
STEP 4

Place Body(G) onto full BASE and LEG ASSEMBLY. Secure Body(G) with Horizontal Adjustment Knob(F).



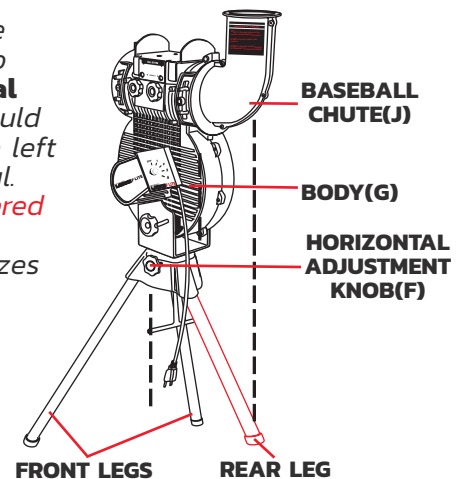
STEP 5

Insert Pinch Pad(H) into Body(G) (H is a tight fit into G, gently push in). Set Pinch Pad(H) to the Baseball Setting. Secure Pinch Pad(H) with Ball Setting Adjustment Knobs(I), x4.



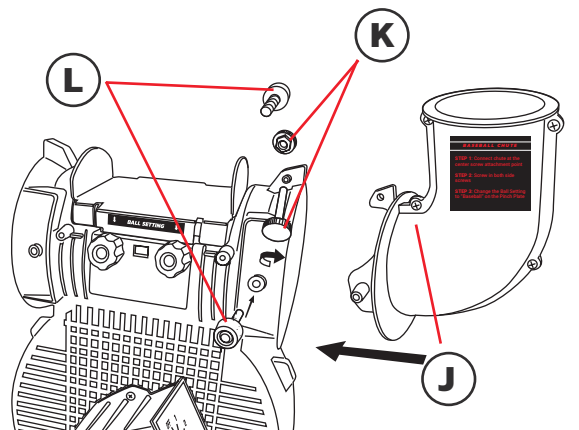
NOTE:

The **Body(G)** needs to be centered between the two front Legs. The **Horizontal Adjustment Knob(F)** should always be located on the left side below the Speed Dial. **Rear Leg should be centered with Chute(J)**. This helps with stability and minimizes movement.



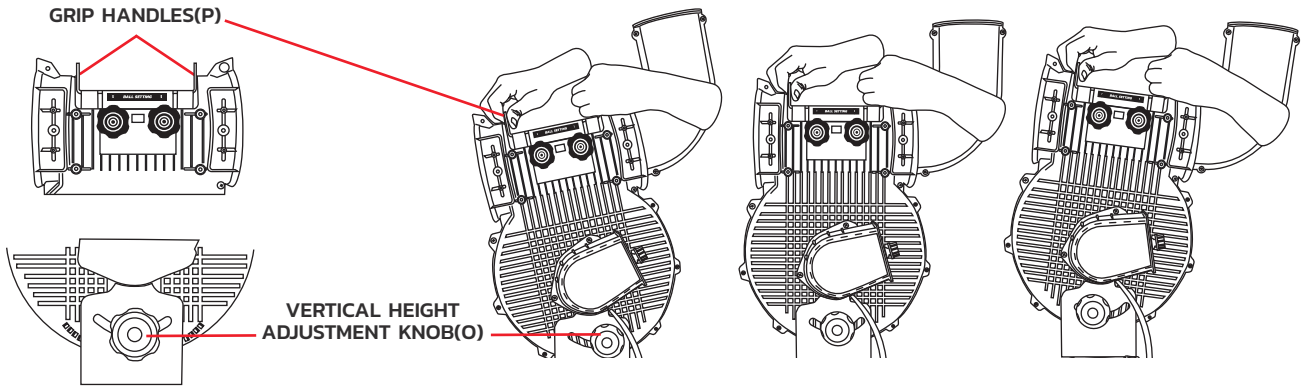
STEP 6

Secure Baseball Chute(J) using Center Screw(K). Secure sides of Baseball Chute(J) with Chute Screws(L).



Baseball Setup

ADJUSTING VERTICAL TILT

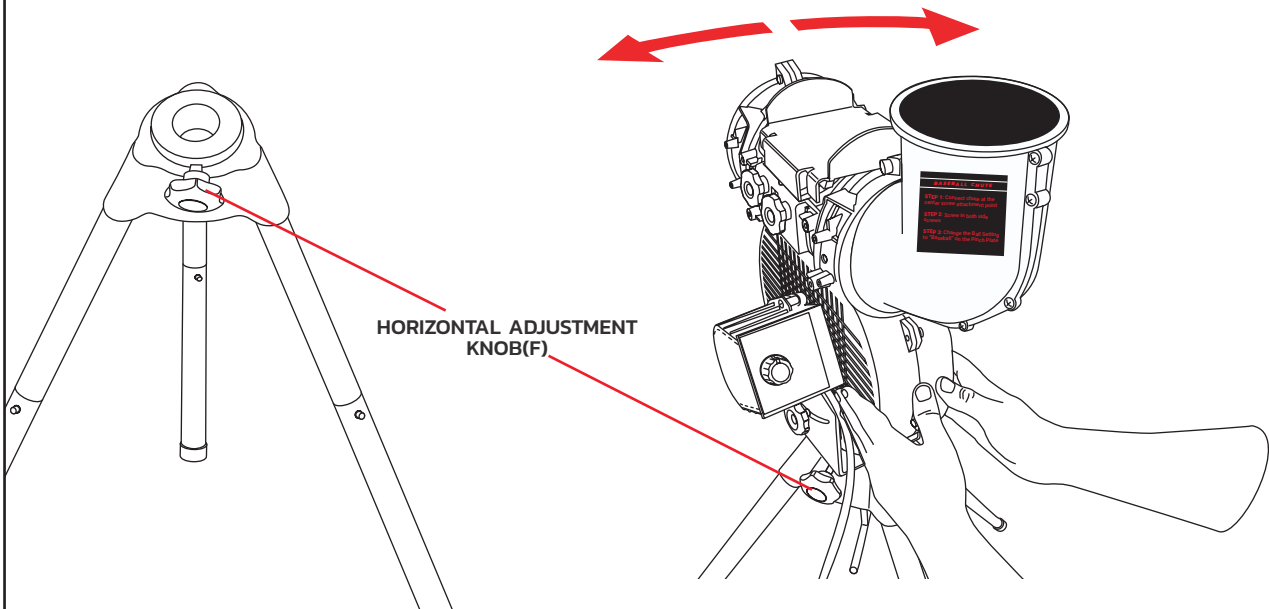


NOTE:
Initially, it may be difficult to adjust the tilt. Apply pressure on the Grip Handles(P) to tilt the machine.

Loosen Vertical Height Adjustment Knob(O) and use Grip Handles(P) to tilt the machine to pitch height preference.

ADJUSTING HORIZONTAL SWIVEL

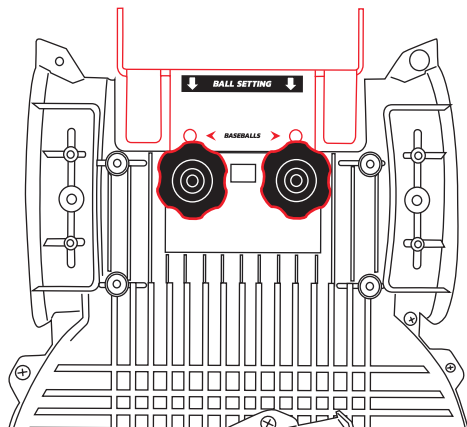
Loosen Horizontal Adjustment Knob(F) until Body(G) easily swivels side to side. Adjust position to preference and tighten Horizontal Adjustment Knob(F).



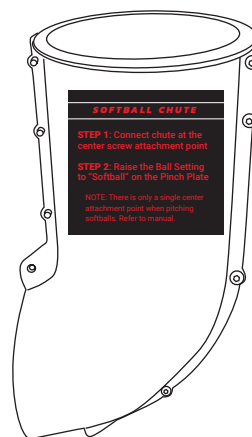
Softball Setup

KEY COMPONENTS FOR SOFTBALL

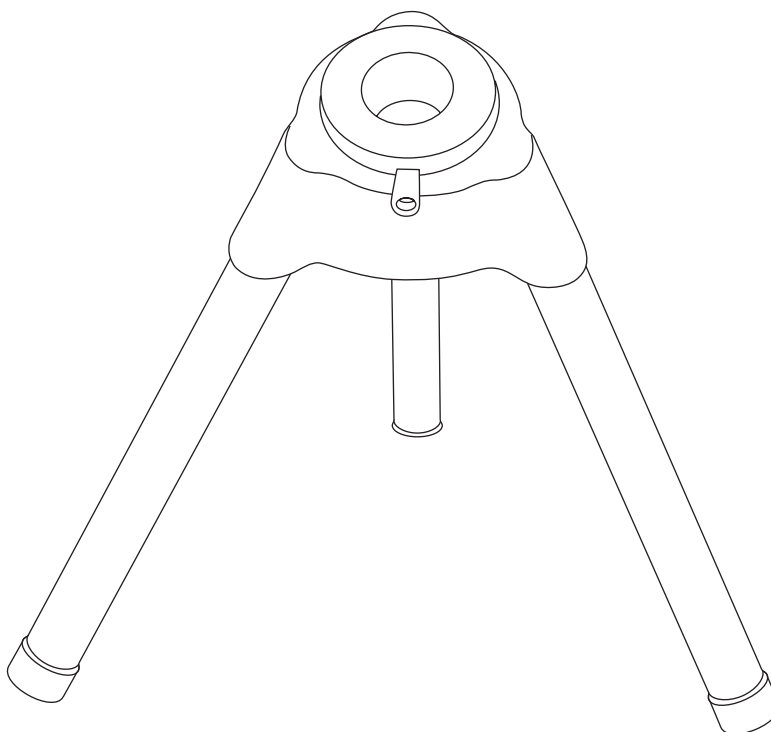
**PINCH PAD(H) | BALL SETTING
ADJUSTMENT KNOBS(I)**



SOFTBALL CHUTE(M)



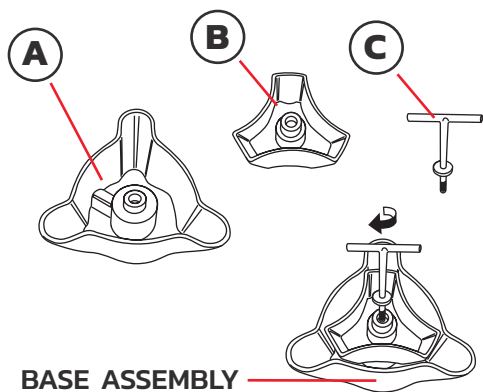
**SOFTBALL BASE AND BASE LEG
ASSEMBLY**



Softball Setup

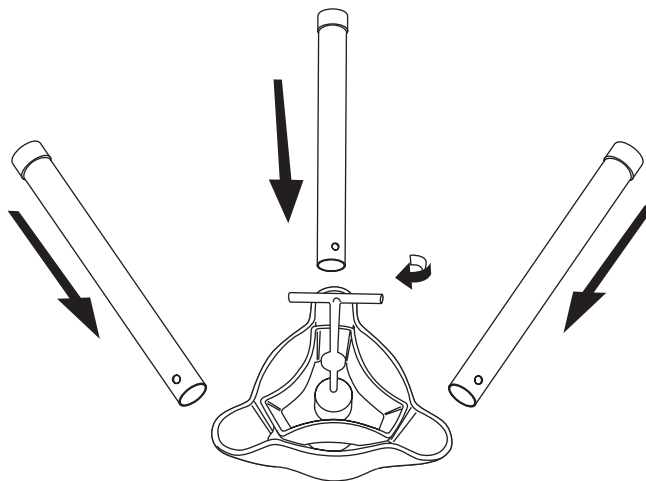
STEP 1

Insert Base Clamp(B) into Base(A). Use T-Handle(C) to join the two but do not fully tighten.

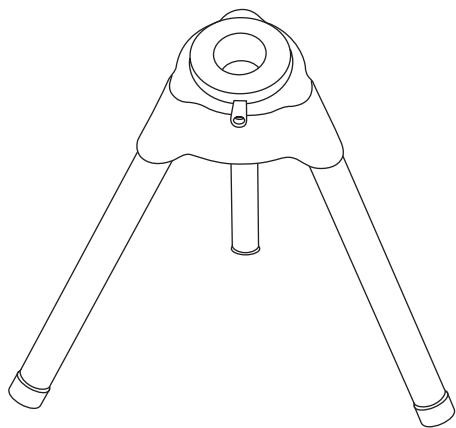


STEP 2

Insert Base Legs(D) into BASE ASSEMBLY. Use T-Handle(C) to tighten.

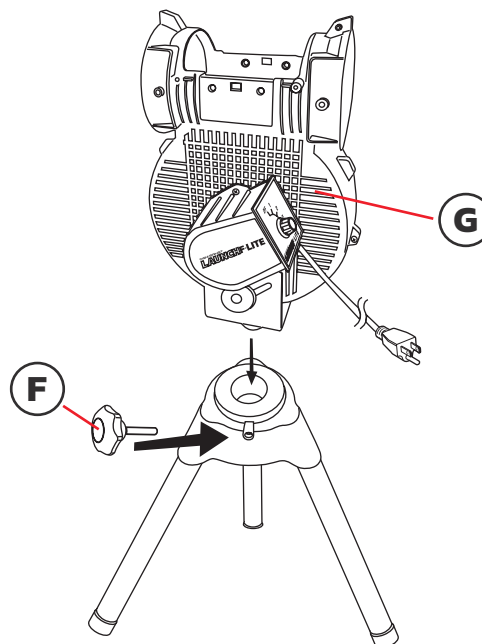


SOFTBALL BASE/LEG ASSEMBLY SHOULD LOOK LIKE THIS.



STEP 3

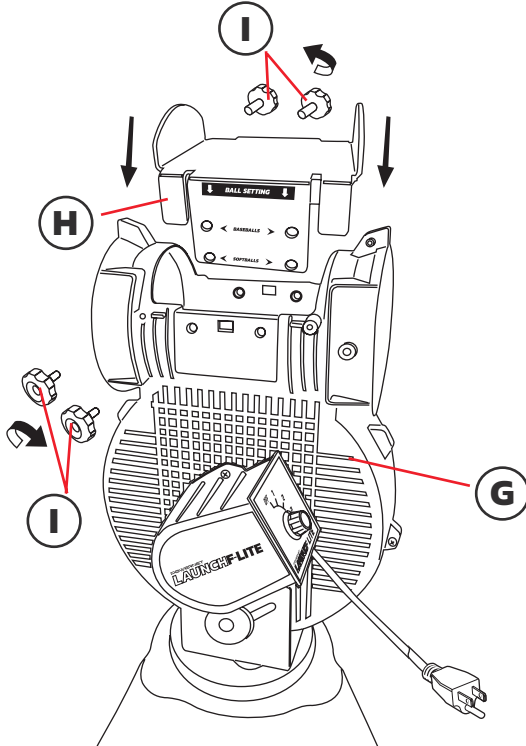
Place Body(G) onto full BASE and LEG ASSEMBLY. Secure Body(G) with Horizontal Adjustment Knob(F).



Softball Setup

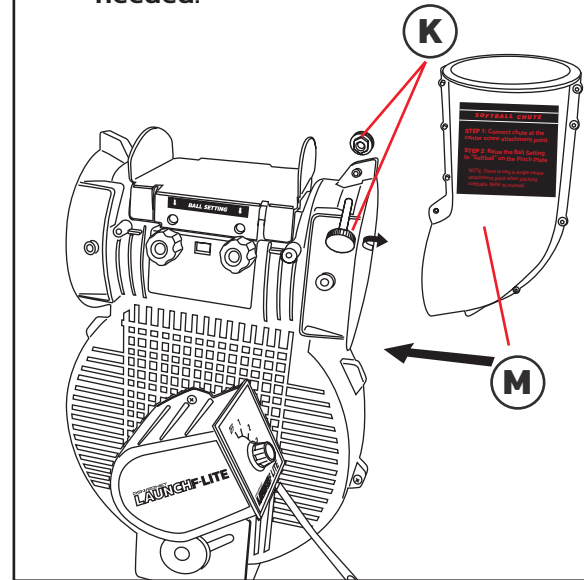
STEP 4

Insert Pinch Pad(H) into Body(G) (H is a tight fit into G, gently push in). Set Pinch Pad(H) to the Softball Setting. Secure Pinch Pad(H) with Ball Setting Adjustment Knobs(I), x4.



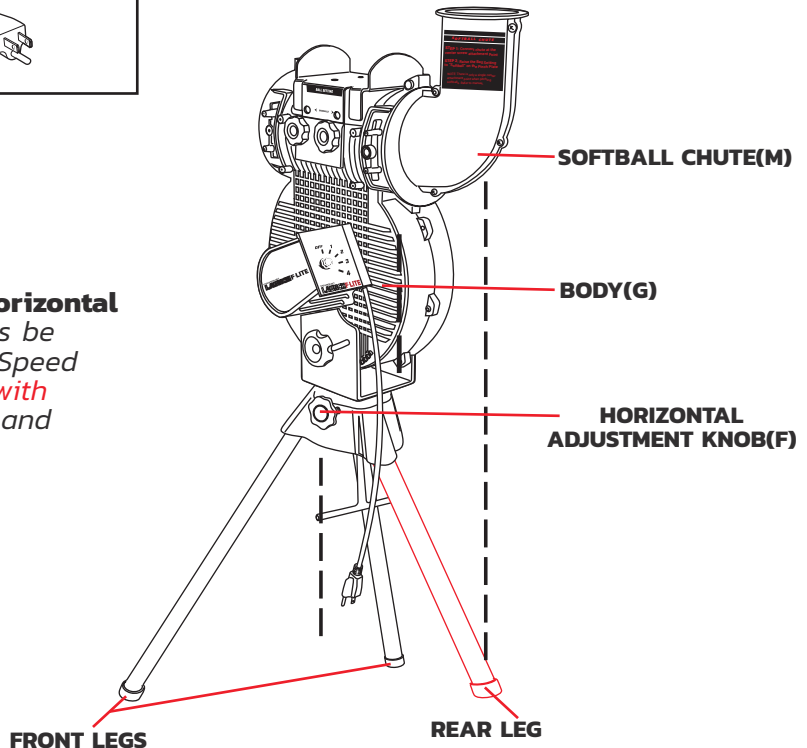
STEP 5

Secure Softball Chute(M) using Center Screw(K). Sides of Softball Chute(M) **DO NOT NEED TO BE SECURED**. Chute Screws(L) not needed.



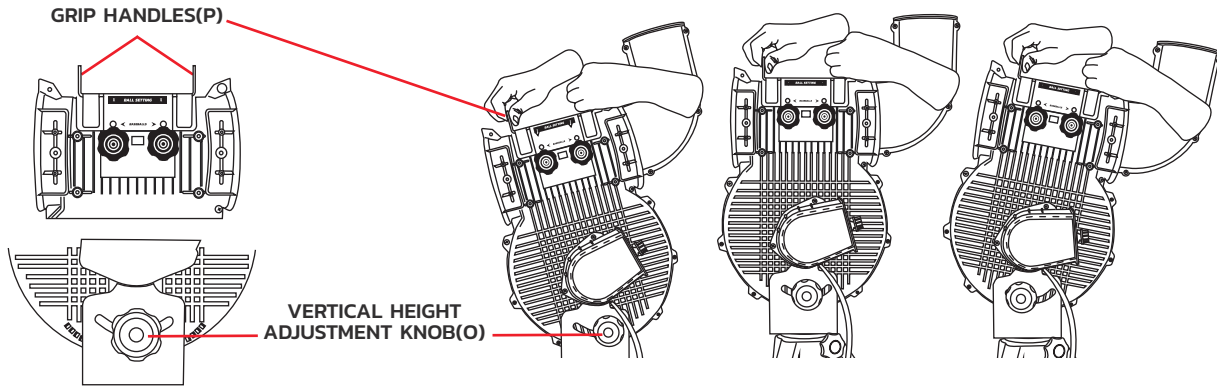
NOTE:

The **Body(G)** needs to be centered between the two front **Legs**. The **Horizontal Adjustment Knob(F)** should always be located on the left side below the Speed Dial. **Rear Leg** should be centered with **Chute(M)**. This helps with stability and minimizes movement.



Softball Setup

ADJUSTING VERTICAL TILT



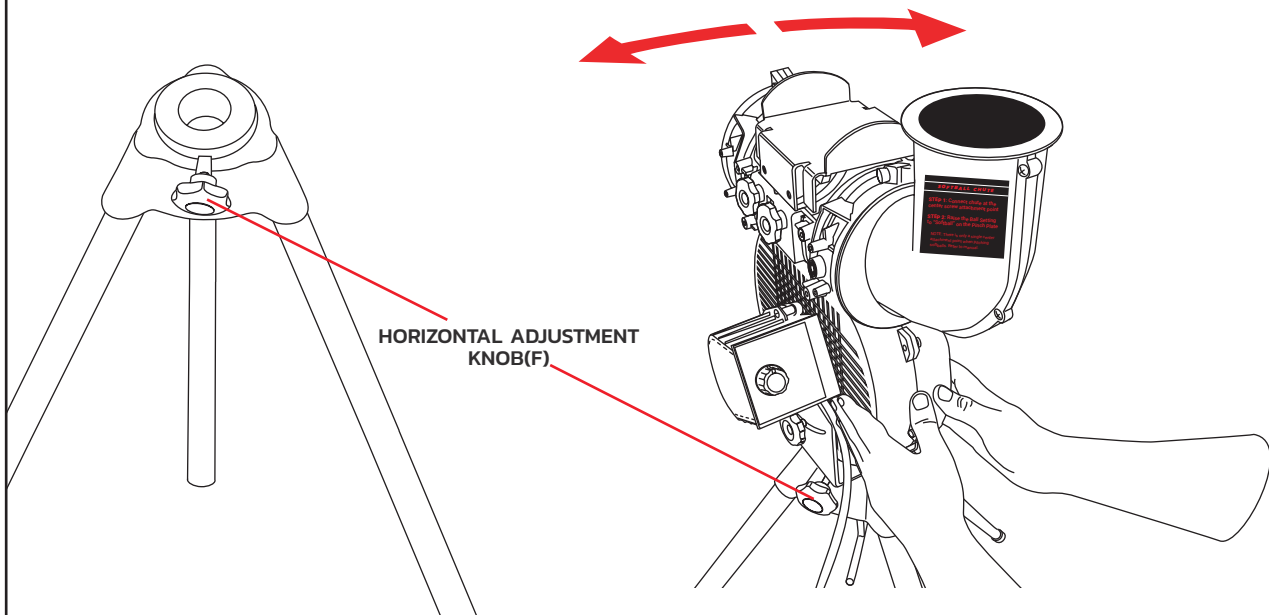
NOTE:

Initially, it may be difficult to adjust the tilt. Apply pressure on the Grip Handles(P) to tilt the machine.

Loosen Vertical Height Adjustment Knob(O) and use Grip Handles(P) to tilt the machine to pitch height preference.

ADJUSTING HORIZONTAL SWIVEL

Loosen Horizontal Adjustment Knob(F) until Body(G) easily swivels side to side. Adjust position to preference and tighten Horizontal Adjustment Knob(F).



Need Extra Practice Balls?

WARNING: THESE ARE THE ONLY BALLS COMPATIBLE WITH YOUR MACHINE DUE TO THEIR WEIGHT AND CONSTRUCTION

POWERNET
LAUNCH F-LITE™
ULTRA LIGHT BALLS



ORDER NOW ON



amazon

TRAINING **Nets.com**
By POWERNET™



DO NOT USE ANY OTHER BALLS

DO NOT USE REGULAR BASEBALLS | SOFTBALLS.

ONLY LAUNCH F-LITE™ ULTRA LIGHT BALLS ARE RECOMMENDED FOR THIS MACHINE.

*****OFF-BRAND DIMPLED AND LIGHT BALLS WILL NOT WORK.*****

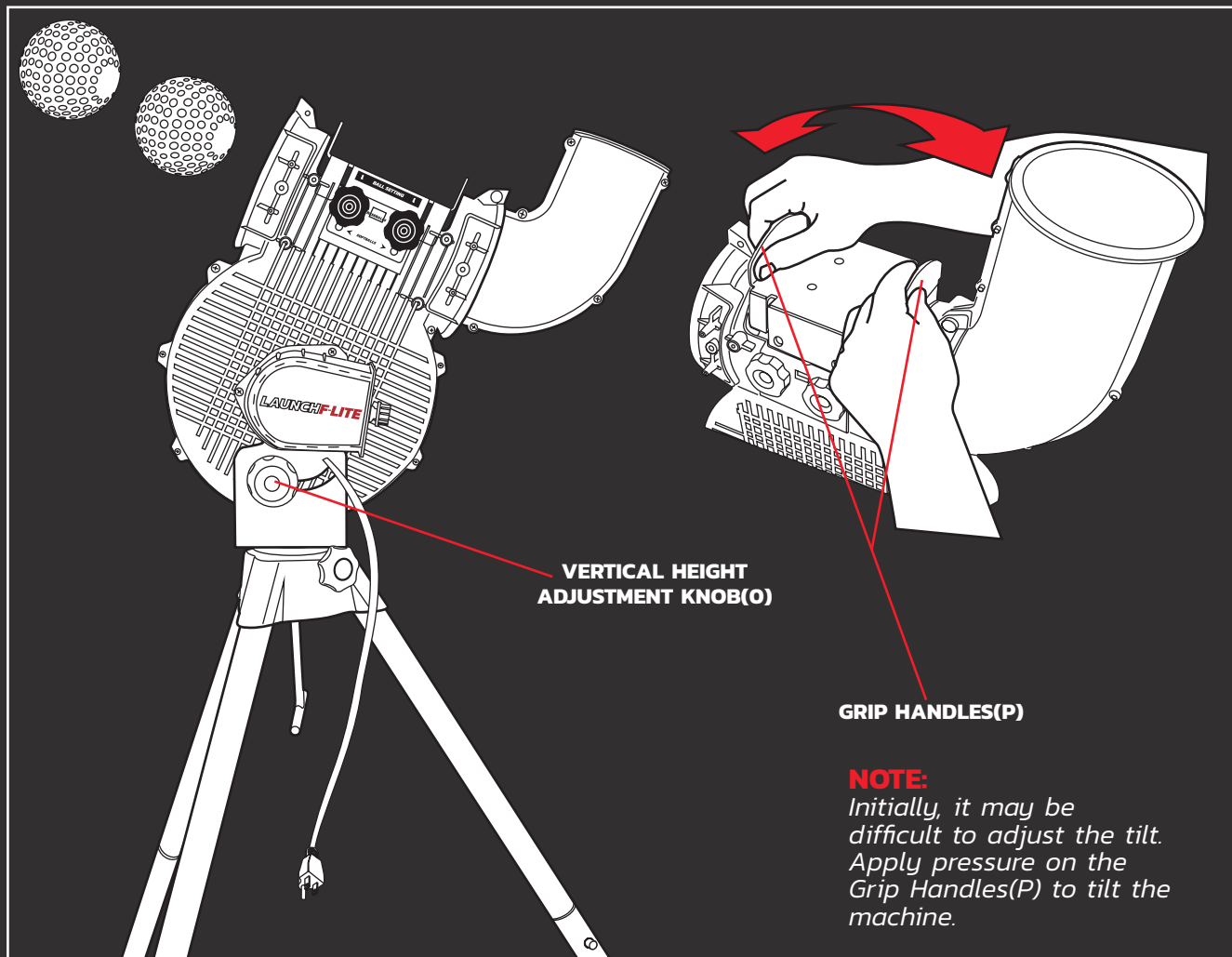
LOWER SPEED PERFORMANCE WILL OCCUR DUE TO WEIGHT AND MATERIAL OF OFF-BRAND BALLS.



USING REGULAR BASEBALLS | SOFTBALLS WILL VOID YOUR WARRANTY!

Pop-Fly Ball Setting

Loosen Vertical Height Adjustment Knob(O) to adjust the tilt. Use the Grip Handles(P) to TILT the BODY UPWARD FOR POP-FLY Balls.



Product Specifications

MOTOR

Variable Speed	4
Volts	120v dc
Amps	3.319a
RPM (no load)	3800rpm
Overload Protection	YES

FRAME

Base Legs and Leg extensions	STEEL TUBING
Base, Base Clamp, and T-Handle Casting	ALUMINUM
Baseball Chute Softball Chute	PLASTIC-ABS

Product Warranty

*****MUST REGISTER PRODUCT TO GUARANTEE WARRANTY*****



VISIT US AT www.TrainingNets.com FOR MORE INFO!

We at PowerNet are proud of the quality and durability of our products and offer a 1 year limited warranty on new, unused PowerNet products purchased through authorized dealers within the USA.

PowerNet's 1 year limited warranty coverage is as follows:

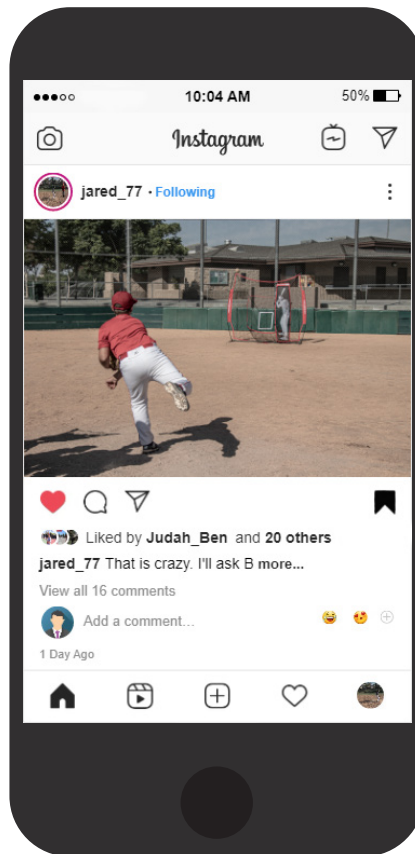
The body, base, legs, motor, and misc. parts are covered for manufacturer defects only. Damages as a result of normal wear and tear or lack of proper storage are not covered.

PowerNet products are designed to be portable and taken down after each use. Any signs of our products being left outside for extended periods of time will not be covered under this limited warranty. Please be advised that PowerNet products are designed for independent recreational use only. For commercial and extended use situations, a replacement part will be offered for purchase with a small shipping fee as these uses void warranty. Please replace defective parts immediately to prevent further damage.

7 Day Challenge

WEAR YOUR **POWERNET WRISTBAND** WHILE TRAINING AND POST TO SOCIAL MEDIA FOR **FREE GEAR**.


SCAN THE QR CODE TO START YOUR CHALLENGE NOW!



TRAINING ROOM

GET THE LATEST TRAINING VIDEOS WITH TEAM POWERNET BY VISITING OUR POWERNET  **YouTube** CHANNEL!



Training Room with Coach Mike  [PLAY ALL](#)



How to throw a 2-Seam Fastball

PowerNet



How to Grip a 4-Seam Fastball

PowerNet



Working on the 4 Quadrants

PowerNet



Baseball | Softball Fielding Drill

PowerNet

Need More Gear?

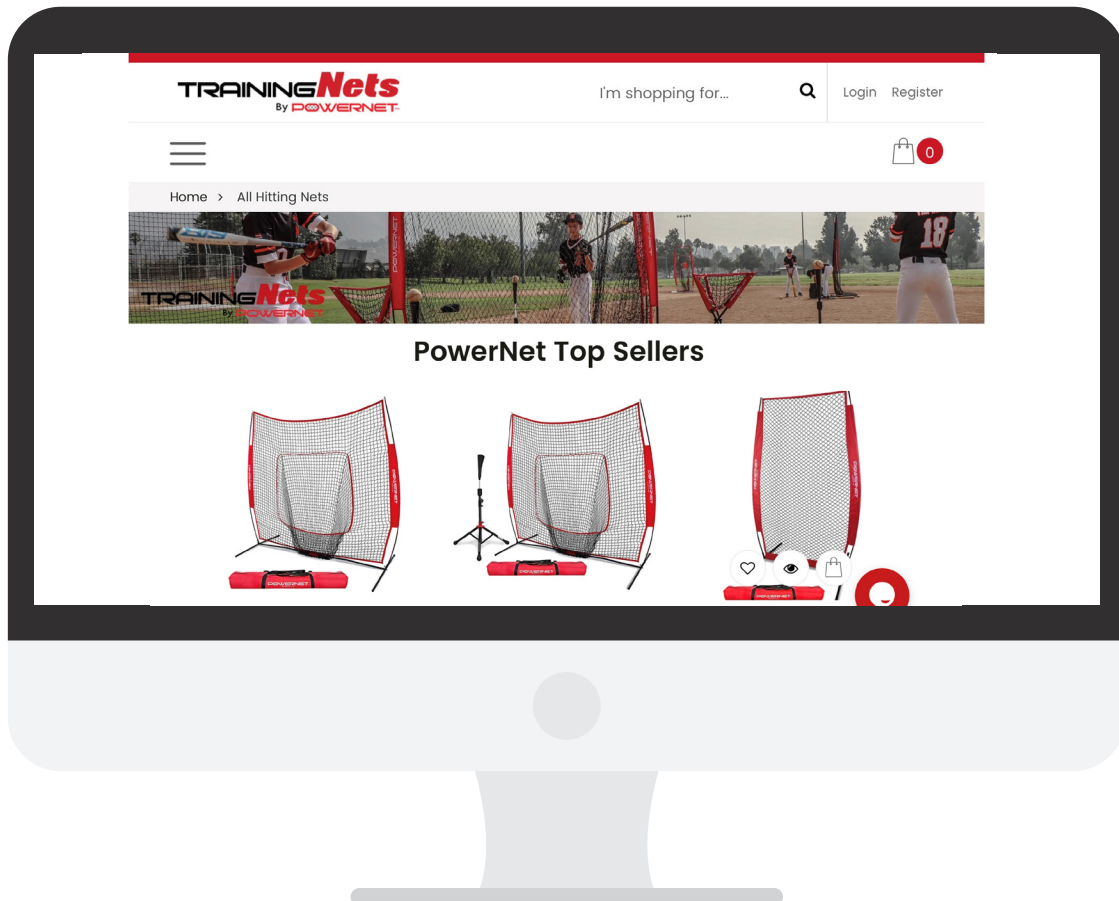
Visit us on **Amazon** by scanning the QR CODE below...



or head over to **www.TrainingNets.com**

Explore TrainingNets.com to...

- Register your product
- Get warranty information
- Contact customer service
- Find product video tutorials
- Download training programs
- Purchase your gear



POWERNET®

FOR SERVICE CALL
POWERNET CUSTOMER SERVICE DEPARTMENT
909-203-5495