



closet shelving

CLT series



CLT51DB

51" wide double hang pole mounted closet
Satin Anodized Aluminum Poles with Satin anodized adjustable aluminum shelves. Single unit mounts with four screws to any wall.
Add more units to fill an entire closet.

applications

Home: office, storage, closet, audio visual
Commercial: schools, hospitals, offices, retail stores, businesses and more.

materials

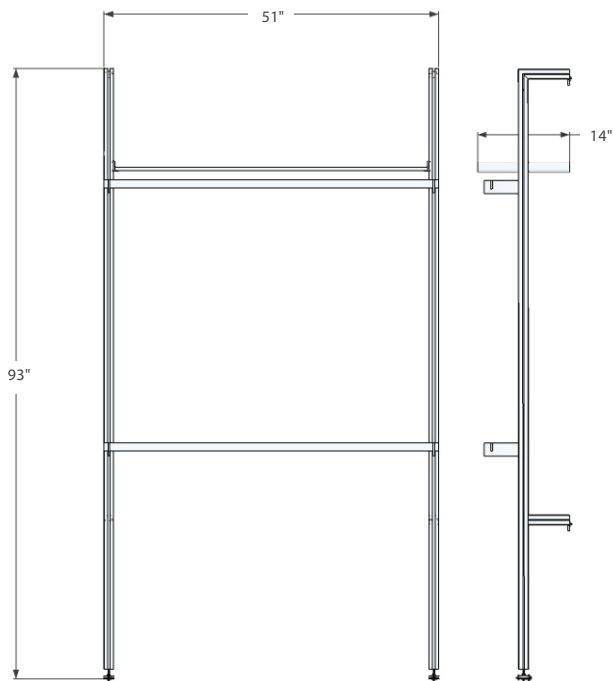
Poles and shelves are made of extruded anodized aluminum and can be custom powder coated.

dimensions

51"W X 93"H X 14"D

load capacity

100 lbs per Shelf



shelves	hardware	sku
satin	satin	CLT51DB-SS

aluminum colors



designed in california. shipped worldwide.

To place an order, visit modernshelving.com or contact us by phone at 1.877.477.5487
For trade inquires or product questions please email sales@modernshelving.com.

modern shelving
san clemente, california | 877.477.5487 | info@modernshelving.com