

General

The OrePHV® is designed to be easily installed between standard 16" on center framing. The OrePHV® has 1-1/2" feet to allow it to integrate perfectly with the base faming to sit level. The integrated side flanges have pre-drilled holes allowing the unit to be securely bolted to the upright frame boards.

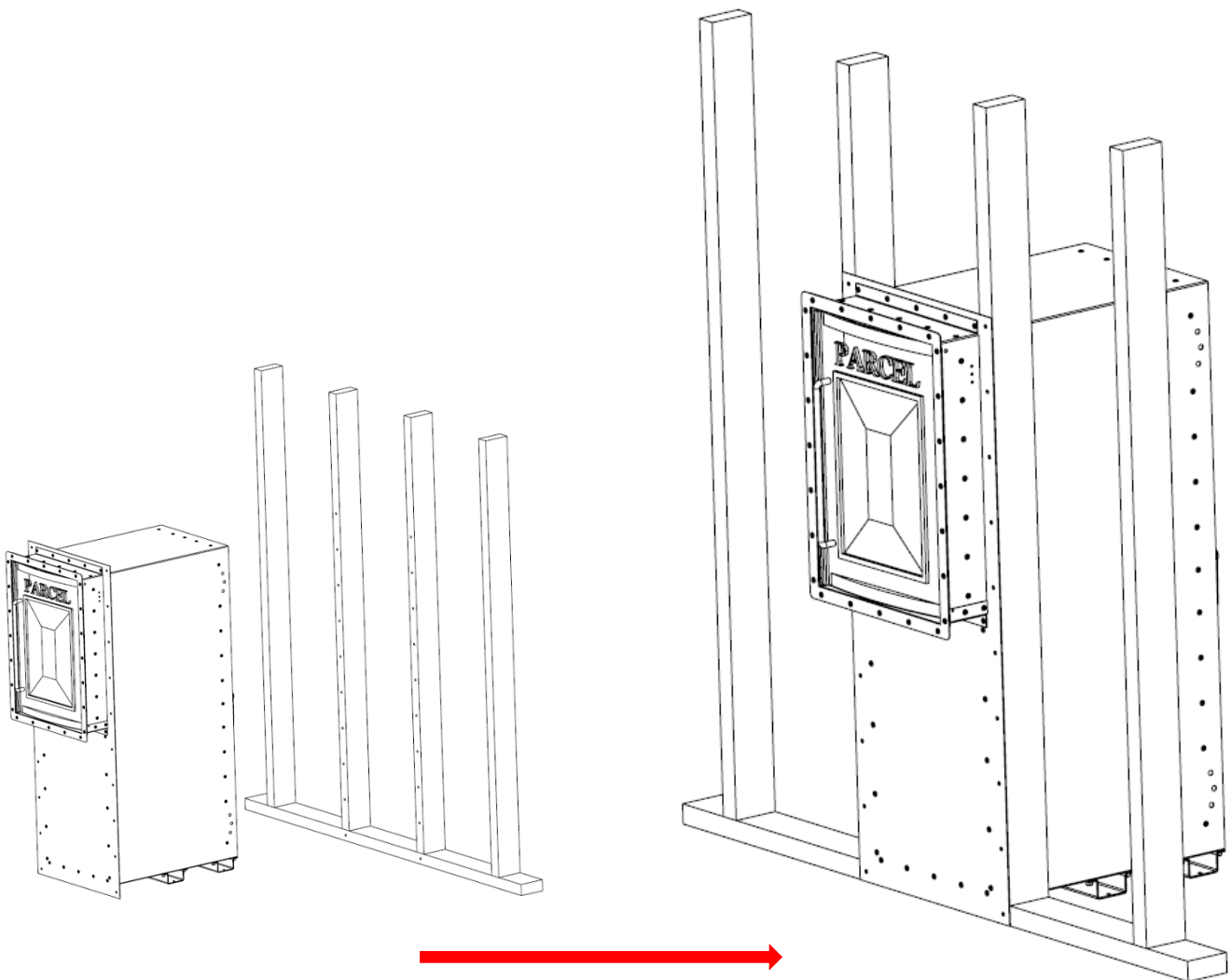
Getting Started

Remove The OrePHV® from its shipping container.

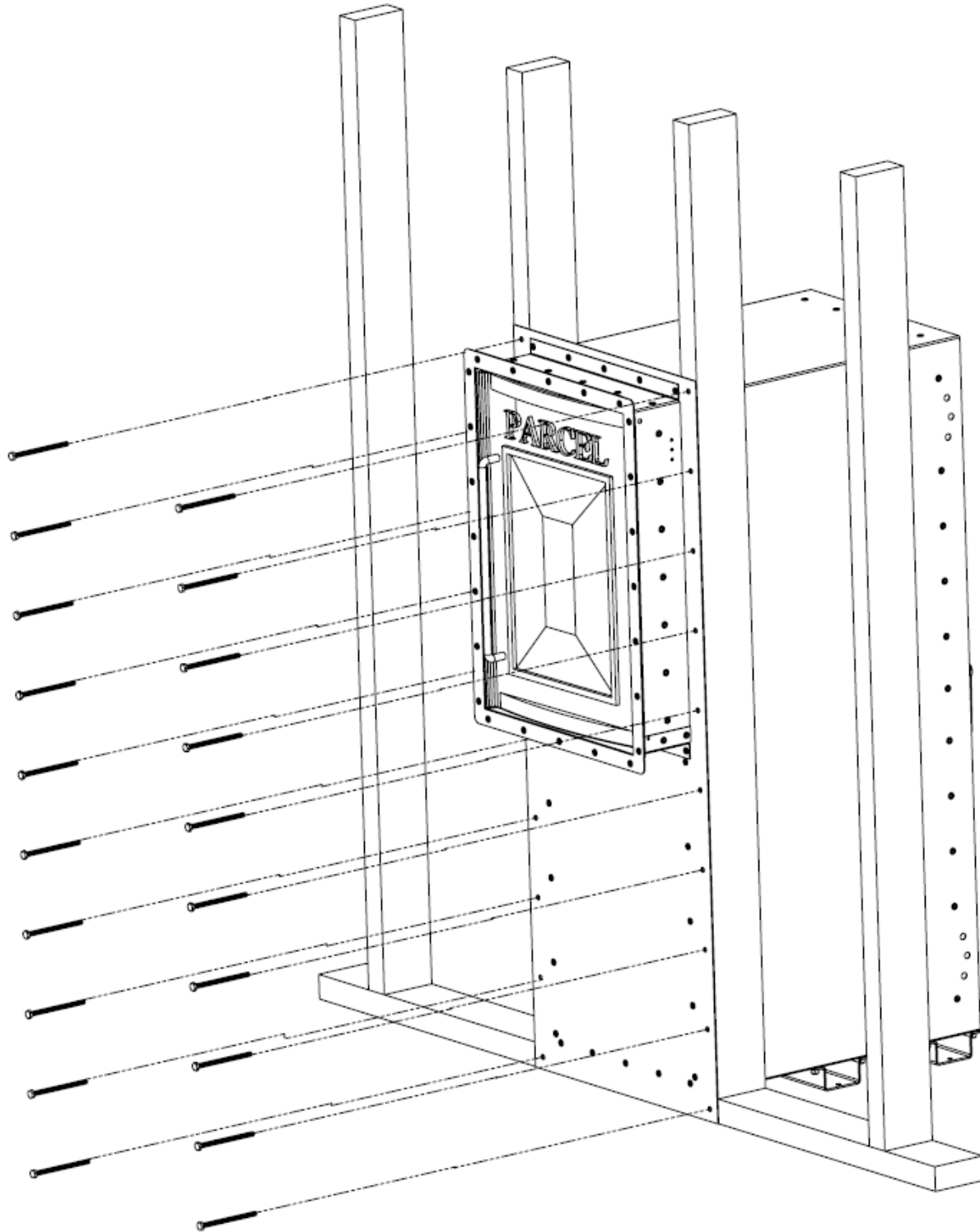
PREPARATION FOR MOUNTING:

We suggest you use 1/4" diameter 2-1/2" long lag bolts.

Step 1: Install OrePHV® between 16" center framing



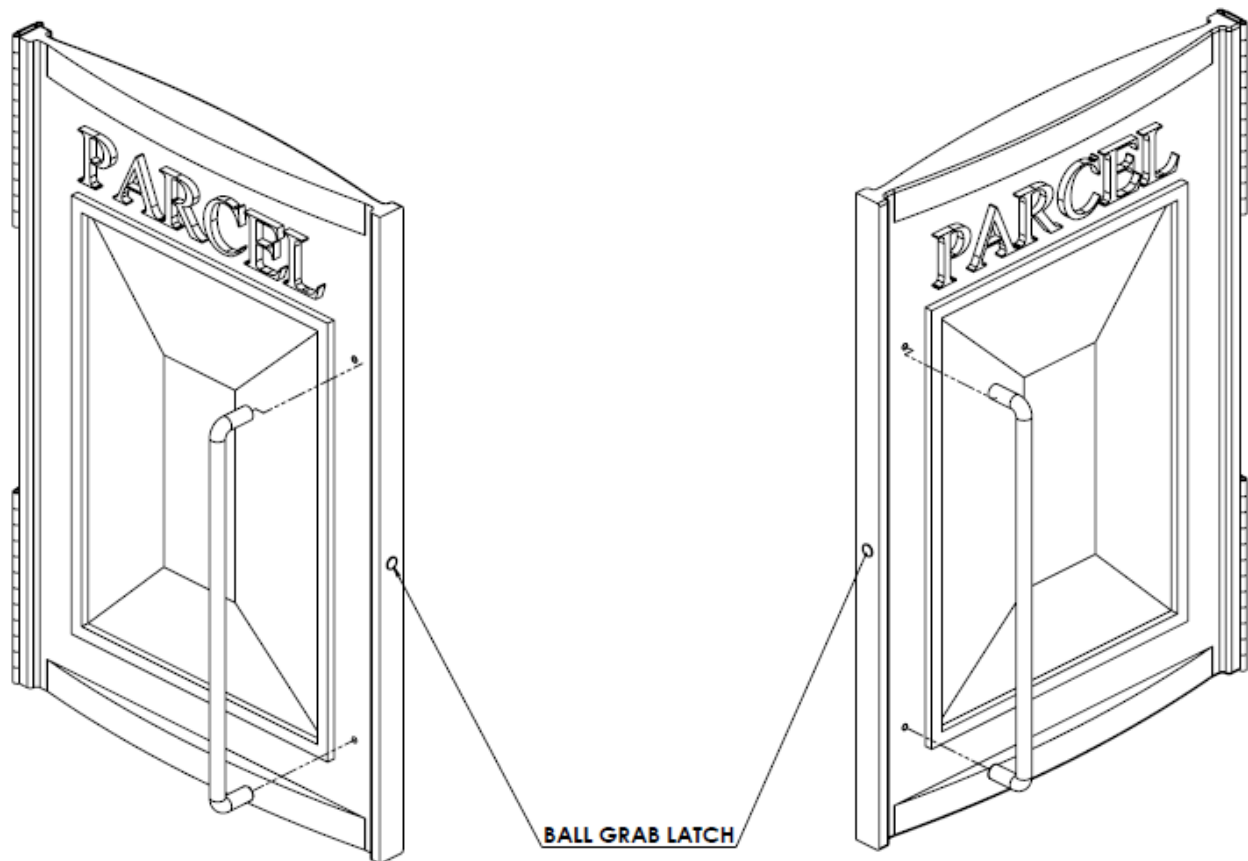
Step 2: Secure OrePHV® to framing with (20x) 1/4" mounting



Step 3: Assemble OrePHV® door hardware per desired configuration

Front Door

Assemble the front door handle to the desired configuration depending on whether it is preferred to open from right-to-left or left-to-right.



Step 4: Finish per desired specifications

