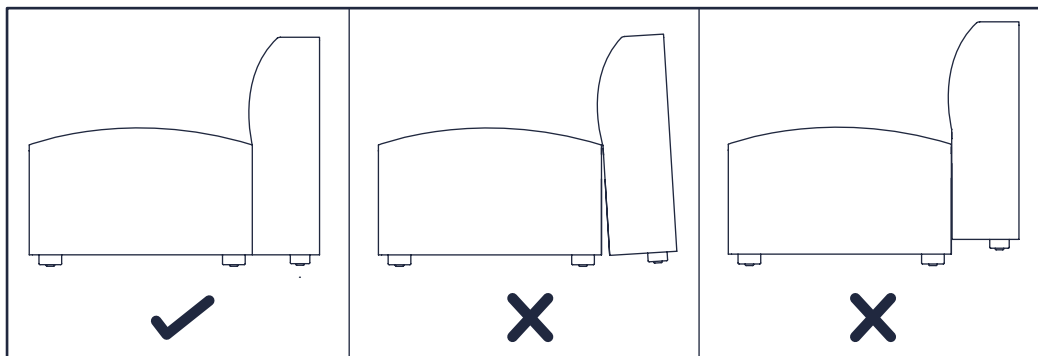
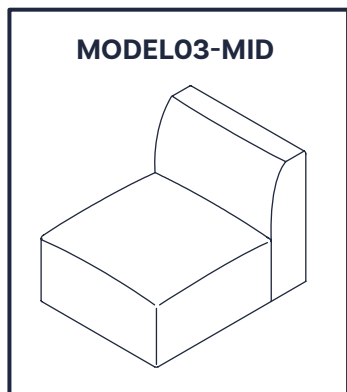
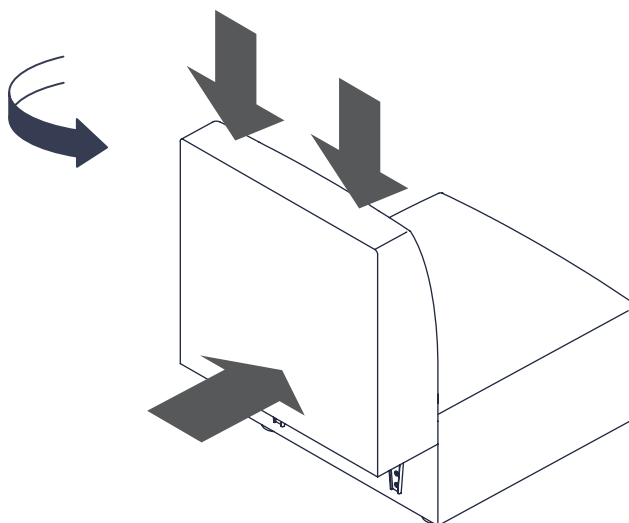
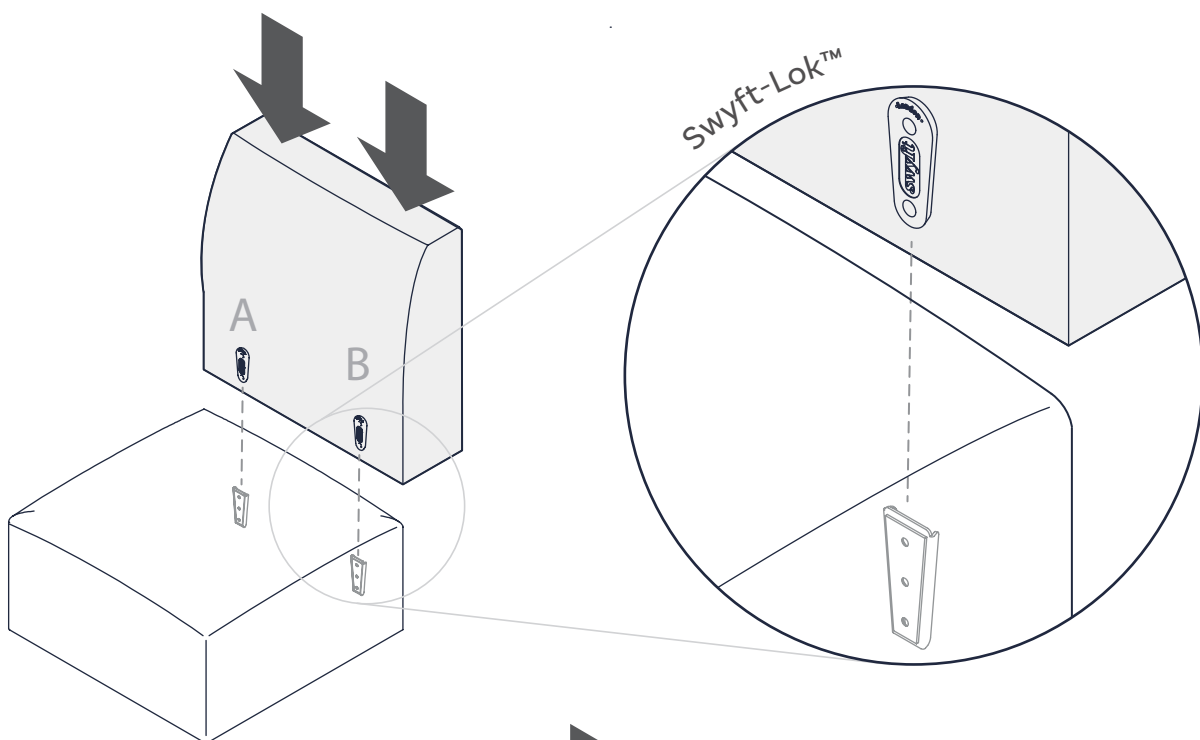


model 03



1



- > Ensure Swyft-Loks are engaged tightly.
- > Push down firmly on top of back (above where Swyft-Loks are located) to ensure a tight connection. Repeat intermittently to ensure a consistently tight fit.
- > Once assembled, do not lift modules by arms or backs. 2 person lift advised.
- > For advice regarding fabric care please visit: swyfthome.com/pages/assembly