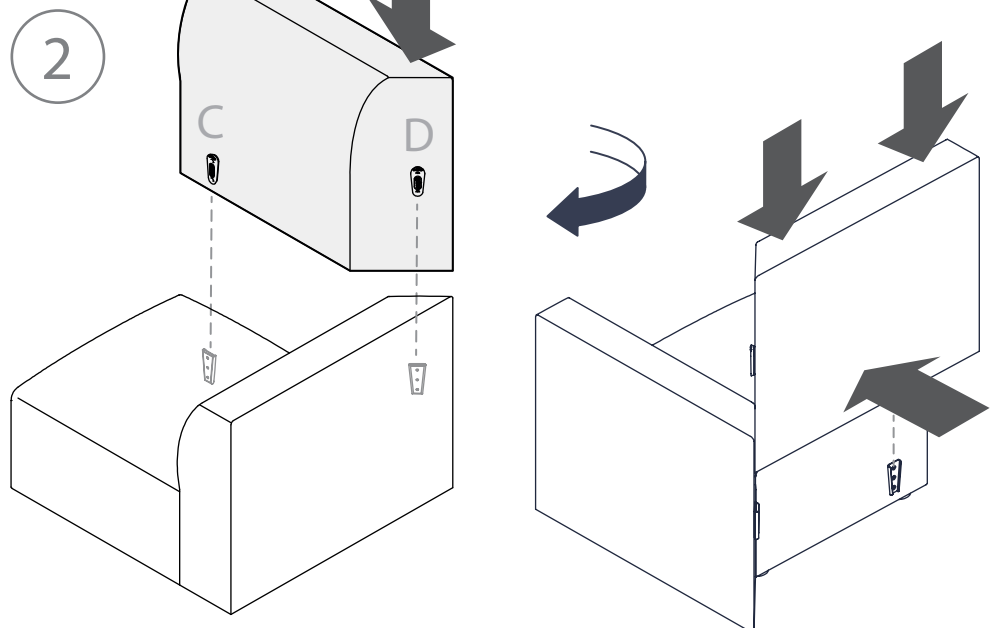
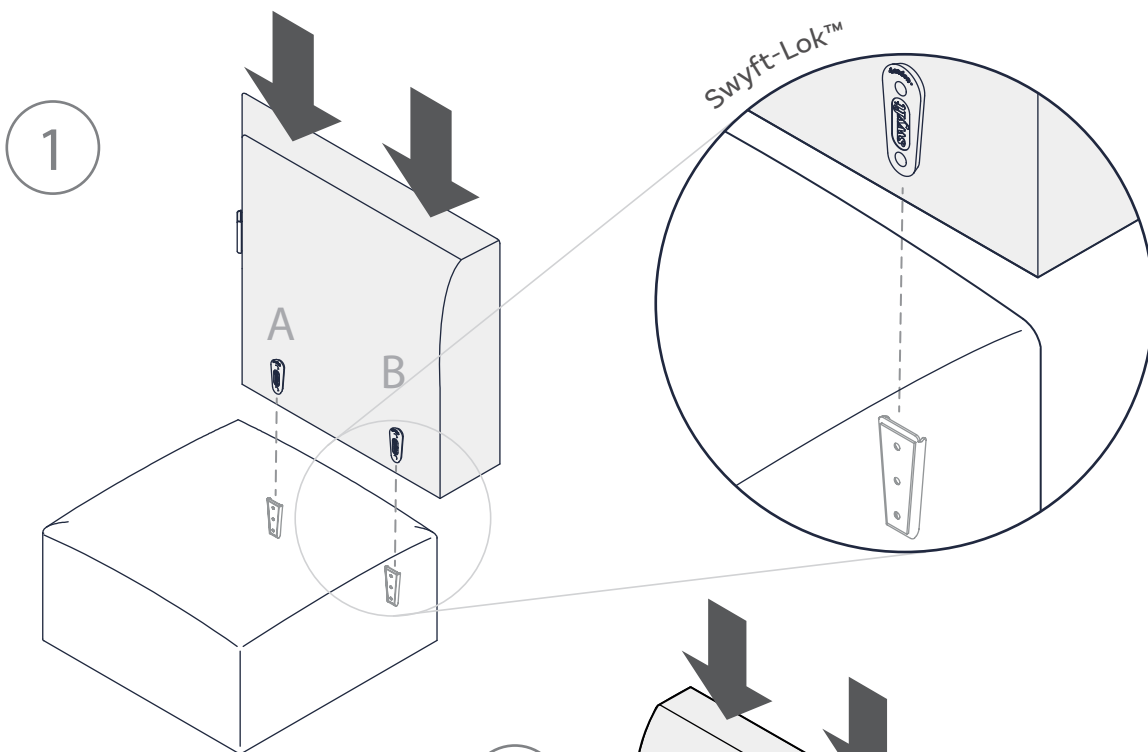
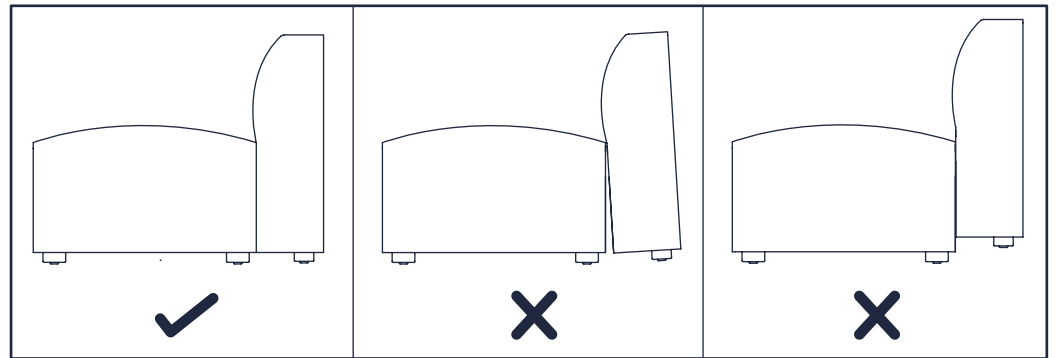
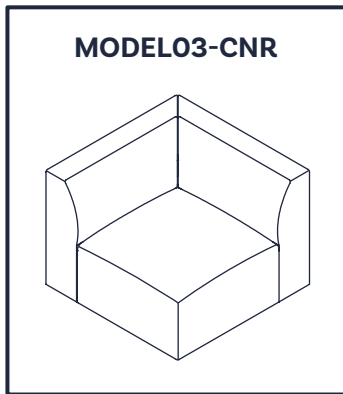


# model 03



- > Ensure Swyft-Loks are engaged tightly.
- > Push down firmly on top of backs (above where Swyft-Loks are located) to ensure a tight connection. Repeat intermittently to ensure a consistently tight fit.
- > Once assembled, do not lift modules by arms or backs. 2 person lift advised.
- > For advice regarding fabric care please visit: [swyfthome.com/pages/assembly](https://www.swyfthome.com/pages/assembly)