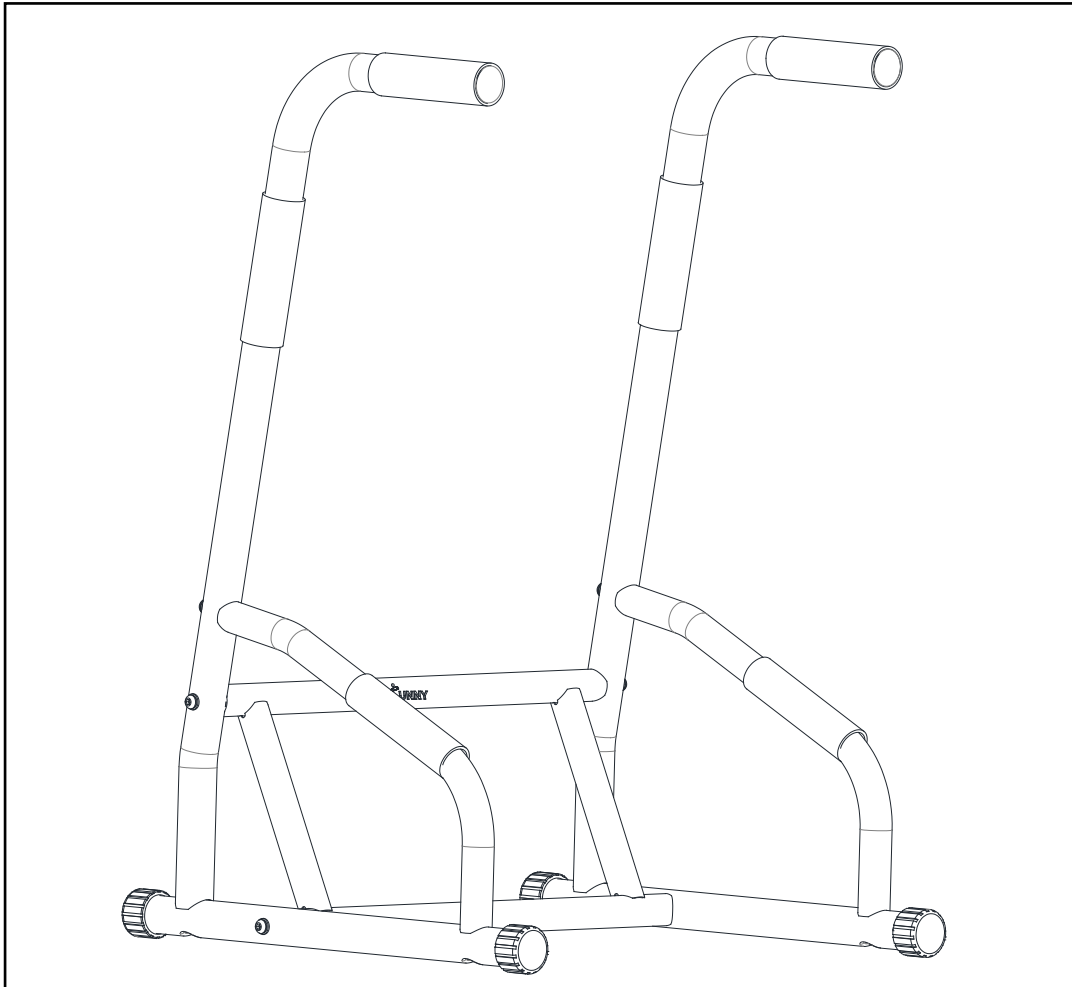




MULTIFUNCTION STRENGTH BAR

SF-XF921050

USER MANUAL



IMPORTANT! Please retain owner's manual for maintenance and adjustment instructions. Your satisfaction is very important to us, **PLEASE DO NOT RETURN UNTIL YOU HAVE CONTACTED US:** support@sunnyhealthfitness.com or 1- 877 - 90SUNNY (877-907-8669).



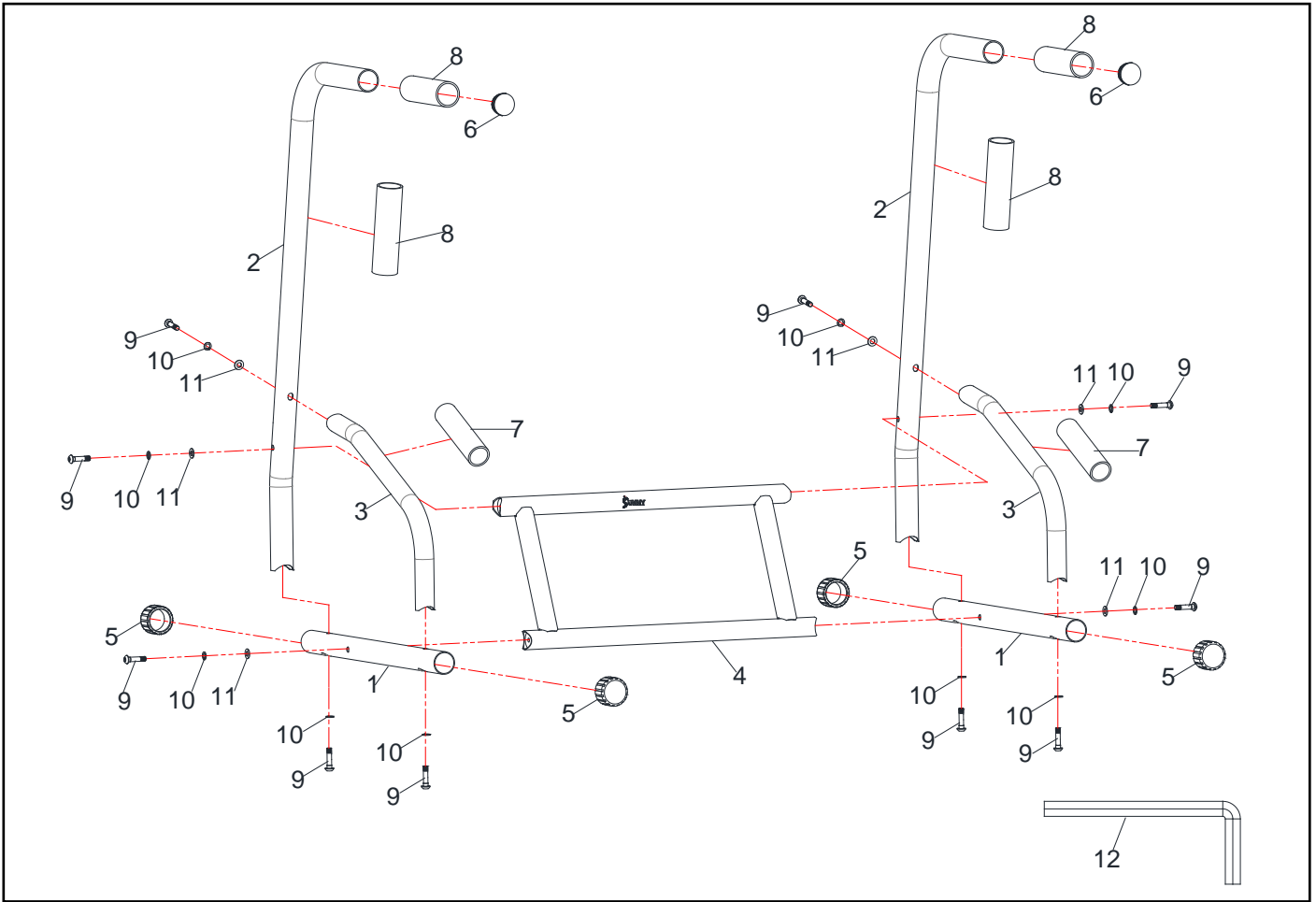
WWW.SUNNYHEALTHFITNESS.COM

IMPORTANT SAFETY INFORMATION


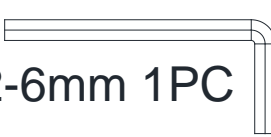


We thank you for choosing our product. To ensure your safety and health, please use this equipment correctly. It is important to read this entire manual before assembling and using the equipment. Safe and effective use can only be achieved if the equipment is assembled, maintained, and used properly. It is your responsibility to ensure that all users of the equipment are informed of all warnings and precautions.

1. Before starting any exercise program, you should consult your physician to determine if you have any medical or physical conditions that could put your health and safety at risk or prevent you from using the equipment properly. Your physician's advice is essential if you are taking medication that affects your heart rate, blood pressure, or cholesterol level.
2. Be aware of your body's signals. Incorrect or excessive exercise can damage your health. Stop exercising if you experience any of the following symptoms: pain, tightness in your chest, irregular heartbeat, shortness of breath, lightheadedness, dizziness, or feelings of nausea. If you do experience any of these conditions, you should consult your physician before continuing with your exercise program.
3. Keep children and pets away from the equipment. The equipment is designed for adult use only.
4. Use the equipment on a solid, flat level surface with a protective cover for your floor or carpet. To ensure safety, the equipment should have at least 2 feet (60 CM) of free space all around it.
5. Ensure that all nuts and bolts are securely tightened before using the equipment. The safety of the equipment can only be maintained if it is regularly examined for damage and/or wear and tear.
6. Always use the equipment as indicated. If you find any defective components while assembling or checking the equipment, or if you hear any unusual noises coming from the equipment during exercise, discontinue use of the equipment immediately and do not use until the problem has been rectified.
7. Wear suitable clothing while using the equipment. Avoid wearing loose clothing that may become entangled in the equipment.
8. Do not place fingers or objects into the moving parts of the equipment.
9. The maximum weight capacity of this unit is 660 pounds (300KG).
10. The equipment is not suitable for therapeutic use.
11. To avoid bodily injury and/or damage to the product or property, proper lifting and moving are required.
12. Your product is intended for use in cool and dry conditions. You should avoid storage in extreme cold, hot or damp areas as this may lead to corrosion and other related problems.
13. This equipment is designed for indoor and home use only; it is not intended for commercial use.

EXPLODED DIAGRAM



HARDWARE PACKAGE

	#9-M8*50mm 10PCS	
	#10-M8 10PCS	#12-6mm 1PC
	#11- ϕ 16* ϕ 8.5*1.5mm 6PCS	

PARTS LIST

No.	Description	Spec.	Qty.
1	Stabilizer Frame		2
2	Parallel Tube		2
3	Support Tube		2
4	Connection Frame		1
5	Round End Cap	∅ 38	4
6	Round End Cap	∅ 38*2.0	2

No.	Description	Spec.	Qty.
7	Foam Grip	∅ 26*5*150mm	2
8	Foam Grip	∅ 32*5*150mm	4
9	Hex Socket Head Bolt	M8*50mm	10
10	Spring Washer	M8	10
11	Flat Washer	∅ 16* ∅ 8.5*1.5mm	6
12	Allen Wrench	6mm	1

Ordering Replacement Parts (U.S. and Canadian Customers only)

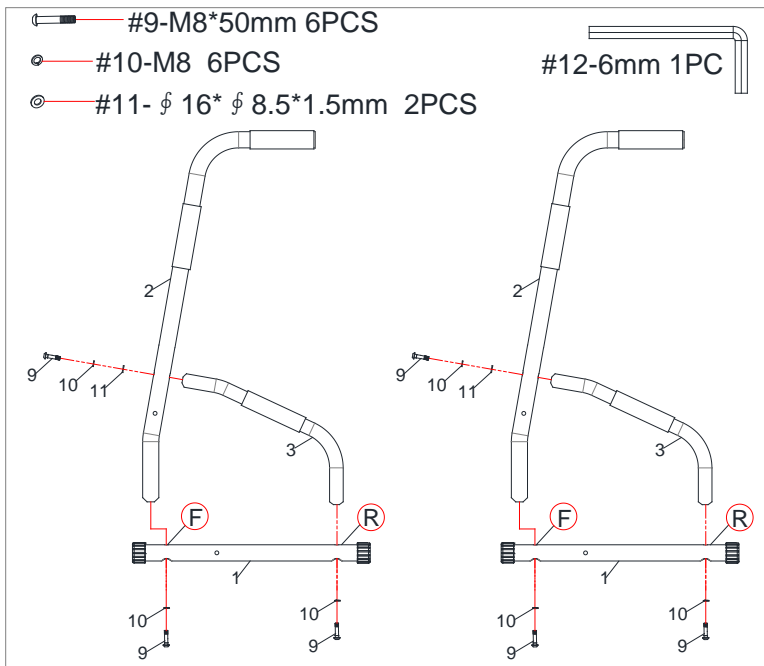
Please provide the following information in order for us to accurately identify the part(s) needed:

- ✓ The model number (found on cover of manual)
- ✓ The product name (found on cover of manual)
- ✓ The part number found on the “EXPLODED DIAGRAM” and “PARTS LIST” (found near the front of the manual)

Please contact us at support@sunnyhealthfitness.com or 1- 877 - 90SUNNY (877-907-8669).

ASSEMBLY INSTRUCTIONS

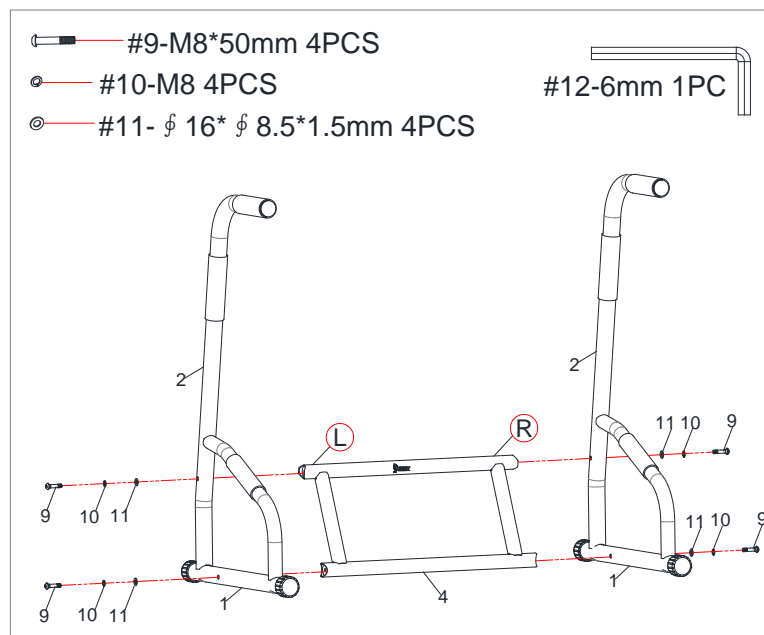
We value your experience using Sunny Health and Fitness products. For assistance with parts or troubleshooting, please contact us at support@sunnyhealthfitness.com or 1-877-90SUNNY (877-907-8669).



STEP 1:

Attach 2 **Parallel Tubes (No. 2)** and 2 **Support Tubes (No. 3)** to 2 **Stabilizer Frames (No. 1)** respectively using 6 **Hex Socket Head Bolts (No. 9)**, 6 **Spring Washers (No. 10)** and 2 **Flat Washers (No. 11)**. Secure with 1 **Allen Wrench (No. 12)**. Do not tighten the 6 **Hex Socket Head Bolts (No. 9)** all the way during this step.

NOTE: The side of **Stabilizer Frames (No. 1)** with 2 holes should be assembled to the 2 **Parallel Tubes (No. 2)**.



STEP 2:

Attach the **Connection Frame (No. 4)** to the 2 assembled **Parallel Tubes (No. 2)** using 4 **Hex Socket Head Bolts (No. 9)**, 4 **Spring Washers (No. 10)** and 4 **Flat Washers (No. 11)**. Tighten and secure with 1 **Allen Wrench (No. 12)**.

Now you can tighten all the **Hex Socket Head Bolts (No. 9)** from **STEP 1**.

NOTE: The **SUNNY** logo on **Connection Frame (No. 4)** should be facing up.

The assembly is complete!

MAINTENANCE INSTRUCTIONS

DAILY MAINTENANCE

Inspect and tighten all parts regularly. (Nuts, Bolts, Rubber Pads, Steel Brackets, etc.)

Replace any worn or torn parts immediately.

Check and ensure the equipment is leveled at all time.

Check and tighten all adjustment pins/knobs regularly.

WEEKLY MAINTENANCE

Use damp cloth on plastic parts only, use dry cloth on metal frames.

Inspect the metal frame structure of the equipment.

CONNECT WITH US

FOR FITNESS
ARTICLES, VIDEOS
& WORKOUTS



@SUNNYHEALTHANDFITNESS



@SUNNYHEALTHFITNESS



@SUNNYHEALTHFIT



/SUNNYHEALTHFITNESS



/SUNNYHEALTHANDFITNESS

WWW.SUNNYHEALTHFITNESS.COM